

EDCON-COMPONENTS

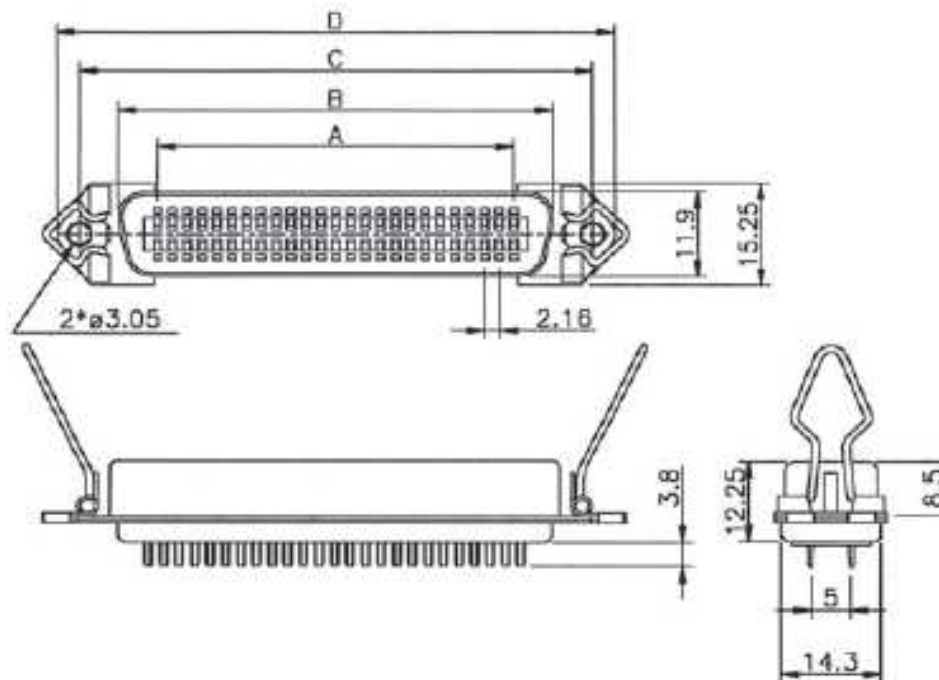


Specifications

Voltage Rating: 250VAC
 Current Rating: 1A
 Operating Temperature: -40°C ~ +105°C
 Contact Resistance: 20mΩ min.
 Withstanding Voltage: 1000V AC
 Insulation Resistance: 1000MΩ min

Insulator Material: PBT, UL 94V-0
 Contact Material: Brass
 Contact Plating: Ni, /Au/Sn

Drawing (dimensions all into mm)



**Centronic Connector for
Cable assembly**

Part No.: **T17006**

DRW:	Jason	CHKD	Wilson	MATL:	Wilson	TOLERANCE	Mason	DATE	29.09.2014
APPD:	Schumi			FINISH	Jamy		Sheet No.	1 from 3	Customer:

EDCON-COMPONENTS



Ordering Informations

Serie	Number of Pos.	Version	Latches	Special function	ROHS Conform	Packing				
-------	----------------	---------	---------	------------------	--------------	---------	--	--	--	--

T17006	14	M	N	N	R	TY				
---------------	-----------	----------	----------	----------	----------	-----------	--	--	--	--

xx = Pos.	M= Male Connector	N= without latches	N= No special function	R= Rohs conform	TY= Tray Packing				
	F= Female Connector	Y= with latches		N= NON Rohs conf.	IV= Individual Packing				

Centronic Connector for Cable assembly

Part No.: **T17006**

DRW:	Jason	CHKD	Wilson	MATL:	Wilson	TOLERANCE	Mason	DATE	29.09.2014
APPD:	Schumi			FINISH	Jamy		Sheet No.		3 from 3

Customer: