

# EDCON-COMPONENTS

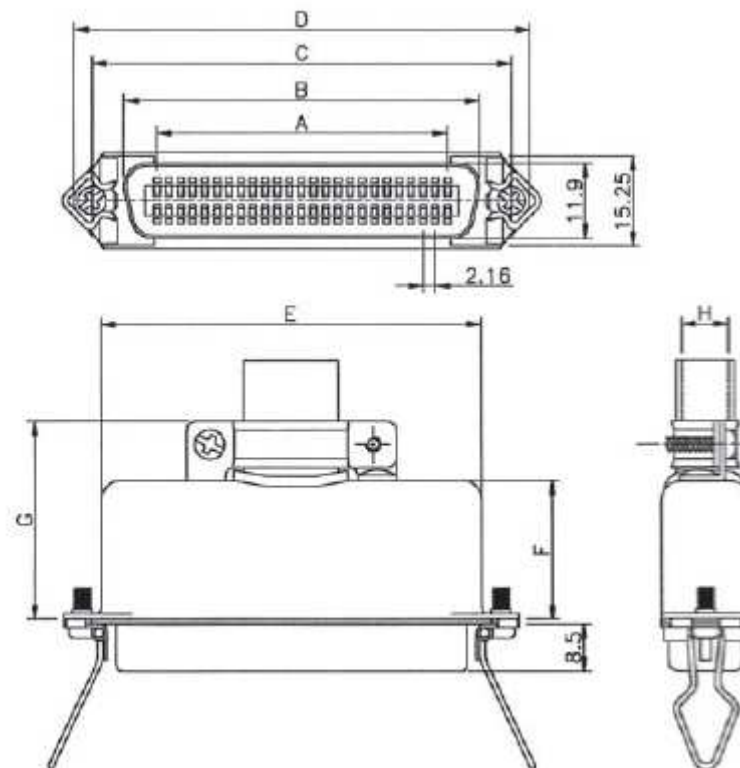


## Specifications

Voltage Rating: 250VAC  
 Current Rating: 1A  
 Operating Temperature: -40°C ~ +105°C  
 Contact Resistance: 20mΩ min.  
 Withstanding Voltage: 1000V AC  
 Insulation Resistance: 1000MΩ min

Insulator Material: PBT, UL 94V-0  
 Contact Material: Brass  
 Contact Plating: Ni, /Au/Sn

## Drawing ( dimensions all into mm)



**Centronic Connector for  
Cable assembly w. Hood**

Part No.: **T17005**

Customer:

DRW:	Jason	CHKD	Wilson	MATL:	Wilson	TOLERANCE	Mason	DATE	18.07.2013
APPD:	Schumi			FINISH	Jamy		Sheet No.		1 from 3

[www.edcon-components.com](http://www.edcon-components.com)

email: [info@edcon-components.com](mailto:info@edcon-components.com)

# EDCON-COMPONENTS



## Dimension Information about Housing

Pos.	Female Dimension (mm)							
	A	B	C	D	E	F	G	H
36	36,72	48,90	59,70	67,70	52,80	23,00	33,10	11,50
50	51,84	64,10	74,90	82,80	68,00	25,00	35,50	12,50

<b>Centronic Connector for Cable assembly w. Hood</b>	
Part No.:	<b>T17005</b>
Customer:	

DRW:	Jason	CHKD	Wilson	MATL:	Wilson	TOLERANCE	Mason	DATE	18.07.2013
APPD:	Schumi			FINISH	Jamy		Sheet No.	2 from 3	

# EDCON-COMPONENTS



## Ordering Informations

Serie	Number of Pos.	Version	Latches	Special function	ROHS Conform	Packing				
-------	----------------	---------	---------	------------------	--------------	---------	--	--	--	--

<b>T17005</b>	<b>36</b>	<b>F</b>	<b>N</b>	<b>N</b>	<b>R</b>	<b>TY</b>				
---------------	-----------	----------	----------	----------	----------	-----------	--	--	--	--

<b>xx = Pos.</b>	<b>F= Female Connector</b>	<b>N= without latches</b>	<b>N= No special function</b>	<b>R= Rohs conform</b>	<b>TY= Tray Packing</b>				
		<b>Y= with latches</b>		<b>N= NON Rohs conf.</b>	<b>IV= Individual Packing</b>				

**Centronic Connector for Cable assembly w. Hood**

Part No.: **T17005**

DRW:	Jason	CHKD	Wilson	MATL:	Wilson	TOLERANCE	Mason	DATE	18.07.2013	Customer:
APPD:	Schumi			FINISH	Jamy		Sheet No.	3 from 3		