

# EDCON-COMPONENTS



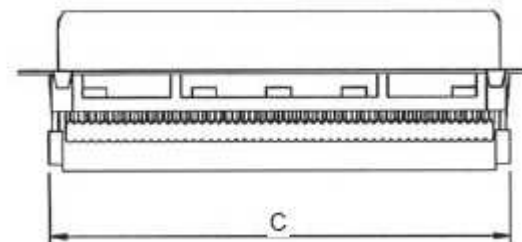
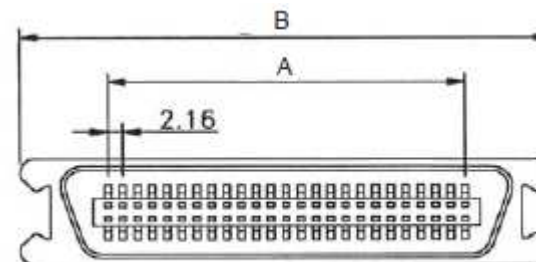
## Specifications

Voltage Rating: 250VAC  
 Current Rating: 1A  
 Operating Temperature: -40°C ~ +105°C  
 Contact Resistance: 20mΩ min.  
 Withstanding Voltage: 1000V AC  
 Insulation Resistance: 1000MΩ min

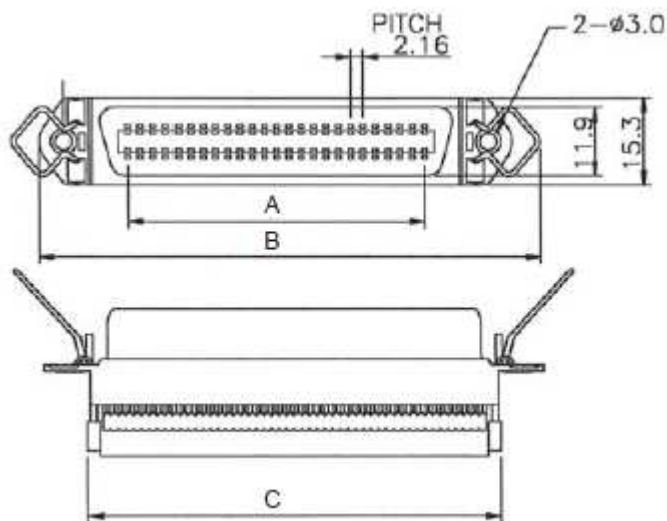
Insulator Material: PBT, UL 94V-0  
 Contact Material: Brass  
 Contact Plating: Ni, /Au/Sn

## Drawing ( dimensions all into mm)

### Male



### Female



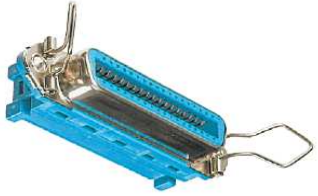
**Centronic Connector for Flat-Cable assembly**

Part No.: **T17003**

Customer:

DRW:	Jason	CHKD	Wilson	MATL:	Wilson	TOLERANCE	Mason	DATE	18.07.2013
APPD:	Schumi			FINISH	Jamy		Sheet No.	1 from 3	

# EDCON-COMPONENTS



## Dimension Information about Housing

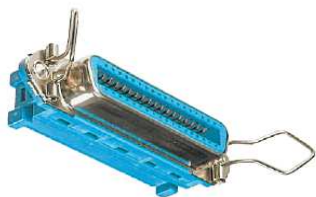
	Female Dimension (mm)					
Pos.	A	B	C	D	E	F
36	36,72	37,80	53,30			
50	51,84	82,80	68,50			

	Male Dimension (mm)					
Pos.	A	B	C	D	E	F
36	36,72	61,60	53,30			
50	51,84	76,70	68,50			

<b>Centronic Connector for Flat-Cable assembly</b>	
Part No.:	<b>T17003</b>
Customer:	

DRW:	Jason	CHKD	Wilson	MATL:	Wilson	TOLERANCE	Mason	DATE	18.07.2013
APPD:	Schumi			FINISH	Jamy		Sheet No.		2 from 3

# EDCON-COMPONENTS



## Ordering Informations

Serie	Number of Pos.	Version	Latches	Special function	ROHS Conform	Packing				
-------	----------------	---------	---------	------------------	--------------	---------	--	--	--	--

<b>T17003</b>	<b>36</b>	<b>M</b>	<b>N</b>	<b>N</b>	<b>R</b>	<b>TY</b>				
---------------	-----------	----------	----------	----------	----------	-----------	--	--	--	--

<b>xx = Pos.</b>	<b>M= Male Connector</b>	<b>N= without latches</b>	<b>N= No special function</b>	<b>R= Rohs conform</b>	<b>TY= Tray Packing</b>				
	<b>F= Female Connector</b>	<b>Y= with latches</b>		<b>N= NON Rohs conf.</b>	<b>IV= Individual Packing</b>				

**Centronic Connector for Flat-Cable assembly**

Part No.: **T17003**

DRW:	Jason	CHKD	Wilson	MATL:	Wilson	TOLERANCE	Mason	DATE	18.07.2013
APPD:	Schumi			FINISH	Jamy		Sheet No.		3 from 3

Customer: