

EDCON-COMPONENTS

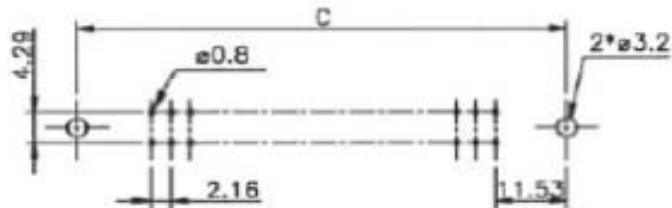


Specifications

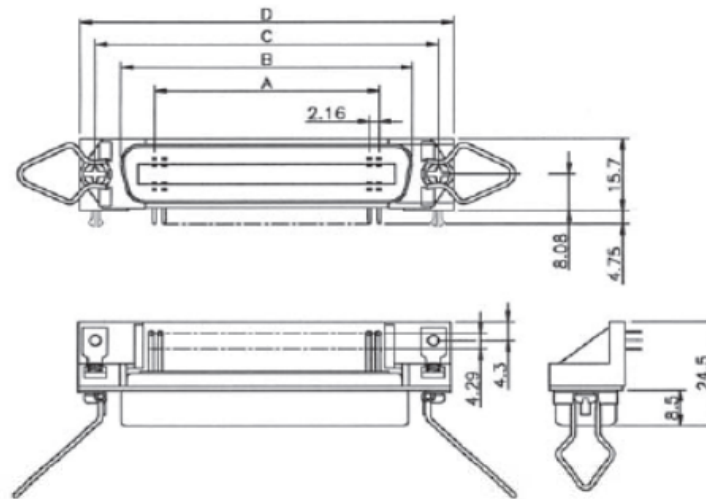
Voltage Rating: 250VAC
 Current Rating: 1A
 Operating Temperature: -40°C ~ +105°C
 Contact Resistance: 20mΩ min.
 Withstanding Voltage: 1000V AC
 Insulation Resistance: 1000MΩ min

Insulator Material: PBT, UL 94V-0
 Contact Material: Brass
 Contact Plating: Ni, /Au/Sn

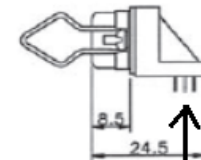
PCB Layout



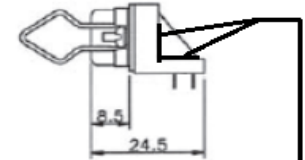
Drawing (dimensions all into mm)



Boardlock function



A = Snap-In Fork



B = L-Shape w. UNC-Thread

Centronic Connector for PCB assembly

Part No.: **T17002**

DRW:	Jason	CHKD	Wilson	MATL:	Wilson	TOLERANCE	Mason	DATE	24.10.2018
APPD:	Schumi			FINISH	Jamy		Sheet No.	1 from 3	

Customer:

EDCON-COMPONENTS



Dimension Information about Housing

Pos.	Dimension (mm)					
	A	B	C	D	E	F
14	12,96	25,10	36,00	44,00		
24	23,76	35,80	46,80	54,76		
36	35,72	48,90	59,70	67,82		
50	51,84	64,06	74,90	82,92		

Centronic Connector for PCB assembly	
Part No.:	T17002
Customer:	

DRW:	Jason	CHKD	Wilson	MATL:	Wilson	TOLERANCE	Mason	DATE	24.10.2018
APPD:	Schumi			FINISH	Jamy		Sheet No.		2 from 3

EDCON-COMPONENTS



Ordering Informations

Serie	Number of Pos.	Version	Latches	Boardlock function	ROHS Conform	Packing				
-------	----------------	---------	---------	--------------------	--------------	---------	--	--	--	--

T17002	XX	M	N	X	R	TY				
---------------	-----------	----------	----------	----------	----------	-----------	--	--	--	--

xx = Pos. like table	M= Male Connector	N= without latches	N= No special function A= with mounted Solder Fork B= fixed L-Shape with UNC-Thread	R= Rohs conform	TY= Tray Packing				
	F= Female Connector	Y= with latches		N= NON Rohs conf.	IV= Individual Packing				

Centronic Connector for PCB assembly	
Part No.:	T17002
Customer:	

DRW:	Jason	CHKD	Wilson	MATL:	Wilson	TOLERANCE	Mason	DATE	24.10.2018
APPD:	Schumi			FINISH	Jamy		Sheet No.		3 from 3