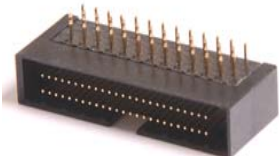


# EDCON-COMPONENTS



## Specifications

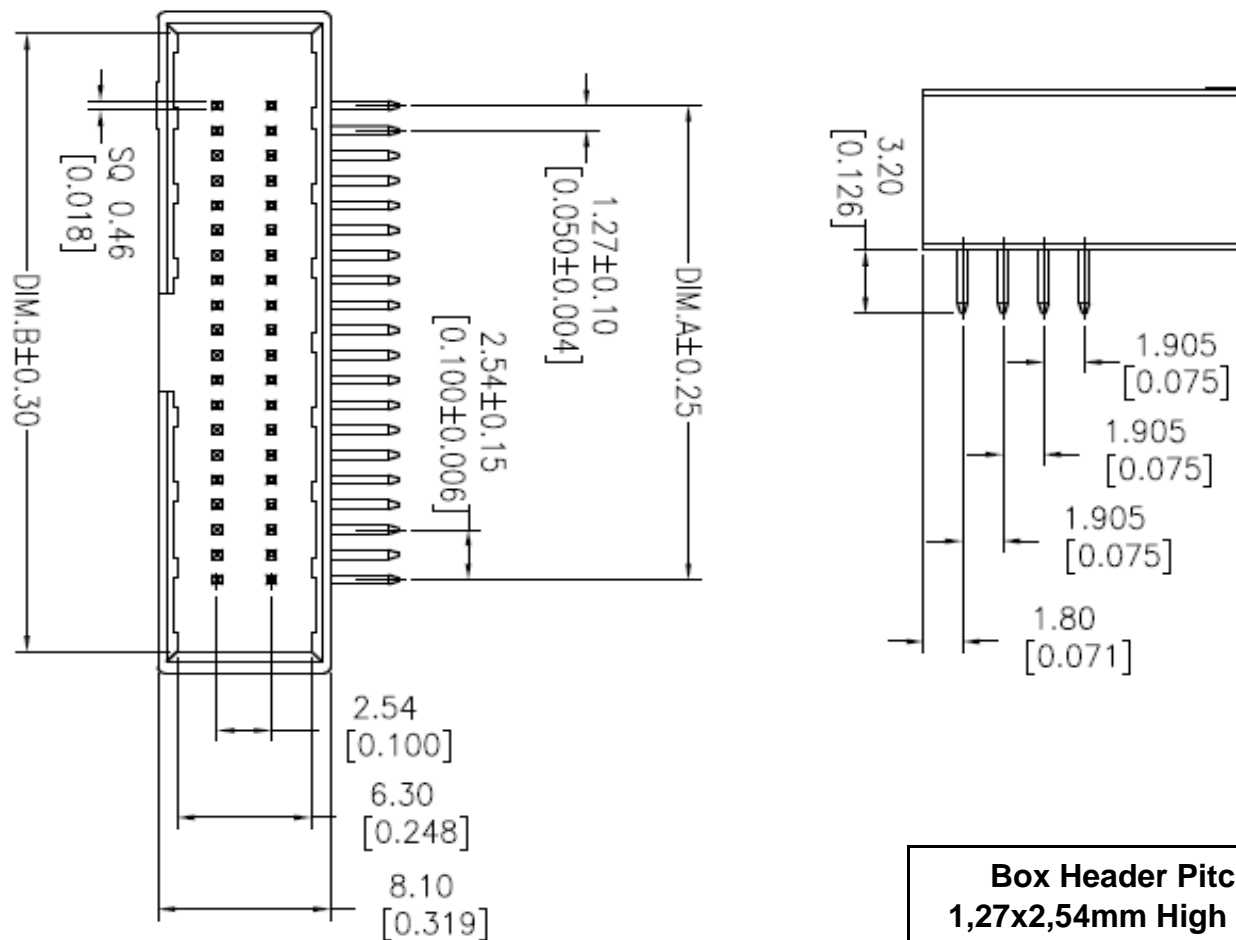
Current Rating: 1,0A  
 Insulation Resistance: 1000Mega Ohm min.  
 Contact Resistance: 20milli Ohm max.  
 Dielectric Voltage: 500V AC for one minute  
 Operating Temperature: -40°C ~ to +105°C  
 Insulator Material: PA6T+30% G.F.(UL94V-0)

Contact Pin: Brass  
 Contact Plating: Gold Flash all over

## Table No. of Positions

	Dimension ( mm )		
	A	B	C
10	4,08	12,40	14,60
20	11,43	18,75	20,95
26	15,24	22,56	24,75
30	17,78	25,10	27,30
34	20,32	27,64	29,84
40	24,13	31,45	33,65
50	30,48	37,80	40,00
60	36,83	44,15	46,35
68	41,91	49,23	51,43
80	49,53	56,85	59,05
100	62,23	69,55	71,75

## Drawing



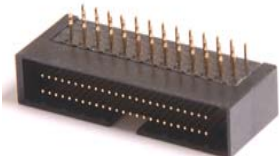
**Box Header Pitch  
1,27x2,54mm High Box**

Part No.: **T16D006-**

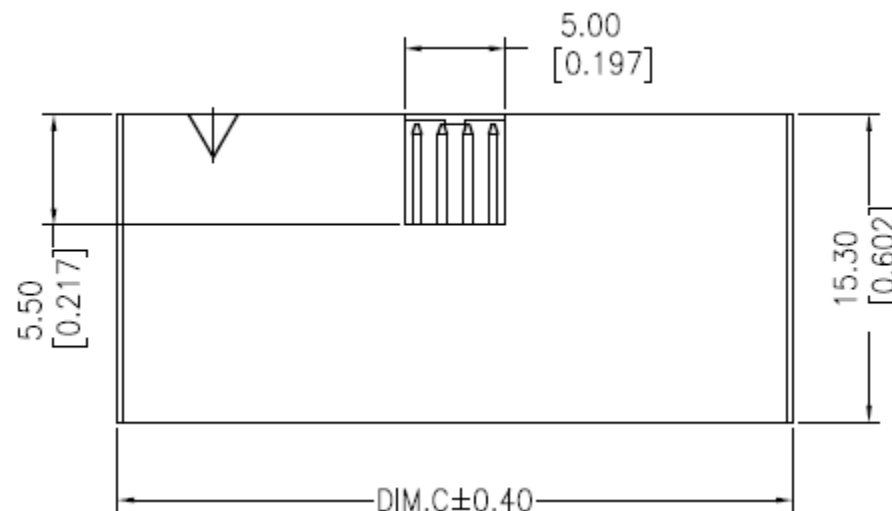
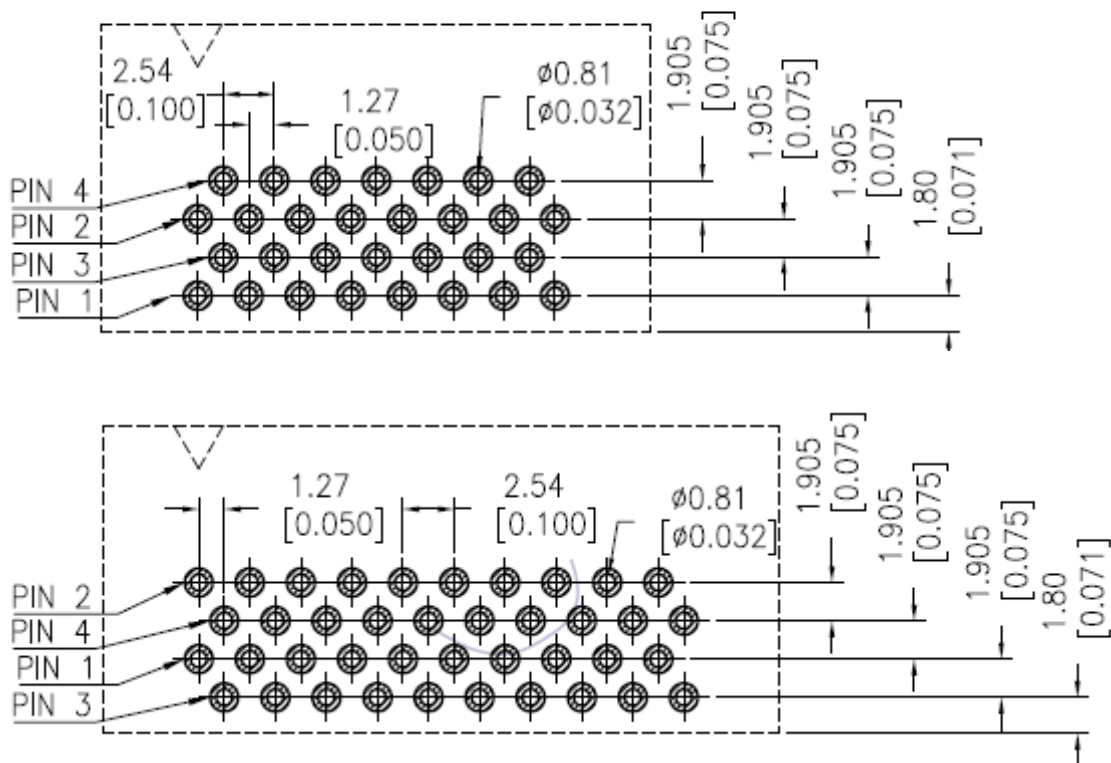
Customer:

DRW:	Jason	CHKD	Wilson	MATL:	Wilson	TOLERANCE	Mason	DATE	13.03.2019
APPD:	Schumi			FINISH	Jamy		Sheet No.	1 from 4	

# EDCON-COMPONENTS



## Recommended P.C.B Layout (Top Side) (PCB BOARD TOLERANCE $\pm 0.05$ )



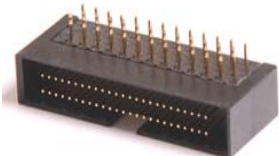
**Box Header Pitch  
1,27x2,54mm High Box**

Part No.: **T16D006-**

Customer:

DRW:	Jason	CHKD	Wilson	MATL:	Wilson	TOLERANCE	Mason	DATE	13.03.2019
APPD:	Schumi			FINISH	Jamy		Sheet No.	2 from 4	

# EDCON-COMPONENTS



## Ordering Informations

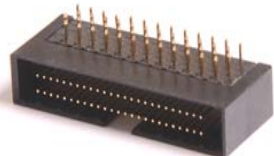
Serie	No. of Pos.	Contact Plating	Material	Color of Body	Solder Pin Length	ROHS	Packing			
<b>T16D006-</b>	<b>XX</b>	<b>G0</b>	<b>PA</b>	<b>BK</b>	<b>A00</b>	<b>R</b>	<b>BU</b>			

<b>XX=</b> look table No. of Position	<b>G0=</b> Gold Flash	<b>PA=</b> PA9T +30% GF f. ROHS	<b>BK=</b> Black	<b>A00=</b> 3,20mm	<b>N=</b> NO ROHS conform	<b>BU=</b> Bulk Ware
	<b>T0=</b> Tin plated				<b>R=</b> ROHS conform	<b>TU=</b> Tube Packing
	<b>GA=</b> 3µ Gold Plating					<b>TY=</b> Tray Packing
	<b>GB=</b> 5µ Gold Plating					
	<b>GC=</b> 10µ Gold Plating					
	<b>GD=</b> 30µ Gold Plating					
	<b>S0=</b> Selectiv Plating Gold Flash / Tin					
	<b>SD=</b> Selectiv Tin/ 5µGold					
<b>SD=</b> Selectiv Tin/ 10µ Gold Flash						
<b>SD=</b> Selectiv Tin/ 20µ Gold	<b>SD=</b> Selectiv Tin/ 30µ Gold					

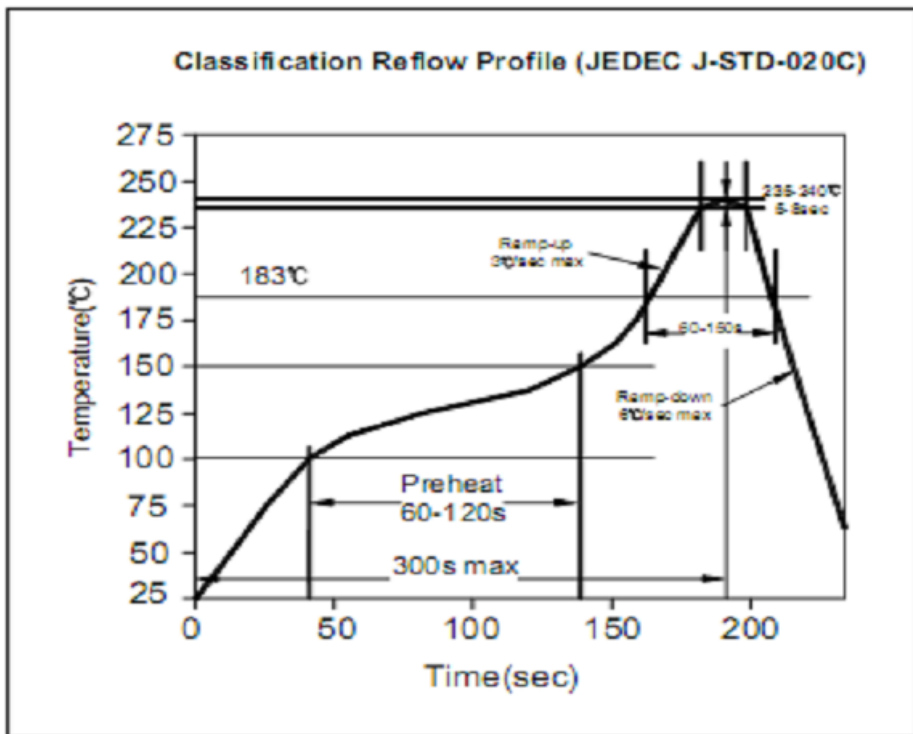
<b>Box Header Pitch 1,27x2,54mm High Box</b>	
Part No.:	<b>T16D006-</b>
Customer:	

DRW:	Jason	CHKD	Wilson	MATL:	Wilson	TOLERANCE	Mason	DATE	13.03.2019
APPD:	Schumi			FINISH	Jamy		Sheet No.		3 from 4

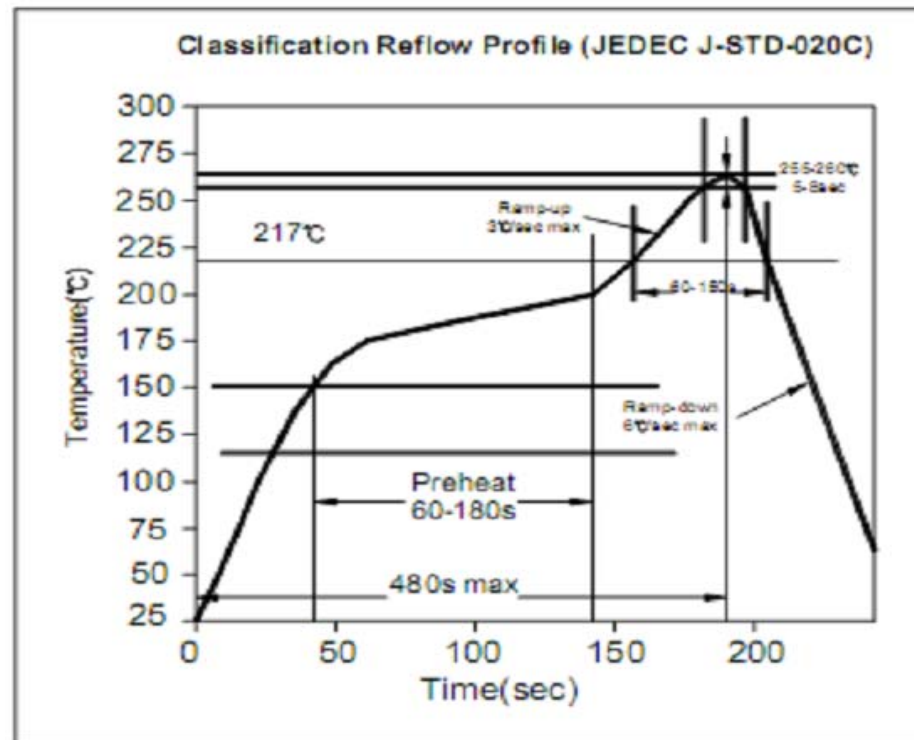
# EDCON-COMPONENTS



## Soldering Profile for Lead Soldering ( P.B.T. )



## Soldering Profile for Lead Free Soldering ( Nylon 6T )



**Box Header Pitch  
1,27x2,54mm High Box**

Part No.: **T16D006-**

DRW:	Jason	CHKD	Wilson	MATL:	Wilson	TOLERANCE	Mason	DATE	13.03.2019
APPD:	Schumi			FINISH	Jamy		Sheet No.	4 from 4	Customer:

[www.edcon-components.com](http://www.edcon-components.com)

email: [info@edcon-components.com](mailto:info@edcon-components.com)