



## Technical Informations

### FEATURES

Magnetic Shielded surface mount inductor with high current rating.  
Low resistance to keep power loss minimum.

### OPTIONS

Tape & Reel ( Standard)  
Tolerance: M=20% ( Standard,)  
Tighter Tolerances Available

### APPLICATIONS

Excellent for power line DC-DC conversions used in hard disk, notebook computer and other electronic equipment.

## PHYSICAL CHARACTERISTICS

- Inductance is measured by LCR-meter 4284A / 4286A (HP) or equivalent.
  - DC Resistance is measured by HP4338B Milliohms Meter or equivalent.
  - Rated current is measured by LCR-meter 3260B (WK) & DC Bias 3265B(WK).
  - Maximum allowable DC current is that which causes a 25% inductance reduction from the initial value, or coil temperature to rise by 40°C, whichever is smaller.
- Ambient Temperature . -40°C to + 85°C
- Operating Temperature . -40°C to + 125°C
  - Storage Temperature . -20°C to + 60°C 75%RH max

## ELECTRICAL SPECIFICATIONS

Properties	Test Conditions		Value	Unit	Tol.
Inductance	100Khz/250mV	<b>L</b>	4,7	<b>μH</b>	<b>look Order.</b>
Rated Current	ΔT = 40K	<b>IDC</b>	6	<b>A</b>	<b>max.</b>
Saturation Current	IΔL/LI <10%	<b>Isat</b>	11	<b>A</b>	<b>typ.</b>
DC-resistance	at20°C	<b>DCR typ.</b>	0,016	<b>Ω</b>	<b>typ.</b>
DC-resistance	at20°C	<b>DCR max.</b>	0,019	<b>Ω</b>	<b>max.</b>
Self-Res. Freq.		<b>SRF</b>	61	<b>MHz</b>	<b>typ.</b>

1. This electronic component is meant to be used in general electronic equipment. Before the incorporation of this component into any equipment with higher and more reliable requirements such as aviation, aerospace, submarine, nuclear control, transportation, transportation signal, disaster prevention, medical, public information network, etc. or if there is a possibility of injuries or damages to the human body, Edcon –Components must be informed before the stage of design-in. Evaluation checks for safety have to be performed on each electronic components used in electrical circuits that require high safety and reliability functions.

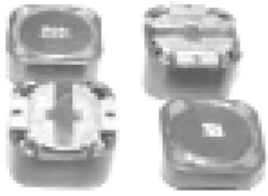
### SMT SHIELDED POWER INDUCTOR

Part No.: **S47006-4R7**

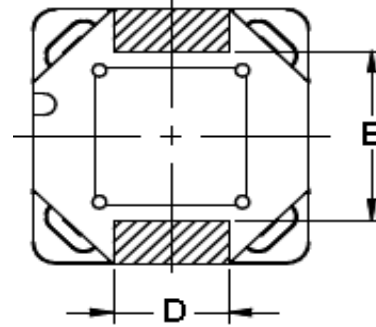
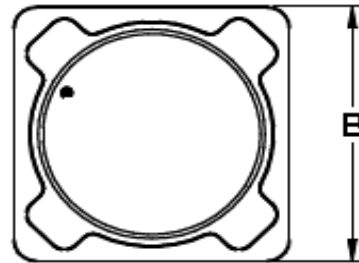
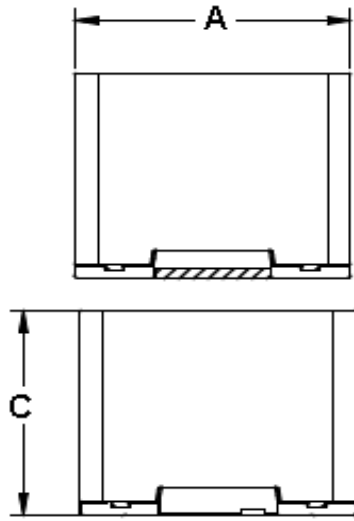
Customer:

DRW:	Chang	CHKD	Young	MATL:	Chu Chi	DATE	09.04.2018
APPD:	Pong			FINISH	Vienna	Sheet	1 from 2

Copyright by S.Tiede



### TECHNICAL Dimensions (mm)



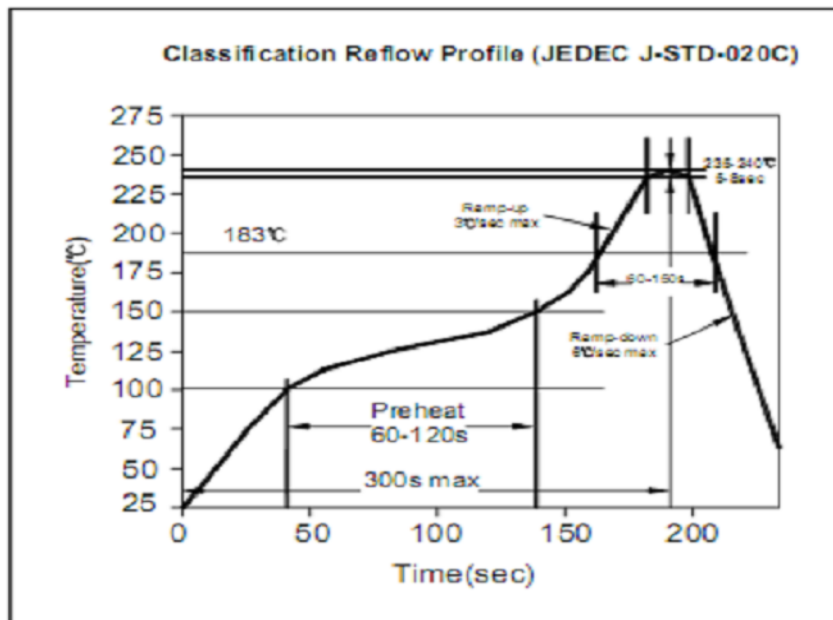
<b>A=</b>	12,0 ± 0,3
<b>B=</b>	12,0 ± 0,3
<b>C=</b>	10,0 max
<b>D=</b>	5,4 ± 0,2
<b>E=</b>	6,8 ± 0,2

### Ordering Information

Serie and Range	Tolerance	ROHS	Packing
S47006-4R7	M	R	TR

<b>K = 10%</b>	<b>R = ROHS</b>	<b>BU = Bulk Ware</b>
<b>M = 20%</b>	<b>N = non ROHS</b>	<b>TR = Tape Reel</b>

### Soldering Profile for Lead Free Soldering 235-240°C



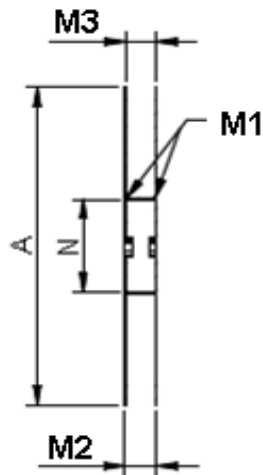
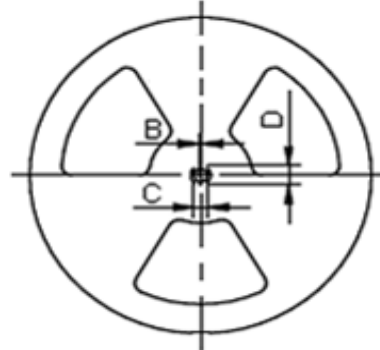
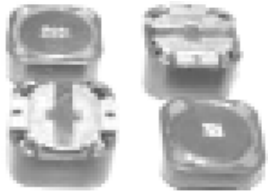
1. This electronic component is meant to be used in general electronic equipment. Before the incorporation of this component into any equipment with higher and more reliable requirements such as aviation, aerospace, submarine, nuclear control, transportation, transportation signal, disaster prevention, medical, public information network, etc. or if there is a possibility of injuries or damages to the human body, Edcon –Components must be informed before the stage of design-in. Evaluation checks for safety have to be performed on each electronic components used in electrical circuits that require high safety and reliability functions.

### SMT SHIELDED POWER INDUCTOR

Part No.: **S47006-4R7**

Customer:

DRW:	Chang	CHKD	Young	MATL:	Chu Chi	DATE	09.04.2018
APPD:	Pong			FINISH	Vienna	Sheet	2 from 2



	Dimension (mm)									
	A	B	C	D	N	M1	M2	M3	M3	
Tolerance	± 2.0	min.	min.	min.	± 2.0	± 2.0	max.	min.	max.	
Tape width 24mm	330	1,5	12,8	20,2	60,0	24,4	30,4	23,9	27,4	

1. This electronic component is meant to be used in general electronic equipment. Before the incorporation of this component into any equipment with higher and more reliable requirements such as aviation, aerospace, submarine, nuclear control, transportation, transportation signal, disaster prevention, medical, public information network, etc. or if there is a possibility of injuries or damages to the human body, Edcon –Components must be informed before the stage of design-in. Evaluation checks for safety have to be performed on each electronic components used in electrical circuits that require high safety and reliability functions.

**SMT SHIELDED  
 POWER INDUCTOR**

Part No.: **S47006-4R7**

Customer:

DRW:	Chang	CHKD	Young	MATL:	Chu Chi	DATE	09.04.2018
APPD:	Pong			FINISH	Vienna	Sheet	3 from 3