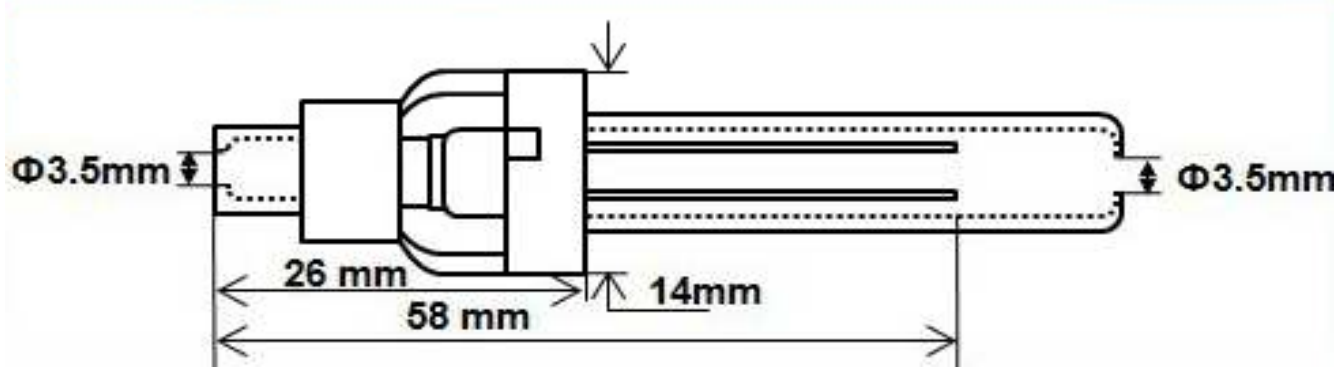




Electrical Specification

Suitable for Fuse: 6,3x32mm
 Max. Current: 10A
 Voltage: 250VAC
 Wire size: AWG14 ~AWG22
 Wire length: 180mm
 Colour of wire: Red
 Colour of housing: Natural / Black
 Approval: UL



Serie	Wire Length	Isolation Colour	Wire Size	Case Colour	ROHS	Packing
R55005	181	RD	18	N	R	BU
	181= 180mm	RD= Red	18= AWG18	N= Natural	R= ROHS Conform	BU= Bulk-Ware
	000= without Wire	00= no wire	20= AWG20	B= Black	N= NON ROHS Conform	IV= Individual Packing
			22= AWG22			
			16= AWG16			
			14= AWG14			
			00= without Wire			

Inline Fuse Holder for 6,3x32mm Fuse	
Part No.:	R55005
Customer:	

DRW:	Jason	CHKD	Jules	MATL:	Wu	DATE	15.08.2021
APPD:	Join			FINISH	Shieh	Sheet	1 from 1