

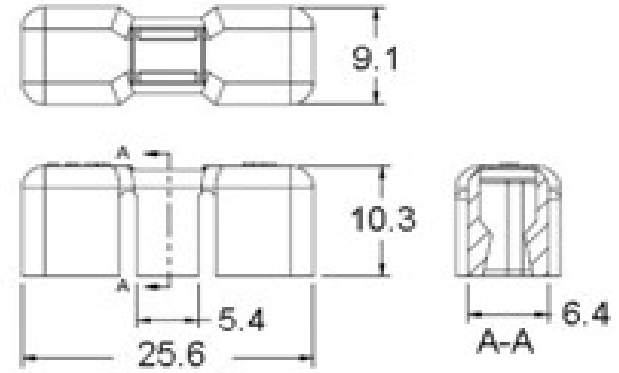
EDCON-COMPONENTS



Technical Discription

for Fuse Size: 5x20mm
 Material: Nylon 66
 Flame Class: UL 94V-0
 Color: Natural

Drawing (mm)



Fuse Protection CAP for PCB Fuse Holder 5x20mm	
Part No.:	R53090
Customer:	

DRW:	Jason	CHKD	Wilson	MATL:	Wilson	TOLERANCE	Mason	DATE	01.04.2019
APPD:	Schumi			FINISH	Jamy		Sheet No.	1 from 2	

EDCON-COMPONENTS



Ordering Informations

Serie	Spezial Function	Spezial Function	ROHS	Packing						
R53090	0	0	R	BU						

0= No function	0= No function	R= ROHS Conform	BU= Bulk-Ware

Fuse Protection CAP for PCB Fuse Holder 5x20mm	
Part No.:	R53090
Customer:	

DRW:	Jason	CHKD	Wilson	MATL:	Wilson	TOLERANCE	Mason	DATE	01.04.2019
APPD:	Schumi			FINISH	Jamy		Sheet No.	2 from 2	