

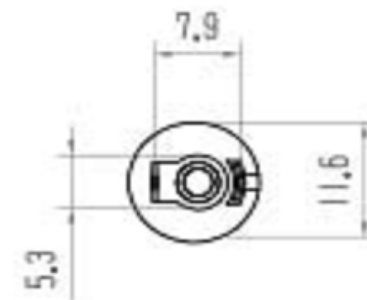
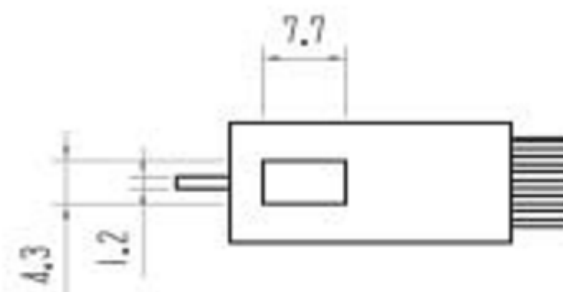
# EDCON-COMPONENTS



## Technical Discription

Type; Bajonett-Knob  
 Insulation Resistance: 100m  $\Omega$  Min 500VDC  
 Contact Resistance: 5m  $\Omega$  @ 1A DC  
 Dielectric Strength: AC 3000V for min. 60Sec.  
 Rated Current: 10A  
 Rated Voltage: 250VAC  
 Fuse Type/Size: 5x20mm  
 Protection Degree: IP40  
 Base: Phenolic  
 Cap: PA +30%GF  
 Terminal: Brass, tin plated

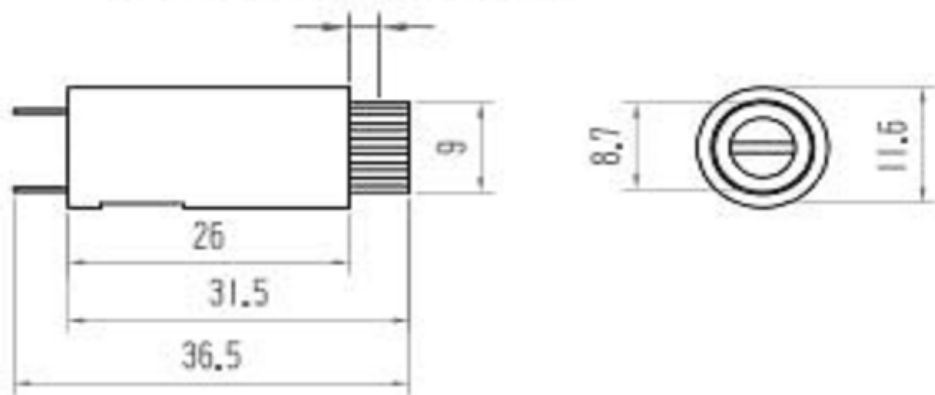
## Drawing (mm)



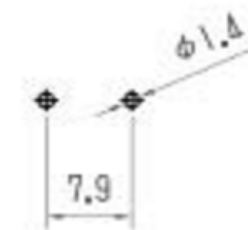
## Approvals



Panel min. 0.8 max. 4.5mm



## PCB Layout (mm)



**THT PCB Fuse Holder**

Part No.: **R53088**

DRW:	Jason	CHKD	Wilson	MATL:	Wilson	TOLERANCE	Mason	DATE	27.03.2019
APPD:	Schumi			FINISH	Jamy		Sheet No.		1 from 3

Customer:

# EDCON-COMPONENTS



## Ordering Informations

Serie	Spezial Function	Spezial Function	ROHS	Packing						
<b>R53088</b>	<b>0</b>	<b>0</b>	<b>R</b>	<b>BU</b>						

<b>0</b> = No function	<b>0</b> = No function	<b>R</b> = ROHS Conform	<b>BU</b> = Bulk-Ware

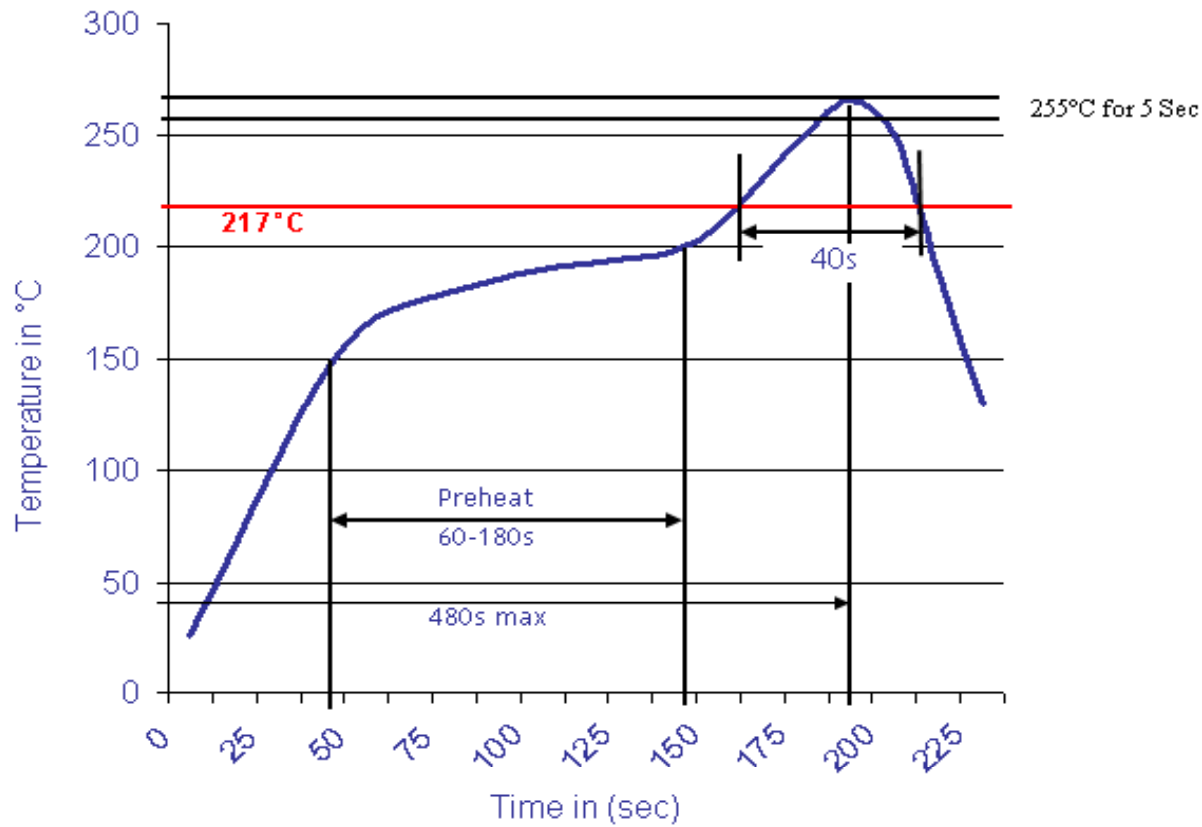
<b>THT PCB Fuse Holder</b>
Part No.: <b>R53088</b>
Customer:

DRW:	Jason	CHKD	Wilson	MATL:	Wilson	TOLERANCE	Mason	DATE	27.03.2019
APPD:	Schumi			FINISH	Jamy		Sheet No.	2 from 3	



Soldering Profile Curve

Classification Reflow Profile (JEDEC J-STD-020C)



<b>THT PCB Fuse Holder</b>	
Part No.:	<b>R53088</b>
Customer:	

DRW:	Jason	CHKD:	Wilson	MATL:	Wilson	TOLERANCE:	Mason	DATE:	27.03.2019
APPD:	Schumi	FINISH:	Jamy			Sheet No.:	3 from 3		