

EDCON-COMPONENTS

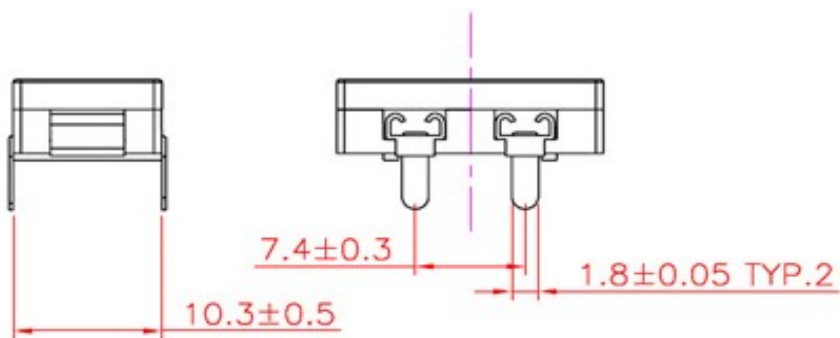
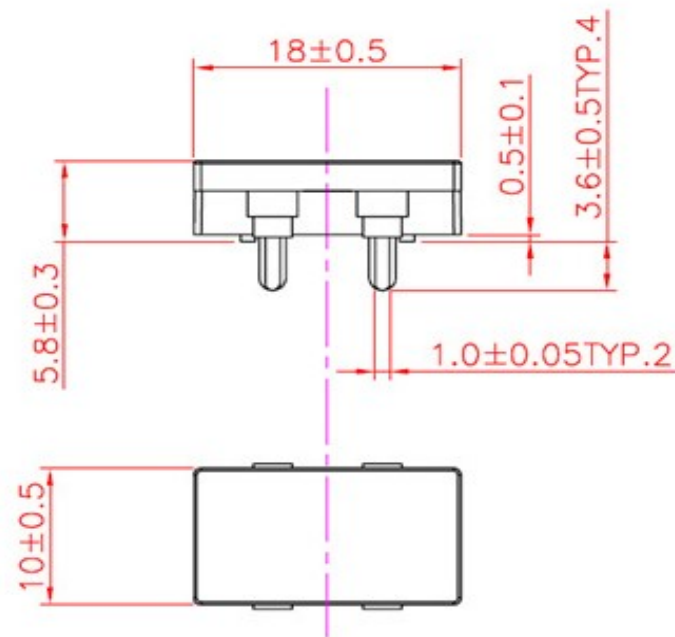


Technical Discription

Drawing

Type;
 Insulation Resistance:
 Contact Resistance:
 Dielectric Strength:
 Rated Current: 40A
 Rated Voltage: 32V
 Fuse Type/Size: CAR
 Protection Degree:

Approvals



THT PCB CAR Fuse Holder	
Part No.:	R53084
Customer:	

DRW:	Jason	CHKD	Wilson	MATL:	Wilson	TOLERANCE	Mason	DATE	17.01.2023
APPD:	Schumi			FINISH	Jamy		Sheet No.		1 from 3

www.edcon-components.com

email: info@edcon-components.com

EDCON-COMPONENTS



Ordering Informations

Serie	Spezial Function	Spezial Function	ROHS	Packing						
R53084	0	0	R	BU						

0 = No function	0 = No function	R = ROHS Conform	BU = Bulk-Ware

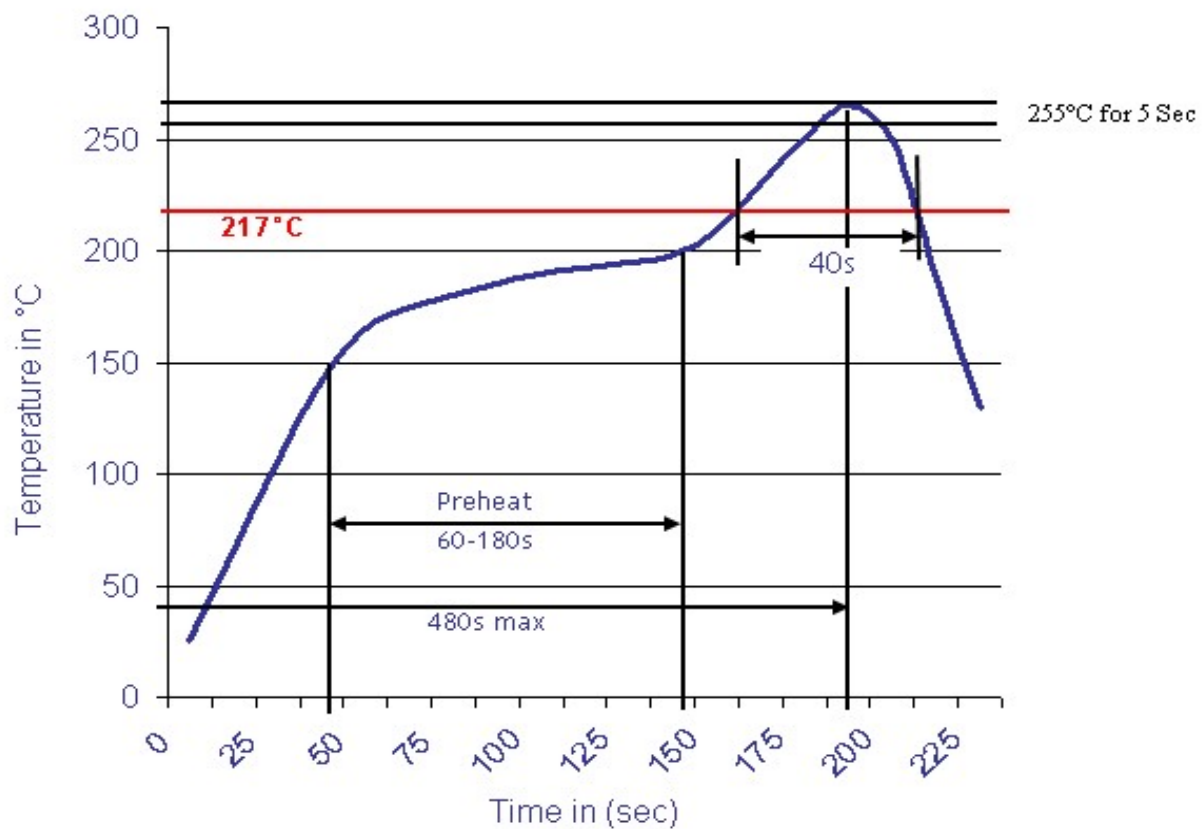
THT PCB CAR Fuse Holder
Part No.: R53084
Customer:

DRW:	Jason	CHKD	Wilson	MATL:	Wilson	TOLERANCE	Mason	DATE	17.01.2023
APPD:	Schumi			FINISH	Jamy		Sheet No.	2 from 3	



Soldering Profile Curve

Classification Reflow Profile (JEDEC J-STD-020C)



THT PCB CAR Fuse Holder	
Part No.:	R53084
Customer:	

DRW:	Jason	CHKD:	Wilson	MATL:	Wilson	TOLERANCE:	Mason	DATE:	17.01.2023
APPD:	Schumi	FINISH:	Jamy			Sheet No.:			3 from 3