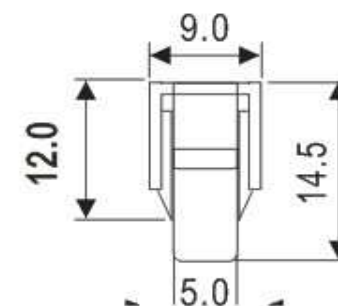
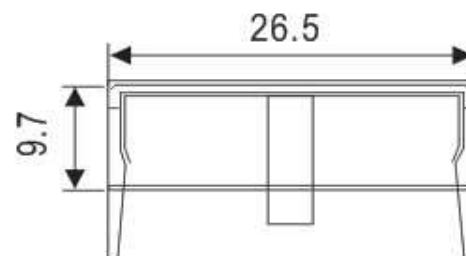
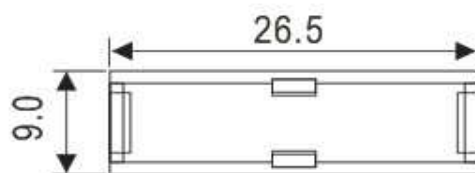


EDCON-COMPONENTS



Technical Informations

For PCB Fuse Clip 5x20mm
 For PCB Fuse Holder 5x20mm
 Cover Transparent clear
 Material PVC



Ordering Information

Serie	Cover color	Special Function	ROHS	Packing
R53042	CC	00	R	BU

**Fuse Protection Cap for Fuse
5x20mm**

Part No.: **R53042**

DRW:	Jason	CHKD	Wilson	MATL:	Wilson	TOLERANCE	Mason	DATE	05.05.2014
APPD:	Schumi			FINISH	Jamy		Sheet No.	1 from 1	

Customer:

www.edcon-components.com

email: info@edcon-components.com