

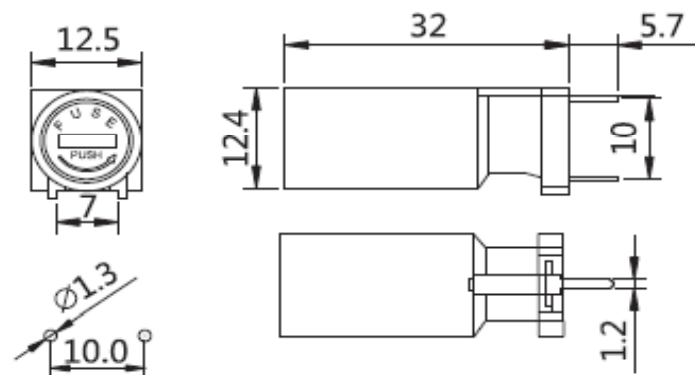
EDCON-COMPONENTS



Technical Discription

Cap Type;	Bajonett
Insulation Resistance:	100m Ω Min 500VDC
Contact Resistance:	5m Ω @ 1A DC
Dielectric Strength:	AC 3000V for min. 60Sec.
Rated Current:	10A
Rated Voltage:	250VAC
Fuse Type/Size:	5x20mm
Protection Degree:	IP40
Material:	PBT

Drawing



Approvals



THT PCB Fuse Holder

Part No.: **R53032**

Customer:

DRW:	Jason	CHKD	Wilson	MATL:	Wilson	TOLERANCE	Mason	DATE	15.02.2019
APPD:	Schumi			FINISH	Jamy		Sheet No.	1 from 3	

EDCON-COMPONENTS



Ordering Informations

Serie	Body Colour	Spezial Function	ROHS	Packing						
-------	-------------	------------------	------	---------	--	--	--	--	--	--

R53032	-	BK	0	R	BU					
---------------	---	-----------	----------	----------	-----------	--	--	--	--	--

BK= Black	0= No function	R= ROHS Conform	BU= Bulk-Ware

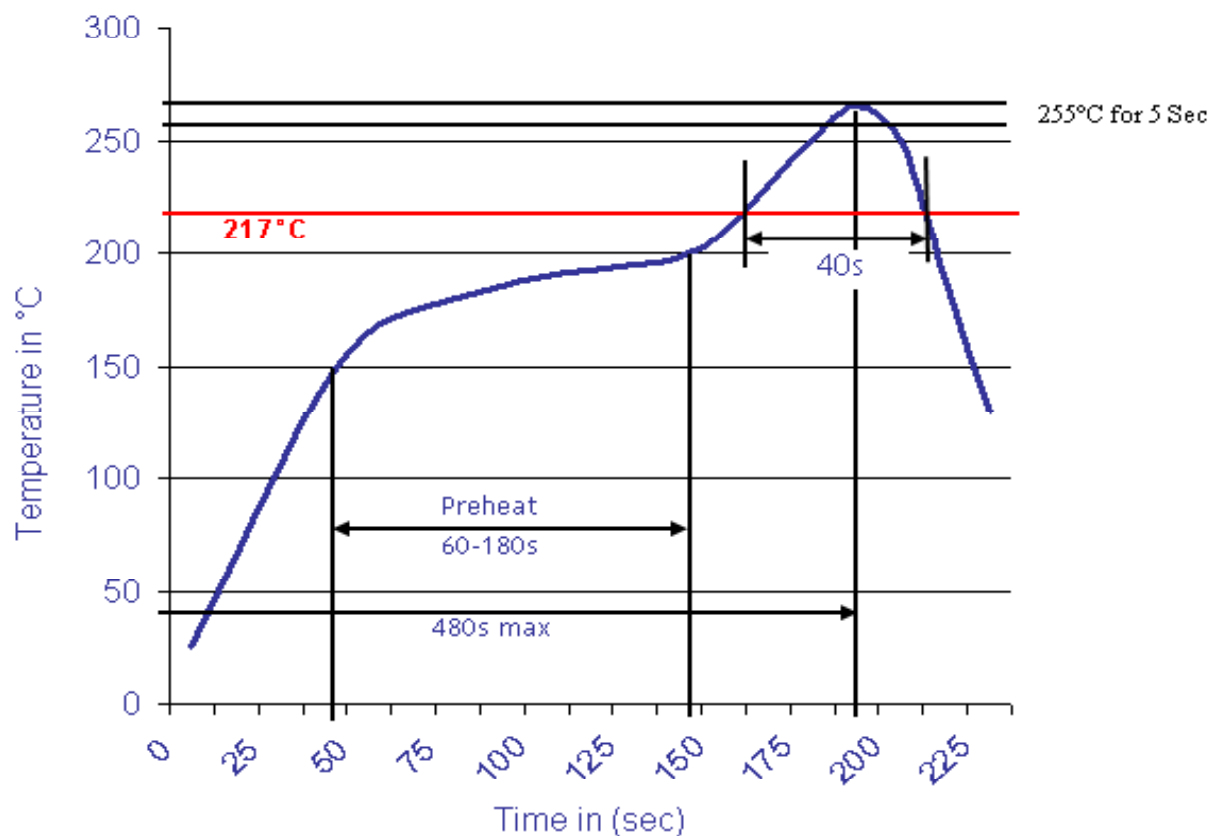
THT PCB Fuse Holder	
Part No.:	R53032
Customer:	

DRW:	Jason	CHKD	Wilson	MATL:	Wilson	TOLERANCE	Mason	DATE	15.02.2019
APPD:	Schumi			FINISH	Jamy			Sheet No.	2 from 3



Soldering Profile Curve

Classification Reflow Profile (JEDEC J-STD-020C)



THT PCB Fuse Holder	
Part No.:	R53032
Customer:	

DRW:	Jason	CHKD	Wilson	MATL:	Wilson	TOLERANCE	Mason	DATE	15.02.2019
APPD:	Schumi			FINISH	Jamy		Sheet No.	3 from 3	