

EDCON-COMPONENTS

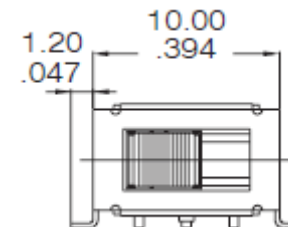
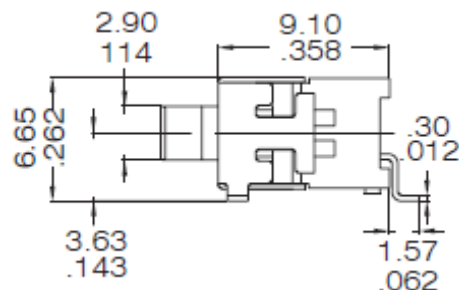


SPECIFICATION:

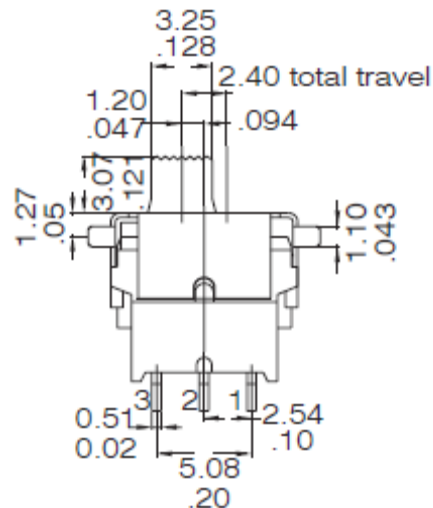
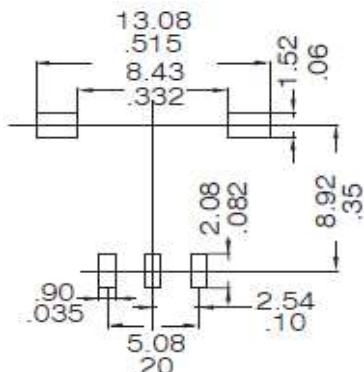
Contact Rating: 0,4VA max. @ 28VDC or AC
 Electrical Life: 10000 make and break cycles at full load
 Contact Resistance: 100mΩ max. initial @ 2-4 VDC, 100mA
 Insulation Resistance: 100M Ω min.
 Dielectric Strength: 500V RMS @ sea level
 Operating Temperature: -30°C ~ +85°C

Materials
 Case: nylon 46
 Actuator: nylon 66
 Terminal: copp alloy, gold plated
 Switch Support: copp alloy, tin plated
 Slide Button: POM
 Contact: Phosphor Bronze, Silver plated

Drawing



P.C.B Layout



**SMT Sealed Subminiatur
Single Pole Slide Switch**

Part No.: **Q52A6012**

DRW:	Jason	CHKD	Wilson	MATL:	Wilson	TOLERANCE	Mason	DATE	19.05.2014
APPD:	Schumi			FINISH	Jamy		Sheet No.		1 from 2

Customer:

www.edcon-components.com

email: info@edcon-components.com

