

# EDCON-COMPONENTS

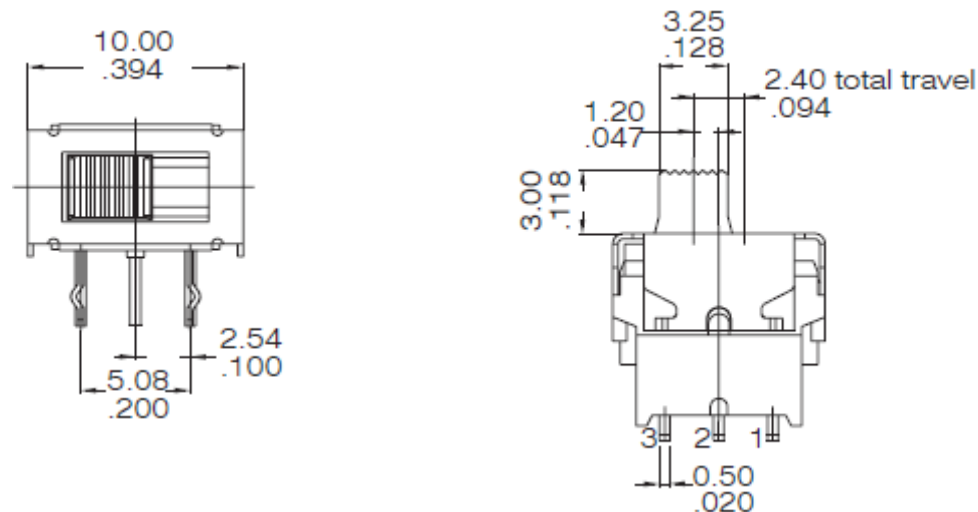


## SPECIFICATION:

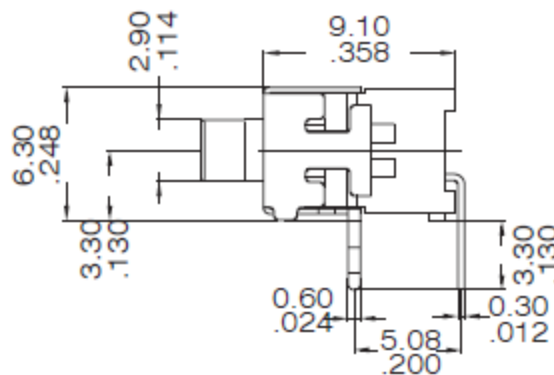
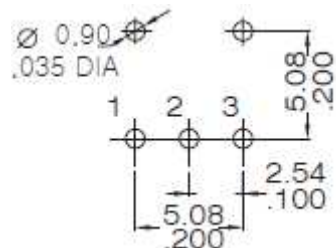
Contact Rating: 0,4VA max. @ 28VDC or AC  
 Electrical Life: 10000 make and break cycles at full load  
 Contact Resistance: 100mΩ max. initial @ 2-4 VDC, 100mA  
 Insulation Resistance: 100M Ω min.  
 Dielectric Strength: 500V RMS @ sea level  
 Operating Temperature: -30°C ~ +85°C

**Materials**  
 Case: nylon 46  
 Actuator: nylon 66  
 Terminal: copp alloy, gold plated  
 Switch Support: copp alloy, tin plated  
 Slide Button: POM  
 Contact: Phosphor Bronze, Silver plated

## Drawing



## P.C.B Layout



**Sealed Subminiatur Single Pole Slide Switch**

Part No.: **Q52A6008**

|       |        |      |        |        |        |           |           |      |            |
|-------|--------|------|--------|--------|--------|-----------|-----------|------|------------|
| DRW:  | Jason  | CHKD | Wilson | MATL:  | Wilson | TOLERANCE | Mason     | DATE | 19.05.2014 |
| APPD: | Schumi |      |        | FINISH | Jamy   |           | Sheet No. |      | 1 from 2   |

[www.edcon-components.com](http://www.edcon-components.com)

email: [info@edcon-components.com](mailto:info@edcon-components.com)



### Ordering Informations

| Serie           | Switch function | Contact Material | special function | special function | ROHS     | Packing   |  |  |  |
|-----------------|-----------------|------------------|------------------|------------------|----------|-----------|--|--|--|
| <b>Q52A6008</b> | <b>A</b>        | <b>T</b>         | <b>X</b>         | <b>X</b>         | <b>R</b> | <b>BU</b> |  |  |  |

|                       |                             |                       |                       |                        |                         |  |  |
|-----------------------|-----------------------------|-----------------------|-----------------------|------------------------|-------------------------|--|--|
| <b>A= ON- NONE-ON</b> | <b>T= Gold / tin-plated</b> | <b>X= No function</b> | <b>X= No function</b> | <b>N= non ROHS</b>     | <b>BU= Bulk Ware</b>    |  |  |
| <b>B= ON- OFF-ON</b>  | <b>A= Gold-plated</b>       |                       |                       | <b>R= ROHS conform</b> | <b>TY= Tray Packing</b> |  |  |
|                       |                             |                       |                       |                        |                         |  |  |
|                       |                             |                       |                       |                        |                         |  |  |
|                       |                             |                       |                       |                        |                         |  |  |
|                       |                             |                       |                       |                        |                         |  |  |
|                       |                             |                       |                       |                        |                         |  |  |
|                       |                             |                       |                       |                        |                         |  |  |
|                       |                             |                       |                       |                        |                         |  |  |
|                       |                             |                       |                       |                        |                         |  |  |
|                       |                             |                       |                       |                        |                         |  |  |
|                       |                             |                       |                       |                        |                         |  |  |
|                       |                             |                       |                       |                        |                         |  |  |
|                       |                             |                       |                       |                        |                         |  |  |
|                       |                             |                       |                       |                        |                         |  |  |

|   |                 |
|---|-----------------|
| <b>Sealed Subminiatur Single Pol Slide Switch</b> |                 |
| Part No.:   | <b>Q52A6008</b> |
| Customer:   |                 |

|       |        |      |        |        |        |           |           |          |            |
|-------|--------|------|--------|--------|--------|-----------|-----------|----------|------------|
| DRW:  | Jason  | CHKD | Wilson | MATL:  | Wilson | TOLERANCE | Mason     | DATE     | 19.05.2014 |
| APPD: | Schumi |      |        | FINISH | Jamy   |           | Sheet No. | 2 from 2 |            |