

EDCON-COMPONENTS

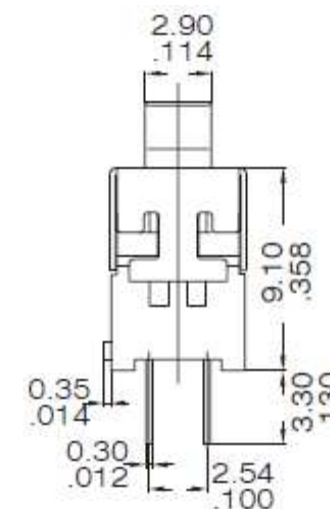
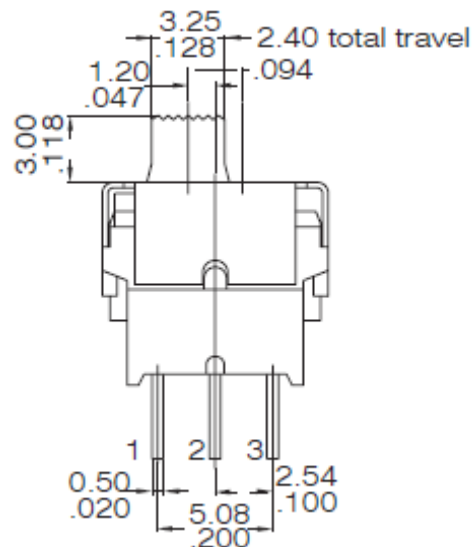


SPECIFICATION:

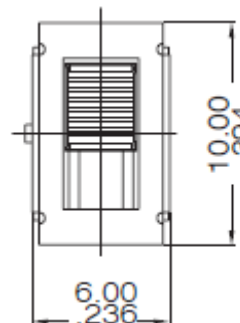
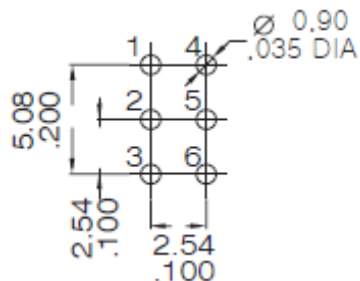
Contact Rating: 0,4VA max. @ 28VDC or AC
 Electrical Life: 10000 make and break cycles at full load
 Contact Resistance: 100mΩ max. initial @ 2-4 VDC, 100mA
 Insulation Resistance: 100M Ω min.
 Dielectric Strength: 500V RMS @ sea level
 Operating Temperature: -30°C ~ +85°C

Materials
 Case: nylon 46
 Actuator: nylon 66
 Terminal: copp alloy, gold plated
 Switch Support: copp alloy, tin plated
 Slide Button: POM
 Contact: Phosphor Bronze, Silver plated

Drawing



P.C.B Layout



**Sealed Subminiatur
Double Pol Slide Switch**

Part No.: **Q52A6007**

DRW:	Jason	CHKD	Wilson	MATL:	Wilson	TOLERANCE	Mason	DATE	19.05.2014
APPD:	Schumi			FINISH	Jamy		Sheet No.		1 from 2

Customer:



Ordering Informations

Serie	Switch function	Contact Material	special function	special function	ROHS	Packing			
Q52A6007	A	T	X	X	R	BU			

A= ON- NONE-ON	T= Gold / tin-plated	X= No function	X= No function	N= non ROHS	BU= Bulk Ware		
B= ON- OFF-ON	A= Gold-plated			R= ROHS conform	TY= Tray Packing		

Sealed Subminiatur Double Pol Slide Switch	
Part No.:	Q52A6007
Customer:	

DRW:	Jason	CHKD	Wilson	MATL:	Wilson	TOLERANCE	Mason	DATE	19.05.2014
APPD:	Schumi			FINISH	Jamy		Sheet No.		2 from 2