



DATA SHEET

SUB-Miniature - Toogle Switch Type R/A H-Type

Serie: Q48A411

SUB-Miniature - Toogle Switch Type R/A H-Type	
Serie No.:	Q48A411
Customer:	

DRW:	Jason	CHKD	Wilson	MATL:	Wilson	TOLERANCE	Mason	DATE	18.12.2015
APPD:	Schumi			FINISH	Jamy		Sheet No.		1 from 10

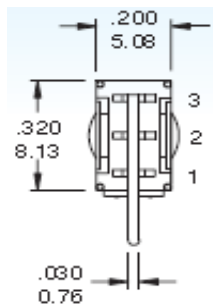
EDCON-COMPONENTS



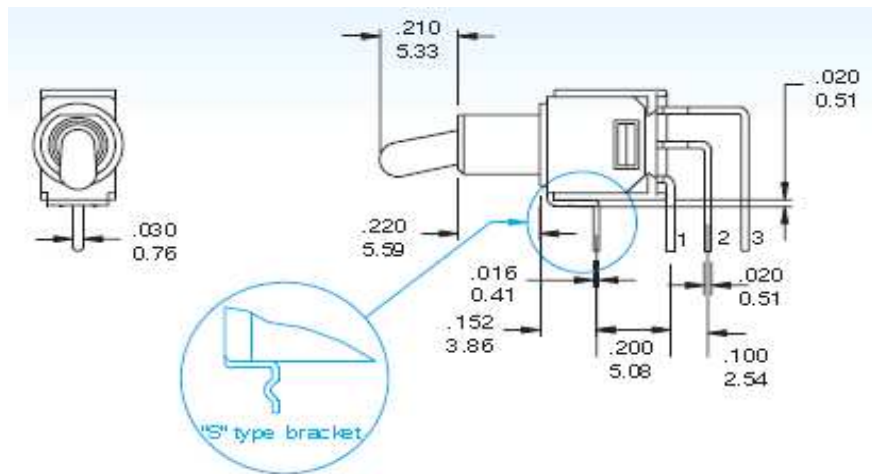
Technical Informations

Contact Rating: 3A @ 120VAC or 28VDC (silver plated)
 Contact Resistance: 20mΩ max initial @ 2-4VDC, 100mA
 Electrical Lifetime: 30.000 make and break cycles full loaded
 Insulation Resistance: 1000MΩ min.
 Dielectric Strength: 1500V RMS @ sea level
 Operating Temperature: -30°C to + 85°C

Housing: Stainless Steel
 Case: Diallyl phthalate
 Contact and Terminal: copper alloy, silver plated
 Bushing: copper alloy, nickel plated
 Toggle: copper alloy, chrome plated
 Switch Support: copper alloy, tin plated



Switching Pos. Order Code	Switching Position		
100	ON	NONE	ON
101	ON	OFF	ON
102	ON	NONE	(ON)
103	(ON)	OFF	(ON)
104	ON	OFF	(ON)
Tem. Com	2 - 3	open	2 - 1



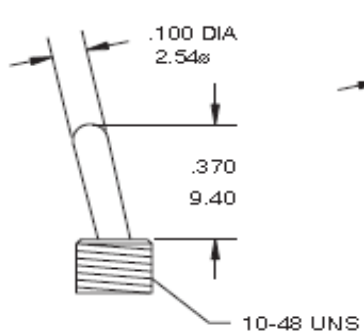
SUB-Miniature - Toogle Switch Type R/A H-Type	
Part No.:	Q48A411
Customer:	

DRW:	Jason	CHKD	Wilson	MATL:	Wilson	TOLERANCE	Mason	DATE	18.12.2015
APPD:	Schumi			FINISH	Jamy		Sheet No.		2 from 10

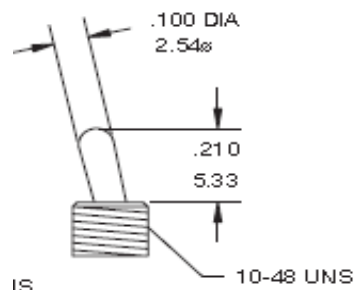
EDCON-COMPONENTS



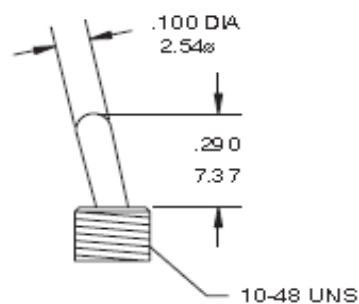
Actuator Optional Order Code



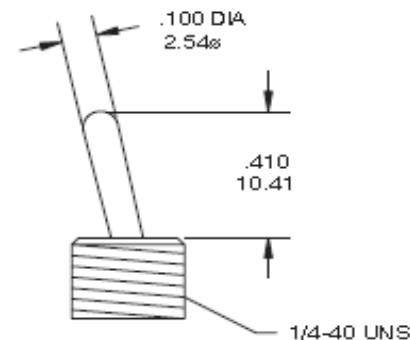
Code AA
Toggle Plastic Caps Look Page 4



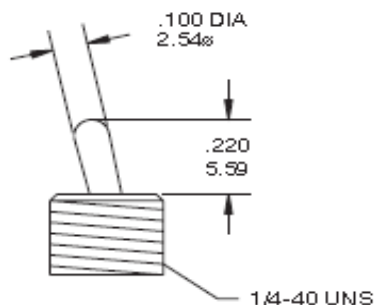
Code AB



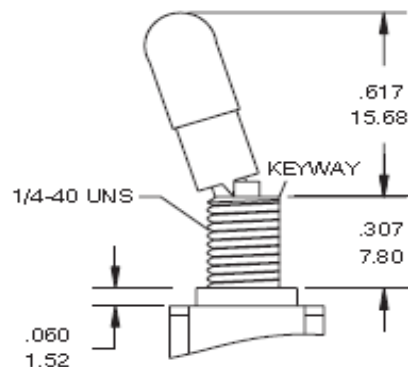
Code AC



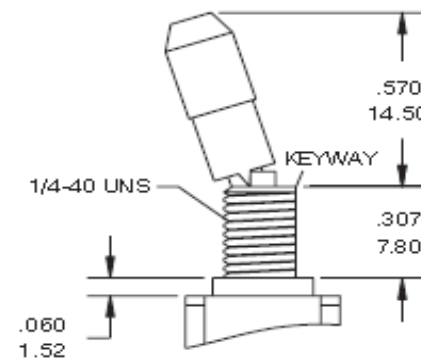
Code AD



Code AE



Code AF



Code AG

SUB-Miniature - Toggle Switch Type R/A H-Type	
Part No.:	Q48A411
Customer:	

DRW:	Jason	CHKD	Wilson	MATL:	Wilson	TOLERANCE	Mason	DATE	18.12.2015
APPD:	Schumi			FINISH	Jamy		Sheet No.		3 from 10

EDCON-COMPONENTS



Actuator Optional Order Code

Toogle Plastic Caps Order Code Toogle Type AA		<p>Only for Actuator AA</p>
00	w/o Cap	
A1	white	
A2	black	
A3	red	
A4	yellow	
A5	green	
A6	blue	

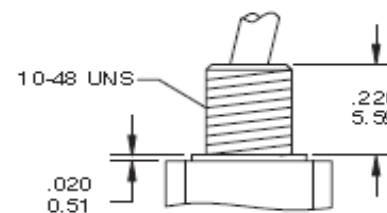
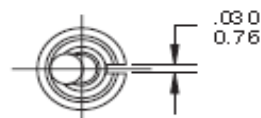
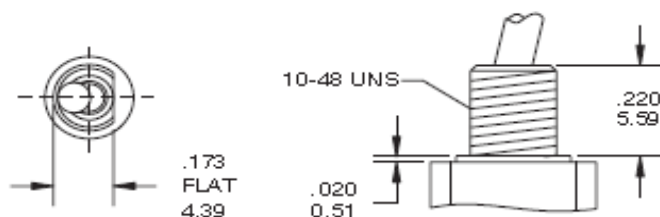
SUB-Miniature - Toogle Switch Type R/A H-Type	
Part No.:	Q48A411
Customer:	

DRW:	Jason	CHKD	Wilson	MATL:	Wilson	TOLERANCE	Mason	DATE	18.12.2015
APPD:	Schumi			FINISH	Jamy		Sheet No.	4 from 10	

EDCON-COMPONENTS

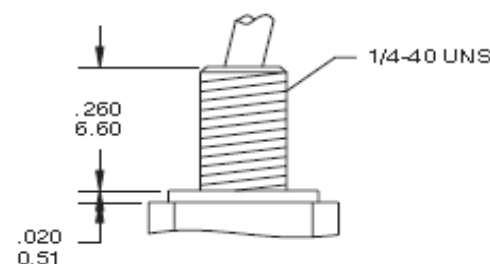
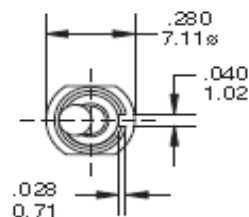
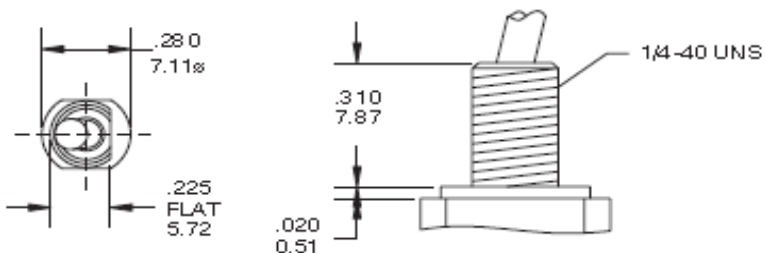


Bushing Options Order Code



Code BA = with thread
Code BB = without thread

Code BC = with thread
Code BD = without thread



Code BE = with Thread
Code BF = without Thread

Code BF = with Thread
Code BG = without Thread

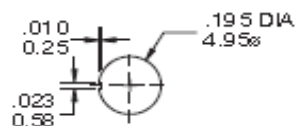
SUB-Miniature - Toogle Switch Type R/A H-Type	
Part No.:	Q48A411
Customer:	

DRW:	Jason	CHKD	Wilson	MATL:	Wilson	TOLERANCE	Mason	DATE	18.12.2015
APPD:	Schumi			FINISH	Jamy		Sheet No.	5 from 10	

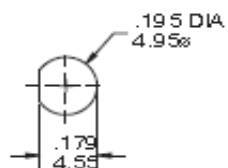


Panel Mounting Informations

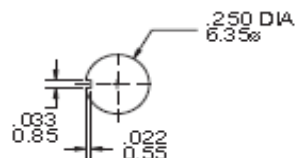
1/4 in. Bushing



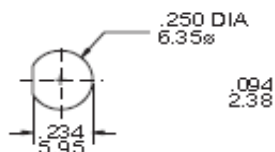
1/4 in. Bushing



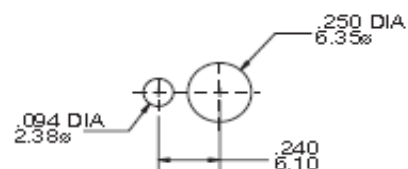
10-48 Bushing



10-48 Bushing w/o look Ring



10-48 Bushing w .look Ring



**SUB-Miniature - Toogle
Switch Type R/A H-Type**

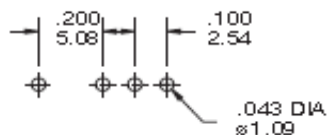
Part No.: **Q48A411**

DRW:	Jason	CHKD	Wilson	MATL:	Wilson	TOLERANCE	Mason	DATE	18.12.2015
APPD:	Schumi			FINISH	Jamy		Sheet No.	6 from 10	Customer:

EDCON-COMPONENTS



Terminal Option Order Code



Code= A

Terminal Seal Order Code



Code= 0 without Seal
Code= 1 with Seal

**SUB-Miniature - Toogle
 Switch Type R/A H-Type**

Part No.: **Q48A411**

DRW:	Jason	CHKD	Wilson	MATL:	Wilson	TOLERANCE	Mason	DATE	18.12.2015
APPD:	Schumi			FINISH	Jamy		Sheet No.	7 from 10	

Customer:

EDCON-COMPONENTS



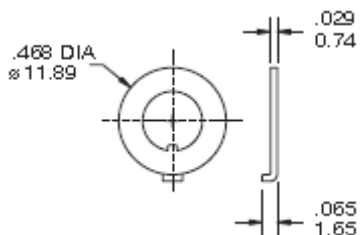
Contact Material Order Code

Order Code	Contact Material	Terminal Material	Rating
A	Silver Plated	Silver Plated	5A @ 125VAC or 28VDC 3A @ 250VAC
B	Gold plated over nickel plated	Gold plated over nickel plated	0,4A max @20VAC or DC max.
C	Gold plated over silver plated	Gold plated over silver plated	0,4A max @20VAC or DC max.or 5A @ 125VAC or 28VDC 3A @ 250VAC

Locking Ring Order Code

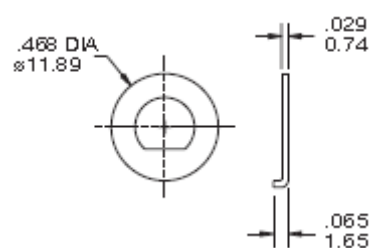
Lock Washer Order Code

Standard 10-42



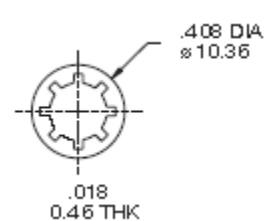
Code = A

Standard 1/4-40 Type 2



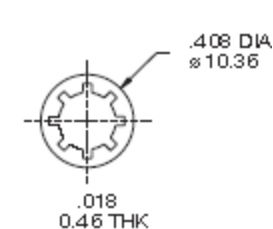
Code = B

Standard 10-42



Code = 1

Standard 1/4-40



Code = 2

SUB-Miniature - Toogle Switch Type R/A H-Type

Part No.: **Q48A411**

DRW:	Jason	CHKD	Wilson	MATL:	Wilson	TOLERANCE	Mason	DATE	18.12.2015
APPD:	Schumi			FINISH	Jamy		Sheet No.		8 from 10

Customer:

EDCON-COMPONENTS



Ordering Informations

Serie	Switching Position	Toogle Options	Cap Options	Bushing Options	Terminal Options	Terminal Seal Options	Contact Mat. Options	Nut Options	Locking Options	Look Washer options	ROHS
Q48A411	1xx	Ax	xx	Bx	A	X	X	N	N	N	R
	Look Page 2	Look Page 3 + 4	Look Page 4	Look Page 5 + 6	Look Page 8	Look Page 8	Look Page 9	Look Page 10	Look Page 11	Look Page 11	R= ROHS Conform N= NON ROHS Conform

Packing Code

B

B= Bulk Ware
I= Individual Package

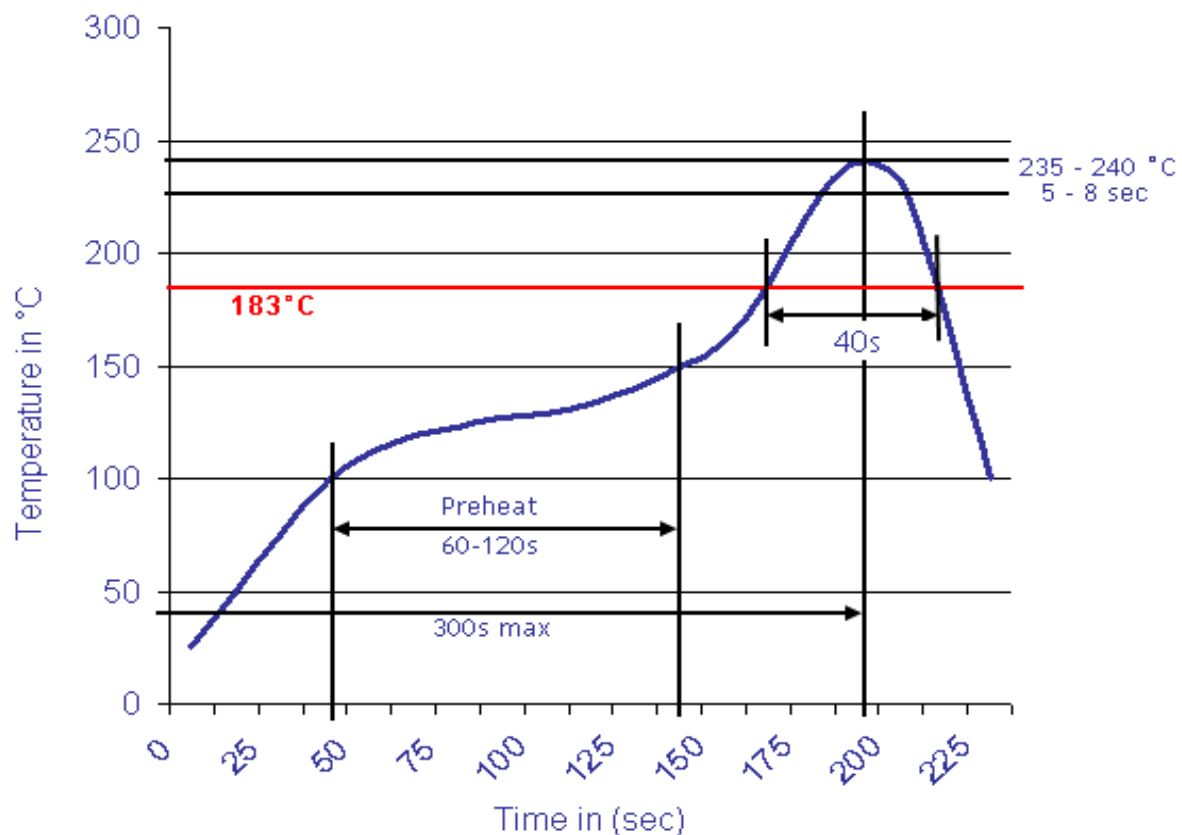
SUB-Miniature - Toogle Switch Type R/A H-Type
Part No.: **Q48A411**

DRW:	Jason	CHKD	Wilson	MATL:	Wilson	TOLERANCE	Mason	DATE	18.12.2015	Customer:
APPD:	Schumi			FINISH	Jamy		Sheet No.	9 from 10		



Soldering Profile Curve

Classification Reflow Profile (JEDEC J-STD-020C)



SUB-Miniature - Toogle Switch Type R/A H-Type	
Part No.:	Q48A411
Customer:	

DRW:	Jason	CHKD	Wilson	MATL:	Wilson	TOLERANCE	Mason	DATE	18.12.2015
APPD:	Schumi			FINISH	Jamy		Sheet No.	10 from 10	