



DATA SHEET

SUB-Miniature - Toogle Switch Type PC Terminal

Serie: Q48A410

SUB-Miniature - Toogle Switch Type PC Terminal	
Serie No.:	Q48A410
Customer:	

DRW:	Jason	CHKD	Wilson	MATL:	Wilson	TOLERANCE	Mason	DATE	27.01.2017
APPD:	Schumi			FINISH	Jamy		Sheet No.	1 from 10	

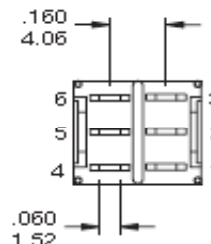
EDCON-COMPONENTS



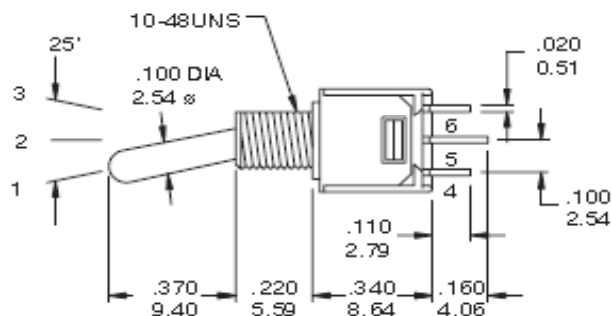
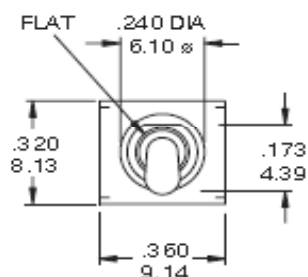
Technical Informations

Contact Rating: 3A@ 120VAC or 28VDC (silver plated)
 Contact Resistance: 20mΩ max initial @ 2-4VDC, 100mA
 Electrical Lifetime: 30.000 make and break cycles full loaded
 Insulation Resistance: 1000MΩ min.
 Dielectric Strength: 1500V RMS @ sea level
 Operating Temperature: -30°C to + 85°C

Housing: Stainless Steel
 Case: Diallyl phthalate
 Contact and Terminal: copper alloy, silver plated
 Bushing: copper alloy, nickel plated
 Toggle: copper alloy, chrome plated
 Switch Support: copper alloy, tin plated



Switching Pos. Order Code	Switching Position		
200	ON	NONE	ON
201	ON	OFF	ON
202	ON	NONE	(ON)
203	(ON)	OFF	(ON)
204	ON	OFF	(ON)
Tem. Com	2-3, 5-6	open	2-1, 5-4
205	ON	ON	ON
Tem. Com	2-3, 5-6	2-3, 5-4	2-1, 5-4



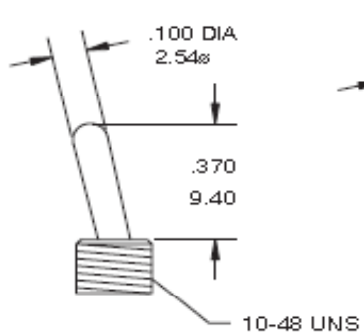
SUB-Miniature - Toogle Switch Type PC Terminal
 Part No.: **Q48A410**
 Customer:

DRW:	Jason	CHKD	Wilson	MATL:	Wilson	TOLERANCE	Mason	DATE	27.01.2017
APPD:	Schumi			FINISH	Jamy		Sheet No.		2 from 10

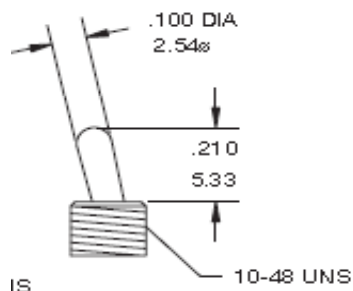
EDCON-COMPONENTS



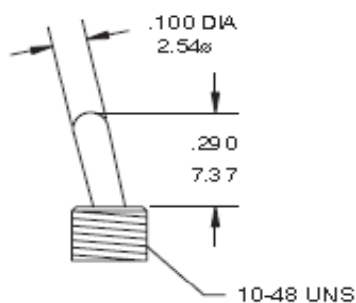
Actuator Optional Order Code



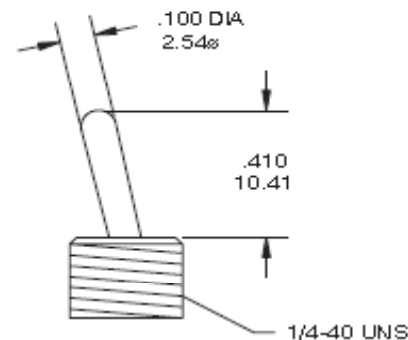
Code AA
Toggle Plastic Caps Look
Page 4



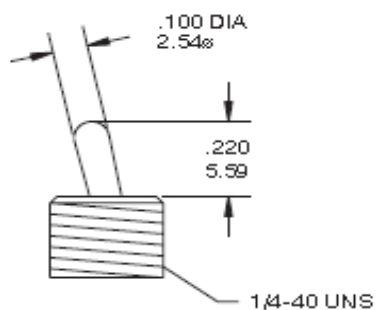
Code AB



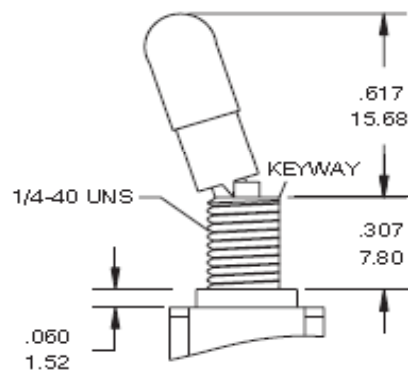
Code AC



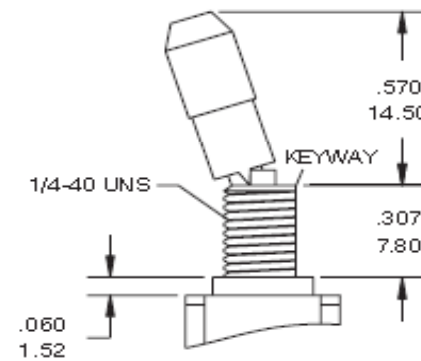
Code AD



Code AE



Code AF



Code AG

SUB-Miniature - Toogle Switch Type PC Terminal	
Part No.:	Q48A410
Customer:	

DRW:	Jason	CHKD	Wilson	MATL:	Wilson	TOLERANCE	Mason	DATE	27.01.2017
APPD:	Schumi			FINISH	Jamy		Sheet No.		3 from 10

EDCON-COMPONENTS



Actuator Optional Order Code

Toogle Plastic Caps Order Code Toogle Type AA		Only for Actuator AA
00	w/o Cap	
A1	white	
A2	black	
A3	red	
A4	yellow	
A5	green	
A6	blue	

SUB-Miniature - Toogle Switch Type PC Terminal

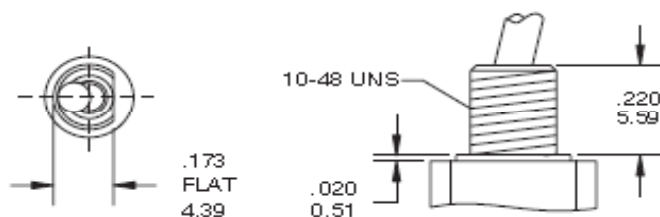
Part No.: **Q48A410**

DRW:	Jason	CHKD	Wilson	MATL:	Wilson	TOLERANCE	Mason	DATE	27.01.2017	Customer:
APPD:	Schumi			FINISH	Jamy		Sheet No.	4 from 10		

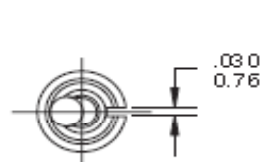
EDCON-COMPONENTS



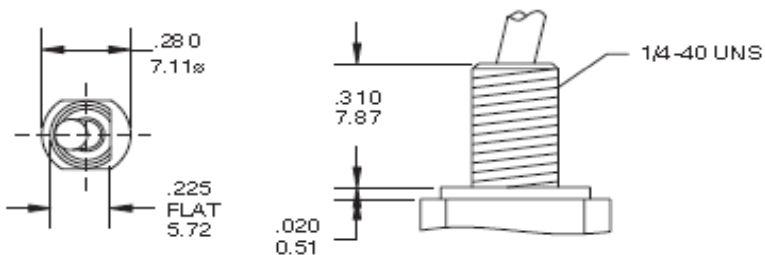
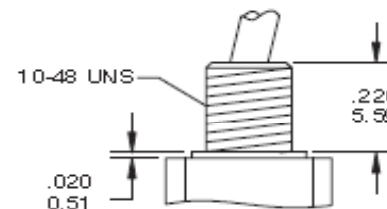
Bushing Options Order Code



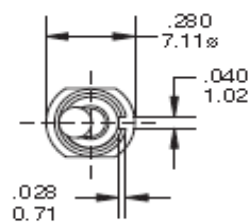
Code BA = with thread 10-48
Code BB = without thread
Code BH = without thread M5



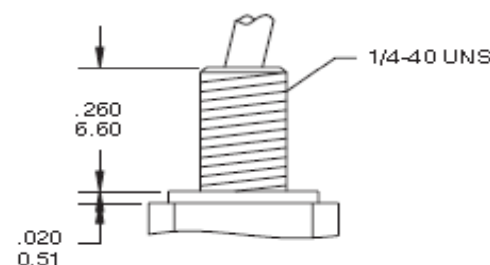
Code BC = with thread 10-48
Code BD = without thread



Code BE = with Thread 1/4-40
Code BF = without Thread



Code BF = with Thread 1/4-40
Code BG = without Thread



SUB-Miniature - Toogle Switch Type PC Terminal	
Part No.:	Q48A410
Customer:	

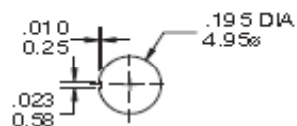
DRW:	Jason	CHKD	Wilson	MATL:	Wilson	TOLERANCE	Mason	DATE	27.01.2017
APPD:	Schumi			FINISH	Jamy		Sheet No.	5 from 10	

EDCON-COMPONENTS

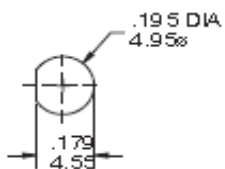


Panel Mounting Informations

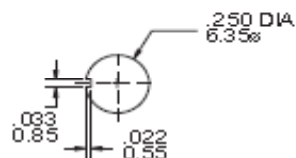
1/4 in. Bushing



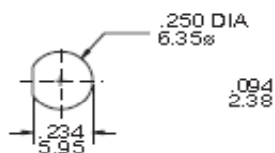
1/4 in. Bushing



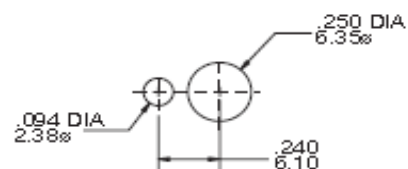
10-48 Bushing



10-48 Bushing w/o look Ring



10-48 Bushing w .look Ring



**SUB-Miniature - Toogle
Switch Type PC Terminal**

Part No.: **Q48A410**

Customer:

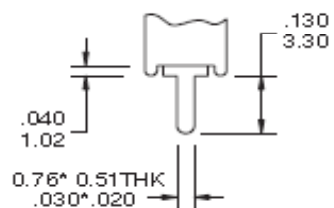
DRW:	Jason	CHKD	Wilson	MATL:	Wilson	TOLERANCE	Mason	DATE	27.01.2017
APPD:	Schumi			FINISH	Jamy		Sheet No.	6 from 10	

EDCON-COMPONENTS



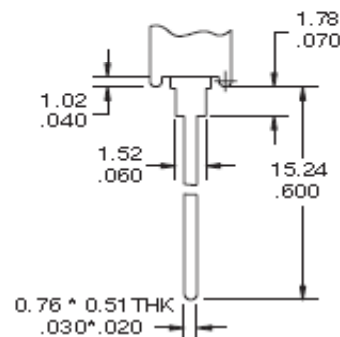
Terminal Option Order Code

PC Terminal

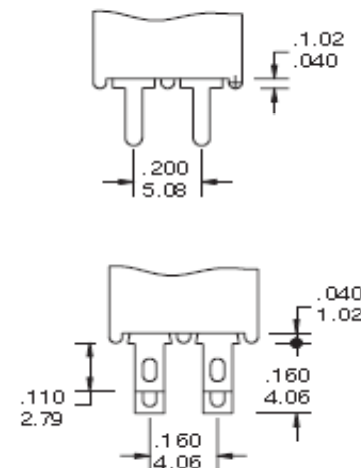


Code= B

Wire Wrap Terminal



Code= C



Terminal Seal Order Code



Code= 0 without Seal
Code= 1 with Seal

**SUB-Miniature - Toogle
Switch Type PC Terminal**
Part No.: **Q48A410**

DRW:	Jason	CHKD	Wilson	MATL:	Wilson	TOLERANCE	Mason	DATE	27.01.2017
APPD:	Schumi			FINISH	Jamy		Sheet No.	7 from 10	Customer:

www.edcon-components.com

email: info@edcon-components.com

EDCON-COMPONENTS



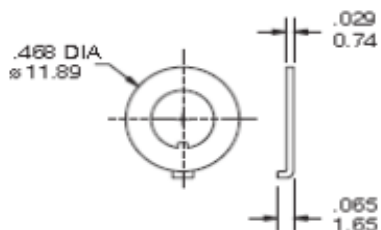
Contact Material Order Code

Order Code	Contact Material	Terminal Material	Rating
A	Silver Plated	Silver Plated	5A @ 125VAC or 28VDC 3A @ 250VAC
B	Gold plated over nickel plated	Gold plated over nickel plated	0,4A max @20VAC or DC max.
C	Gold plated over silver plated	Gold plated over silver plated	0,4A max @20VAC or DC max.or 5A @ 125VAC or 28VDC 3A @ 250VAC

Locking Ring Order Code

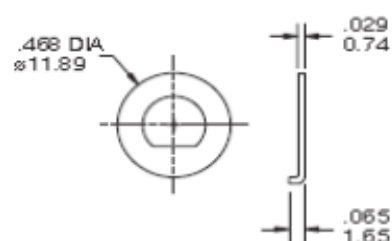
Lock Washer Order Code

Standard 10-42



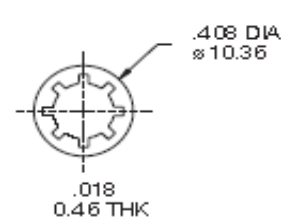
Code = A

Standard 1/4-40 Type 2



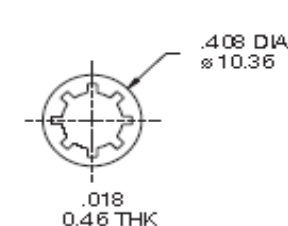
Code = B

Standard 10-42



Code = 1

Standard 1/4-40



Code = 2

SUB-Miniature - Toogle Switch Type PC Terminal

Part No.: **Q48A410**

DRW:	Jason	CHKD	Wilson	MATL:	Wilson	TOLERANCE	Mason	DATE	27.01.2017	Customer:
APPD:	Schumi			FINISH	Jamy		Sheet No.	8 from 10		

EDCON-COMPONENTS



Ordering Informations

Serie	Switching Position	Toogle Options	Cap Options	Bushing Options	Terminal Options	Terminal Seal Options	Contact Mat. Options	Nut Options	Locking Options	Look Washer options	ROHS
Q48A410	1xx	Ax	xx	Bx	X	X	X	N	N	N	R
	Look Page 2	Look Page 3 + 4	Look Page 4	Look Page 5 + 6	Look Page 8	Look Page 8	Look Page 9	Look Page 10	Look Page 11	Look Page 11	R= ROHS Conform N= NON ROHS Conform

Packing Code

B

B= Bulk Ware
I= Individual Package

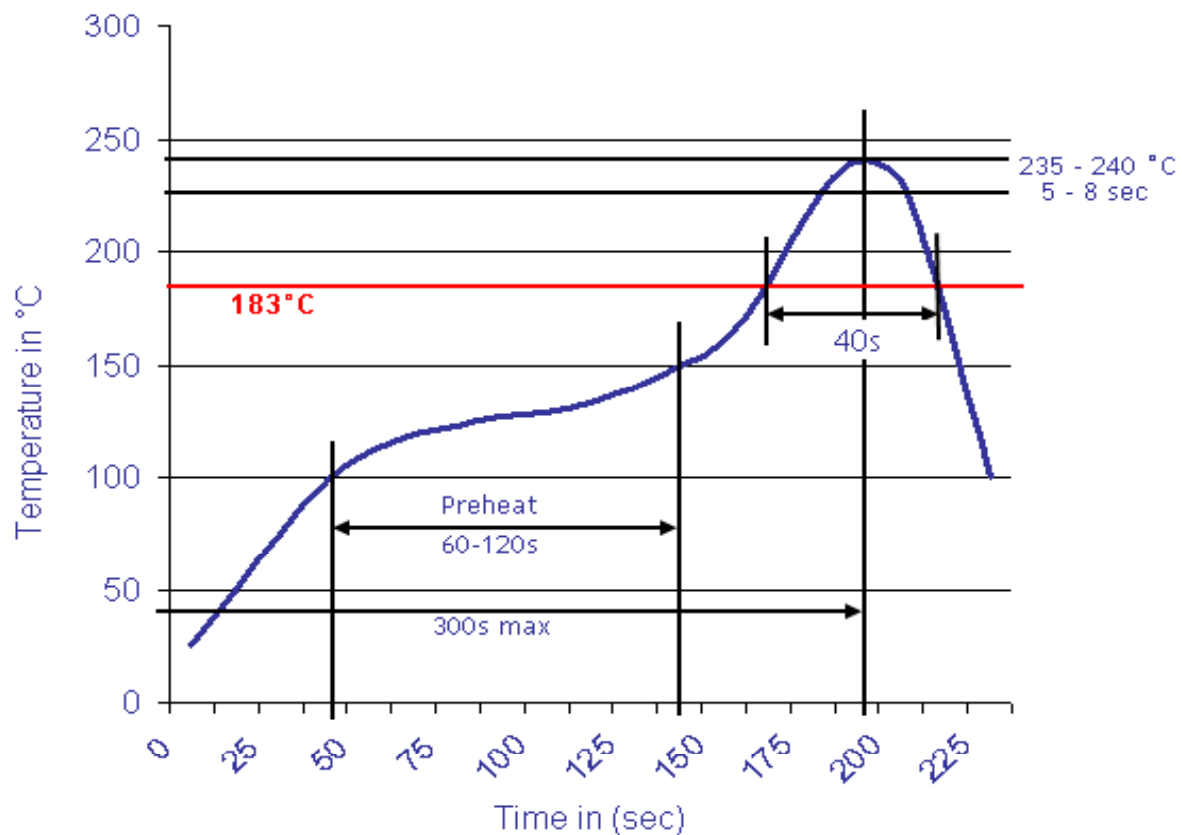
SUB-Miniature - Toogle Switch Type PC Terminal
Part No.: **Q48A410**

DRW:	Jason	CHKD	Wilson	MATL:	Wilson	TOLERANCE	Mason	DATE	27.01.2017	Customer:
APPD:	Schumi			FINISH	Jamy		Sheet No.	9 from 10		



Soldering Profile Curve

Classification Reflow Profile (JEDEC J-STD-020C)



SUB-Miniature - Toogle Switch Type PC Terminal	
Part No.:	Q48A410
Customer:	

DRW:	Jason	CHKD	Wilson	MATL:	Wilson	TOLERANCE	Mason	DATE	27.01.2017
APPD:	Schumi			FINISH	Jamy		Sheet No.	10 from 10	