



# DATA SHEET

## SUB-Miniature - Toogle Switch Type PC Terminal

### Serie: Q48A409

<b>SUB-Miniature - Toogle Switch Type PC Terminal</b>	
Serie No.:	<b>Q48A409</b>
Customer:	

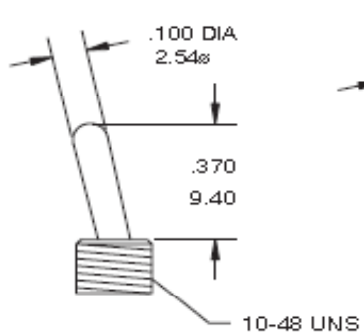
DRW:	Jason	CHKD	Wilson	MATL:	Wilson	TOLERANCE	Mason	DATE	27.01.2017
APPD:	Schumi			FINISH	Jamy		Sheet No.	1 from 10	



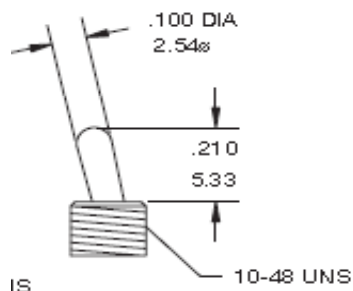
# EDCON-COMPONENTS



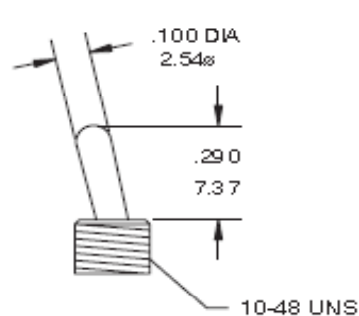
## Actuator Optional Order Code



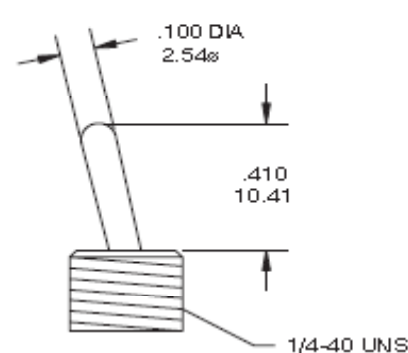
**Code AA**  
Toggle Plastic Caps Look  
Page 4



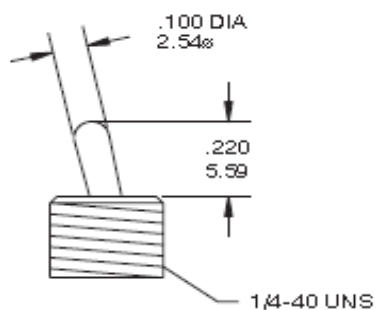
**Code AB**



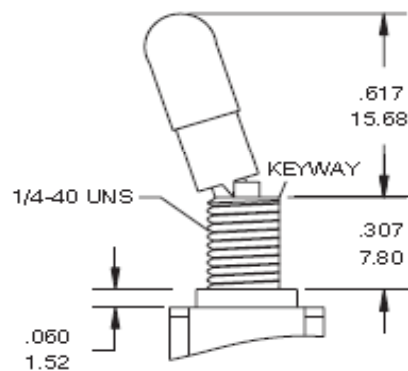
**Code AC**



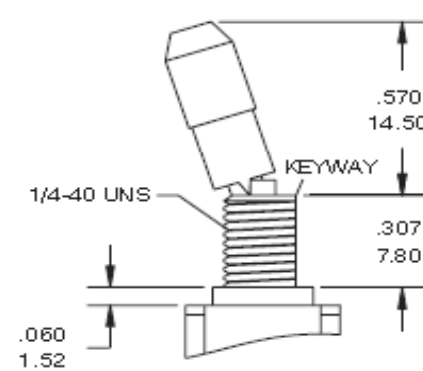
**Code AD**



**Code AE**



**Code AF**



**Code AG**

<b>SUB-Miniature - Toogle Switch Type PC Terminal</b>	
Part No.:	<b>Q48A409</b>
Customer:	

DRW:	Jason	CHKD	Wilson	MATL:	Wilson	TOLERANCE	Mason	DATE	27.01.2017
APPD:	Schumi			FINISH	Jamy		Sheet No.		3 from 10

# EDCON-COMPONENTS



## Actuator Optional Order Code

Toogle Plastic Caps Order Code Toogle Type AA		<p>Only for Actuator AA</p> <p>.370 9.40 Material Vinyl</p>
00	w/o Cap	
A1	white	
A2	black	
A3	red	
A4	yellow	
A5	green	
A6	blue	

**SUB-Miniature - Toogle Switch Type PC Terminal**

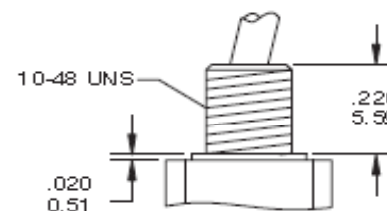
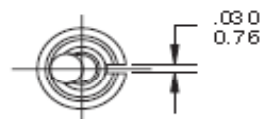
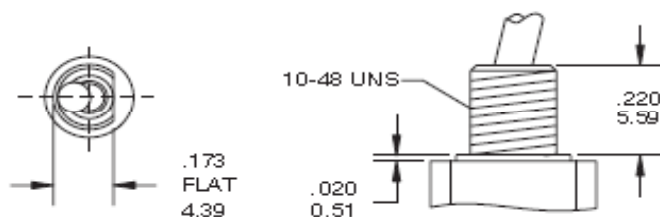
Part No.: **Q48A409**

DRW:	Jason	CHKD	Wilson	MATL:	Wilson	TOLERANCE	Mason	DATE	27.01.2017	Customer:
APPD:	Schumi			FINISH	Jamy		Sheet No.	4 from 10		

# EDCON-COMPONENTS

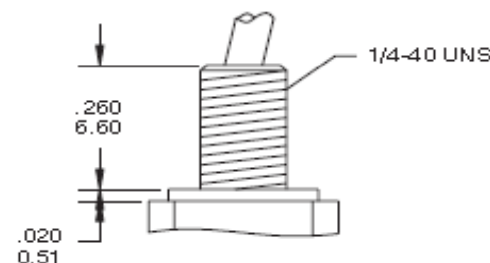
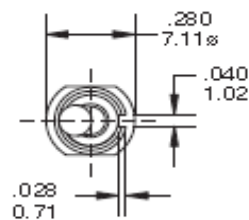
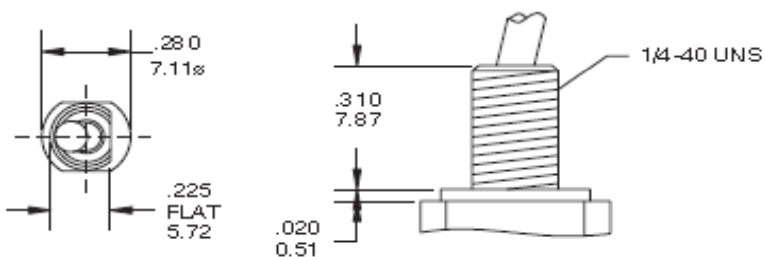


## Bushing Options Order Code



**Code BA** = with thread 10-48  
**Code BB** = without thread  
**Code BH** = with thread M5

**Code BC** = with thread 10-48  
**Code BD** = without thread



**Code BE** = with Thread 1/4-40  
**Code BF** = without Thread

**Code BF** = with Thread 1/4-40  
**Code BG** = without Thread

**SUB-Miniature - Toogle  
 Switch Type PC Terminal**

Part No.: **Q48A409**

DRW:	Jason	CHKD	Wilson	MATL:	Wilson	TOLERANCE	Mason	DATE	27.01.2017
APPD:	Schumi			FINISH	Jamy		Sheet No.		5 from 10

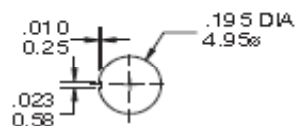
Customer:

# EDCON-COMPONENTS

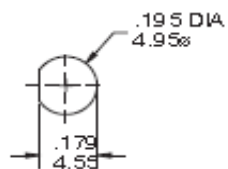


## Panel Mounting Informations

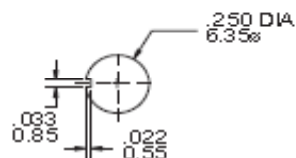
### 1/4 in. Bushing



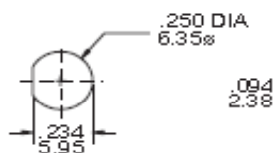
### 1/4 in. Bushing



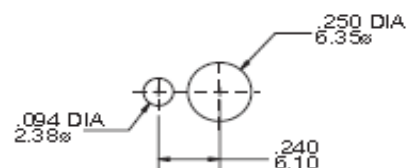
### 10-48 Bushing



### 10-48 Bushing w/o look Ring



### 10-48 Bushing w .look Ring



**SUB-Miniature - Toogle  
Switch Type PC Terminal**

Part No.: **Q48A409**

Customer:

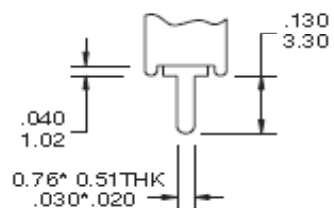
DRW:	Jason	CHKD	Wilson	MATL:	Wilson	TOLERANCE	Mason	DATE	27.01.2017
APPD:	Schumi			FINISH	Jamy		Sheet No.	7 from 10	

# EDCON-COMPONENTS



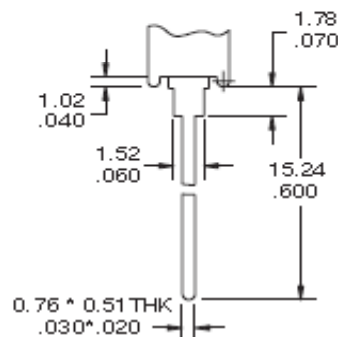
## Terminal Option Order Code

PC Terminal

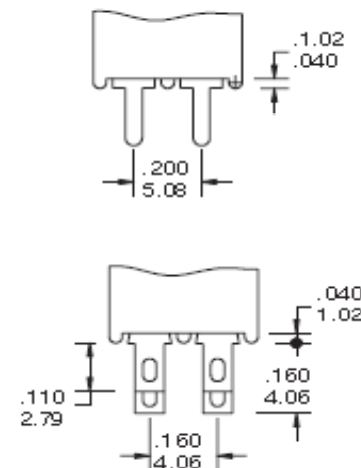


**Code= B**

Wire Wrap Terminal



**Code= C**



## Terminal Seal Order Code



**Code= 0** without Seal  
**Code= 1** with Seal

**SUB-Miniature - Toogle  
Switch Type PC Terminal**

Part No.: **Q48A409**

Customer:

DRW:	Jason	CHKD	Wilson	MATL:	Wilson	TOLERANCE	Mason	DATE	27.01.2017
APPD:	Schumi			FINISH	Jamy		Sheet No.	7 from 10	

# EDCON-COMPONENTS



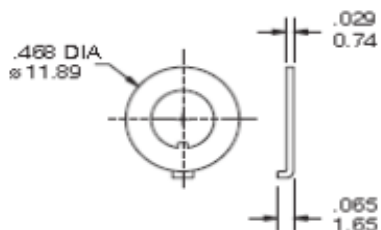
## Contact Material Order Code

Order Code	Contact Material	Terminal Material	Rating
<b>A</b>	Silver Plated	Silver Plated	5A @ 125VAC or 28VDC 3A @ 250VAC
<b>B</b>	Gold plated over nickel plated	Gold plated over nickel plated	0,4A max @20VAC or DC max.
<b>C</b>	Gold plated over silver plated	Gold plated over silver plated	0,4A max @20VAC or DC max.or 5A @ 125VAC or 28VDC 3A @ 250VAC

## Locking Ring Order Code

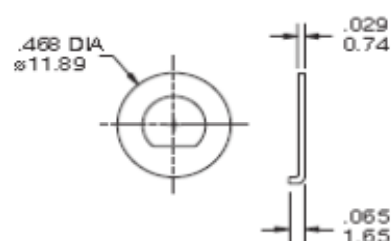
## Lock Washer Order Code

### Standard 10-42



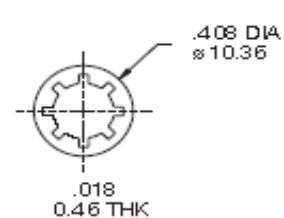
Code = A

### Standard 1/4-40 Type 2



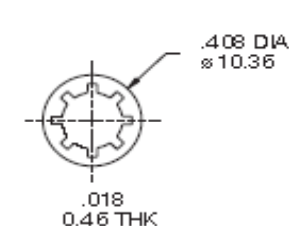
Code = B

### Standard 10-42



Code = 1

### Standard 1/4-40



Code = 2

### SUB-Miniature - Toogle Switch Type PC Terminal

Part No.: **Q48A409**

DRW:	Jason	CHKD	Wilson	MATL:	Wilson	TOLERANCE	Mason	DATE	27.01.2017	Customer:
APPD:	Schumi			FINISH	Jamy		Sheet No.	8 from 10		



# EDCON-COMPONENTS



## Ordering Informations

Serie	Switching Position	Toogle Options	Cap Options	Bushing Options	Terminal Options	Terminal Seal Options	Contact Mat. Options	Nut Options	Locking Options	Look Washer options	ROHS
<b>Q48A409</b>	<b>1xx</b>	<b>Ax</b>	<b>xx</b>	<b>Bx</b>	<b>X</b>	<b>X</b>	<b>X</b>	<b>N</b>	<b>N</b>	<b>N</b>	<b>R</b>
	Look Page 2	Look Page 3 + 4	Look Page 4	Look Page 5 + 6	Look Page 8	Look Page 8	Look Page 9	Look Page 10	Look Page 11	Look Page 11	R= ROHS Conform N= NON ROHS Conform

Packing Code

**B**

**B= Bulk Ware**  
**I= Individual Package**

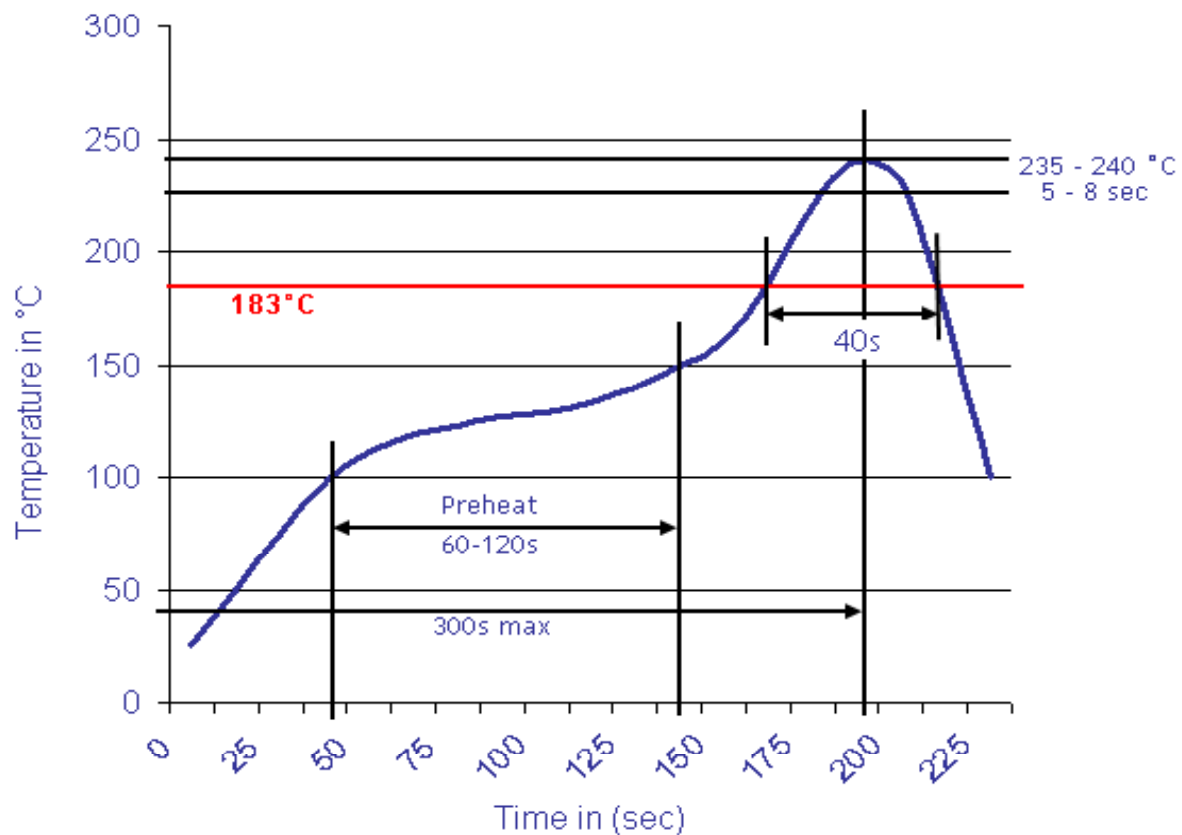
**SUB-Miniature - Toogle Switch Type PC Terminal**  
Part No.: **Q48A409**

DRW:	Jason	CHKD	Wilson	MATL:	Wilson	TOLERANCE	Mason	DATE	27.01.2017	Customer:
APPD:	Schumi			FINISH	Jamy		Sheet No.	9 from 10		



Soldering Profile Curve

Classification Reflow Profile (JEDEC J-STD-020C)



<b>SUB-Miniature - Toogle Switch Type PC Terminal</b>	
Part No.:	<b>Q48A409</b>
Customer:	

DRW:	Jason	CHKD	Wilson	MATL:	Wilson	TOLERANCE	Mason	DATE	27.01.2017
APPD:	Schumi			FINISH	Jamy		Sheet No.	10 from 10	