



# DATA SHEET

## SUB-Miniature - Toogle Switch Type Bracket

### Serie: Q48A407

<b>SUB-Miniature - Toogle Switch Type Bracket</b>	
Serie No.:	<b>Q48A407</b>
Customer:	

DRW:	Jason	CHKD	Wilson	MATL:	Wilson	TOLERANCE	Mason	DATE	18.12.2015
APPD:	Schumi			FINISH	Jamy		Sheet No.	1 from 10	

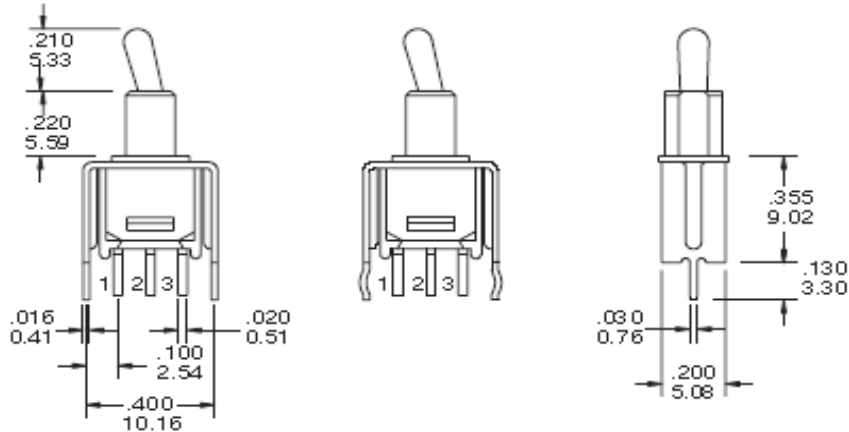
# EDCON-COMPONENTS



## Technical Informations

Contact Rating: 3A @ 120VAC or 28VDC (silver plated)  
 Contact Resistance: 20mΩ max initial @ 2-4VDC, 100mA  
 Electrical Lifetime: 30.000 make and break cycles full loaded  
 Insulation Resistance: 1000MΩ min.  
 Dielectric Strength: 1500V RMS @ sea level  
 Operating Temperature: -30°C to + 85°C

Housing: Stainless Steel  
 Case: Diallyl phthalate  
 Contact and Terminal: copper alloy, silver plated  
 Bushing: copper alloy, nickel plated  
 Toggle: copper alloy, chrome plated  
 Switch Support: copper alloy, tin plated



Switching Pos. Order Code	Switching Position		
<b>100</b>	ON	NONE	ON
<b>101</b>	ON	OFF	ON
<b>102</b>	ON	NONE	(ON)
<b>103</b>	(ON)	OFF	(ON)
<b>104</b>	ON	OFF	(ON)
<b>Tem. Com</b>	<b>2 - 3</b>	<b>open</b>	<b>2 - 1</b>



**SUB-Miniature - Toogle  
Switch Type Bracket**

Part No.: **Q48A407**

DRW:	Jason	CHKD	Wilson	MATL:	Wilson	TOLERANCE	Mason	DATE	18.12.2015	Customer:
APPD:	Schumi			FINISH	Jamy			Sheet No.	2 from 10	

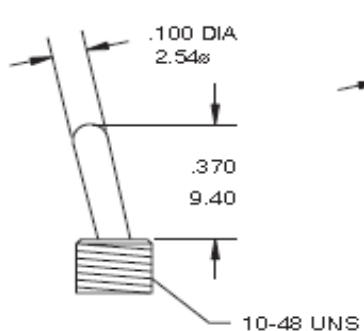
[www.edcon-components.com](http://www.edcon-components.com)

email: info@edcon-components.com

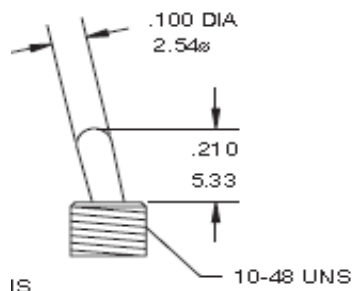
# EDCON-COMPONENTS



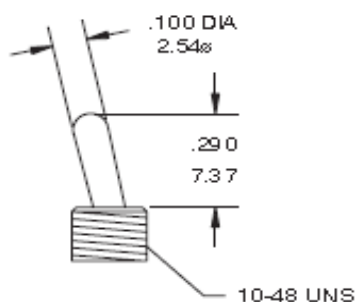
## Actuator Optional Order Code



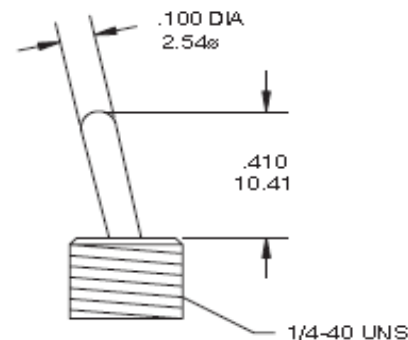
**Code AA**  
Toggle Plastic Caps Look Page 4



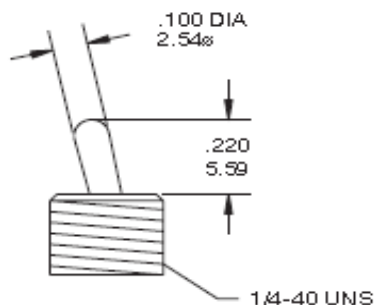
**Code AB**



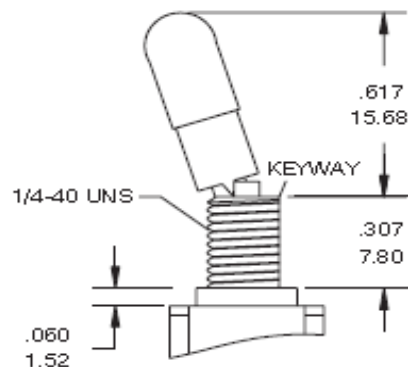
**Code AC**



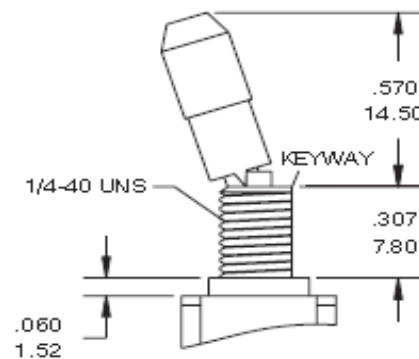
**Code AD**



**Code AE**



**Code AF**



**Code AG**

<b>SUB-Miniature - Toogle Switch Type Bracket</b>	
Part No.:	<b>Q48A407</b>
Customer:	

DRW:	Jason	CHKD	Wilson	MATL:	Wilson	TOLERANCE	Mason	DATE	18.12.2015
APPD:	Schumi			FINISH	Jamy		Sheet No.	3 from 10	

# EDCON-COMPONENTS



## Actuator Optional Order Code

Toogle Plastic Caps Order Code Toogle Type AA		<p>Only for Actuator AA</p>
00	w/o Cap	
A1	white	
A2	black	
A3	red	
A4	yellow	
A5	green	
A6	blue	

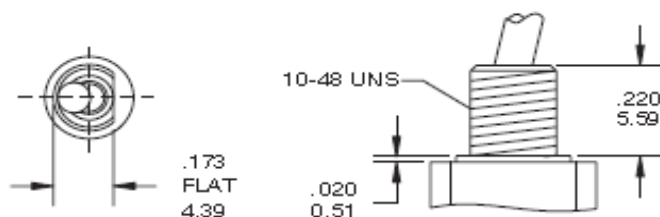
<b>SUB-Miniature - Toogle Switch Type Bracket</b>	
Part No.:	<b>Q48A407</b>
Customer:	

DRW:	Jason	CHKD	Wilson	MATL:	Wilson	TOLERANCE	Mason	DATE	18.12.2015
APPD:	Schumi			FINISH	Jamy		Sheet No.	4 from 10	

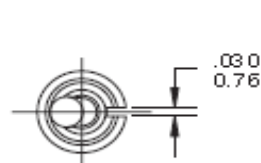
# EDCON-COMPONENTS



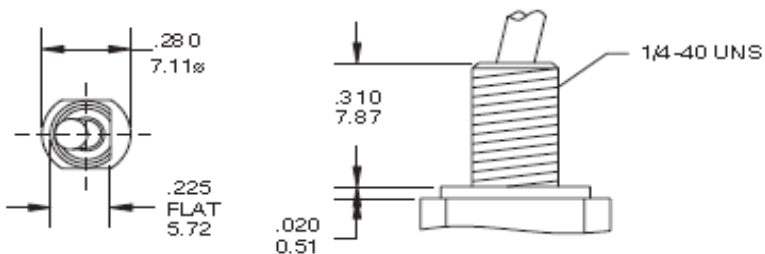
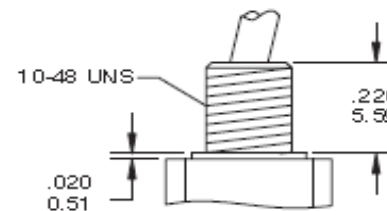
## Bushing Options Order Code



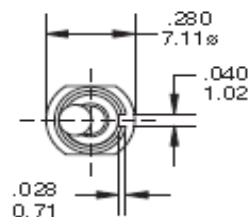
**Code BA** = with thread  
**Code BB** = without thread



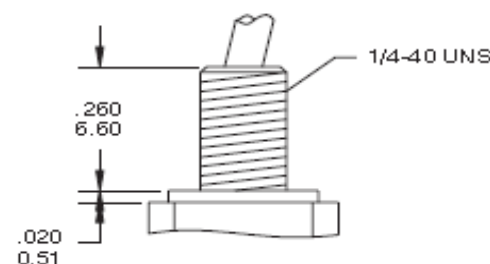
**Code BC** = with thread  
**Code BD** = without thread



**Code BE** = with Thread  
**Code BF** = without Thread



**Code BF** = with Thread  
**Code BG** = without Thread



### SUB-Miniature - Toogle Switch Type Bracket

Part No.: **Q48A407**

DRW:	Jason	CHKD	Wilson	MATL:	Wilson	TOLERANCE	Mason	DATE	18.12.2015
APPD:	Schumi			FINISH	Jamy		Sheet No.		5 from 10

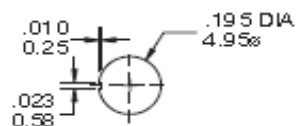
Customer:

# EDCON-COMPONENTS

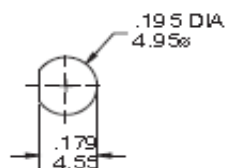


## Panel Mounting Informations

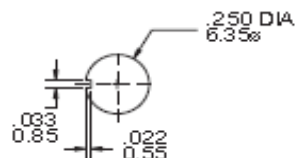
### 1/4 in. Bushing



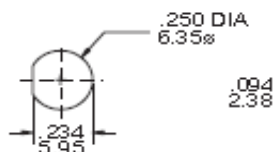
### 1/4 in. Bushing



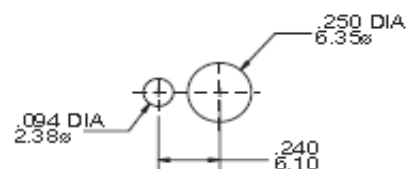
### 10-48 Bushing



### 10-48 Bushing w/o look Ring



### 10-48 Bushing w .look Ring



**SUB-Miniature - Toogle  
Switch Type Bracket**

Part No.: **Q48A407**

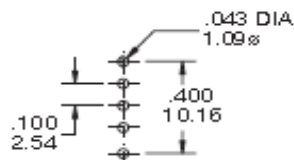
DRW:	Jason	CHKD	Wilson	MATL:	Wilson	TOLERANCE	Mason	DATE	18.12.2015
APPD:	Schumi			FINISH	Jamy		Sheet No.	7 from 10	Customer:

# EDCON-COMPONENTS



## Terminal Option Order Code

### Bracket Type



Code= A w/o Snap-In Bracket  
Code= B with Snap-In Bracket

## Terminal Seal Order Code



Code= 0 without Seal  
Code= 1 with Seal

**SUB-Miniature - Toogle  
Switch Type Bracket**

Part No.: **Q48A407**

DRW:	Jason	CHKD	Wilson	MATL:	Wilson	TOLERANCE	Mason	DATE	18.12.2015	Customer:
APPD:	Schumi			FINISH	Jamy		Sheet No.	7 from 10		

[www.edcon-components.com](http://www.edcon-components.com)

email: [info@edcon-components.com](mailto:info@edcon-components.com)

# EDCON-COMPONENTS



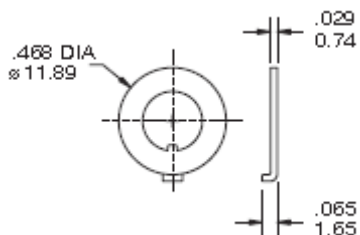
## Contact Material Order Code

Order Code	Contact Material	Terminal Material	Rating
<b>A</b>	Silver Plated	Silver Plated	5A @ 125VAC or 28VDC 3A @ 250VAC
<b>B</b>	Gold plated over nickel plated	Gold plated over nickel plated	0,4A max @20VAC or DC max.
<b>C</b>	Gold plated over silver plated	Gold plated over silver plated	0,4A max @20VAC or DC max.or 5A @ 125VAC or 28VDC 3A @ 250VAC

## Locking Ring Order Code

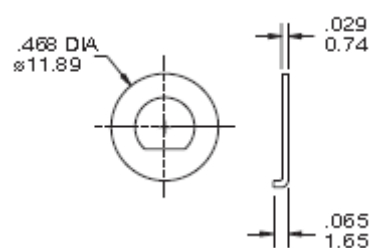
## Lock Washer Order Code

### Standard 10-42



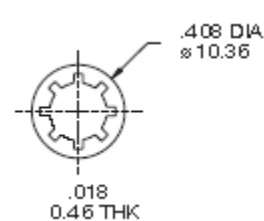
Code = A

### Standard 1/4-40 Type 2



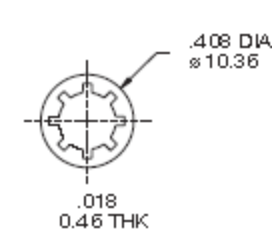
Code = B

### Standard 10-42



Code = 1

### Standard 1/4-40



Code = 2

### SUB-Miniature - Toogle Switch Type Bracket

Part No.: **Q48A407**

DRW:	Jason	CHKD	Wilson	MATL:	Wilson	TOLERANCE	Mason	DATE	18.12.2015	Customer:
APPD:	Schumi			FINISH	Jamy		Sheet No.	8 from 10		



# EDCON-COMPONENTS



## Ordering Informations

Serie	Switching Position	Toogle Options	Cap Options	Bushing Options	Terminal Options	Terminal Seal Options	Contact Mat. Options	Nut Options	Locking Options	Look Washer options	ROHS
<b>Q48A407</b>	<b>1xx</b>	<b>Ax</b>	<b>xx</b>	<b>Bx</b>	<b>X</b>	<b>X</b>	<b>X</b>	<b>N</b>	<b>N</b>	<b>N</b>	<b>R</b>
	Look Page 2	Look Page 3 + 4	Look Page 4	Look Page 5 + 6	Look Page 8	Look Page 8	Look Page 9	Look Page 10	Look Page 11	Look Page 11	R= ROHS Conform N= NON ROHS Conform

Packing Code

**B**

**B=** Bulk Ware  
**I=** Individual Package

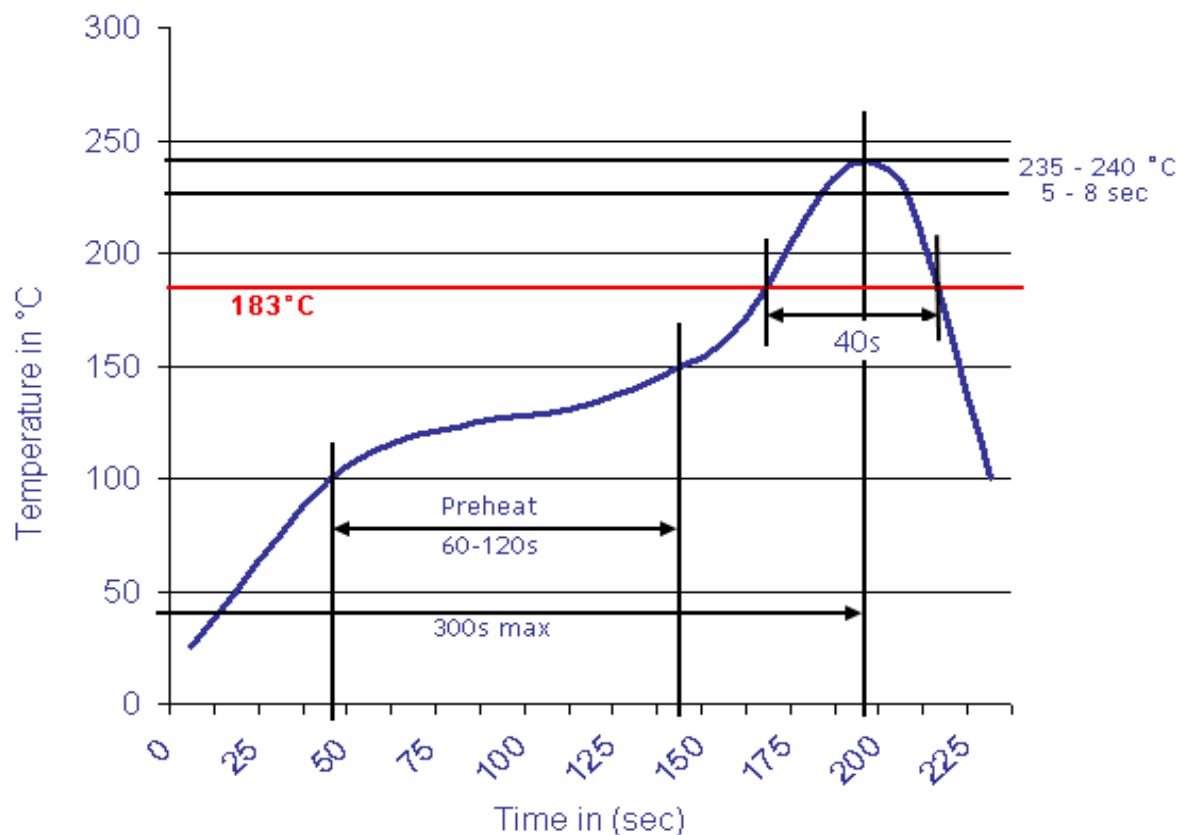
**SUB-Miniature - Toogle Switch Type Bracket**  
Part No.: **Q48A407**  
Customer:

DRW:	Jason	CHKD	Wilson	MATL:	Wilson	TOLERANCE	Mason	DATE	18.12.2015
APPD:	Schumi			FINISH	Jamy		Sheet No.		9 from 10



Soldering Profile Curve

Classification Reflow Profile (JEDEC J-STD-020C)



<b>SUB-Miniature - Toogle Switch Type Bracket</b>	
Part No.:	<b>Q48A407</b>
Customer:	

DRW:	Jason	CHKD	Wilson	MATL:	Wilson	TOLERANCE	Mason	DATE	18.12.2015
APPD:	Schumi			FINISH	Jamy		Sheet No.	10 from 10	