



# DATA SHEET

## SUB-Miniature - Toogle Switch Type R/A V-Type

### Serie: Q48A406

<b>SUB-Miniature - Toogle Switch Type R/A V-Type</b>	
Serie No.:	<b>Q48A406</b>
Customer:	

DRW:	Jason	CHKD	Wilson	MATL:	Wilson	TOLERANCE	Mason	DATE	18.12.2015
APPD:	Schumi			FINISH	Jamy		Sheet No.		1 from 10

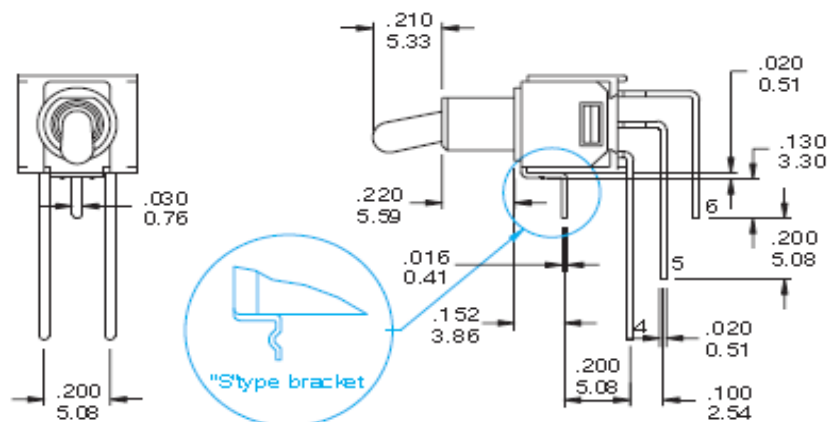
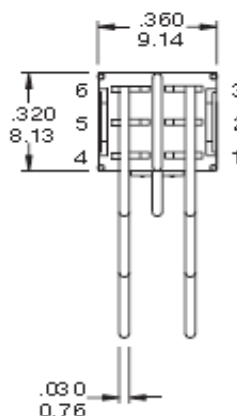
# EDCON-COMPONENTS



## Technical Informations

Contact Rating: 3A @ 120VAC or 28VDC (silver plated)  
 Contact Resistance: 20mΩ max initial @ 2-4VDC, 100mA  
 Electrical Lifetime: 30.000 make and break cycles full loaded  
 Insulation Resistance: 1000MΩ min.  
 Dielectric Strength: 1500V RMS @ sea level  
 Operating Temperature: -30°C to + 85°C

Housing: Stainless Steel  
 Case: Diallyl phthalate  
 Contact and Terminal: copper alloy, silver plated  
 Bushing: copper alloy, nickel plated  
 Toggle: copper alloy, chrome plated  
 Switch Support: copper alloy, tin plated



Switching Pos. Order Code	Switching Position		
200	ON	NONE	ON
201	ON	OFF	ON
202	ON	NONE	(ON)
203	(ON)	OFF	(ON)
204	ON	OFF	(ON)
Tem. Com	2-3, 5-6	open	2-1, 5-4
205	ON	ON	ON
Tem. Com	2-3, 5-6	2-3, 5-4	2-1, 5-4



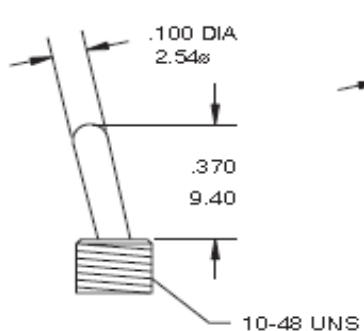
<b>SUB-Miniature - Toogle Switch Type R/A V-Type</b>	
Part No.:	<b>Q48A406</b>
Customer:	

DRW:	Jason	CHKD	Wilson	MATL:	Wilson	TOLERANCE	Mason	DATE	18.12.2015
APPD:	Schumi			FINISH	Jamy		Sheet No.	2 from 10	

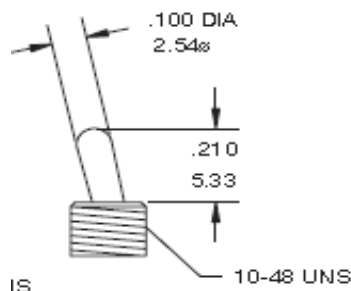
# EDCON-COMPONENTS



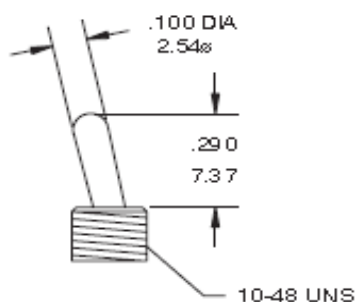
## Actuator Optional Order Code



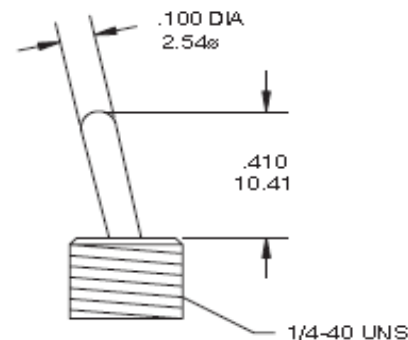
**Code AA**  
Toogle Plastic Caps Look  
Page 4



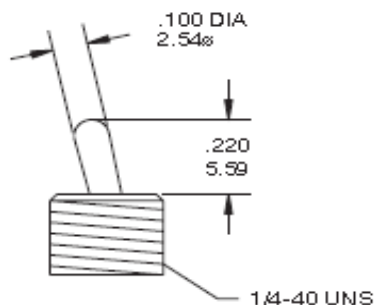
**Code AB**



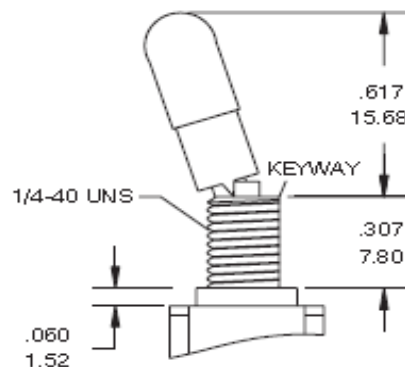
**Code AC**



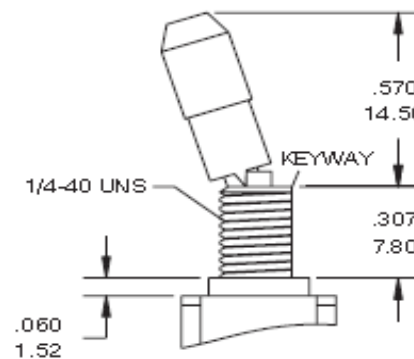
**Code AD**



**Code AE**



**Code AF**



**Code AG**

<b>SUB-Miniature - Toogle Switch Type R/A V-Type</b>	
Part No.:	<b>Q48A406</b>
Customer:	

DRW:	Jason	CHKD	Wilson	MATL:	Wilson	TOLERANCE	Mason	DATE	18.12.2015
APPD:	Schumi			FINISH	Jamy		Sheet No.		3 from 10

# EDCON-COMPONENTS



## Actuator Optional Order Code

Toogle Plastic Caps Order Code Toogle Type AA		<p>Only for Actuator AA</p> <p>.370 9.40 Material Vinyl</p>
00	w/o Cap	
A1	white	
A2	black	
A3	red	
A4	yellow	
A5	green	
A6	blue	

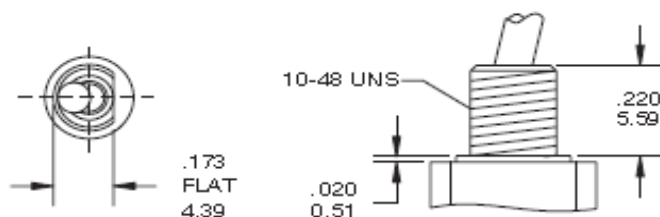
<b>SUB-Miniature - Toogle Switch Type R/A V-Type</b>	
Part No.:	<b>Q48A406</b>
Customer:	

DRW:	Jason	CHKD	Wilson	MATL:	Wilson	TOLERANCE	Mason	DATE	18.12.2015
APPD:	Schumi			FINISH	Jamy		Sheet No.	4 from 10	

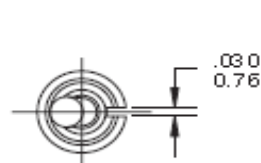
# EDCON-COMPONENTS



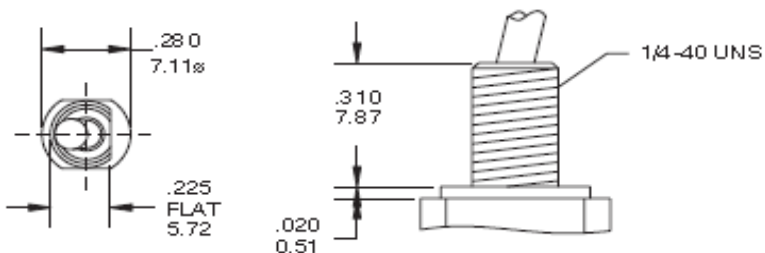
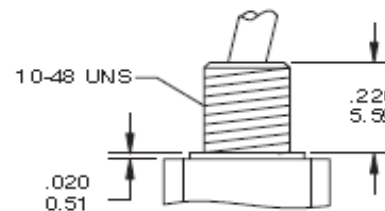
## Bushing Options Order Code



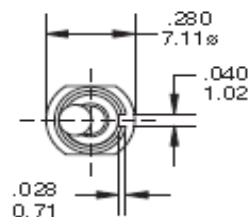
**Code BA** = with thread  
**Code BB** = without thread



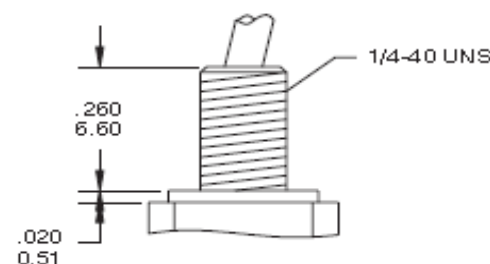
**Code BC** = with thread  
**Code BD** = without thread



**Code BE** = with Thread  
**Code BF** = without Thread



**Code BF** = with Thread  
**Code BG** = without Thread



**SUB-Miniature - Toogle Switch Type R/A V-Type**

Part No.: **Q48A406**

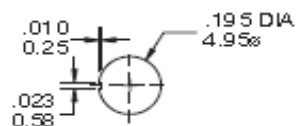
DRW:	Jason	CHKD	Wilson	MATL:	Wilson	TOLERANCE	Mason	DATE	18.12.2015
APPD:	Schumi			FINISH	Jamy		Sheet No.	5 from 10	

Customer:

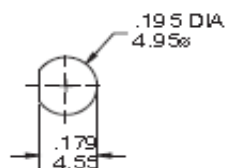


Panel Mounting Informations

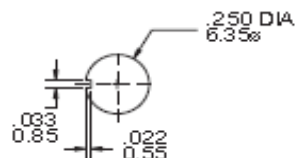
1/4 in. Bushing



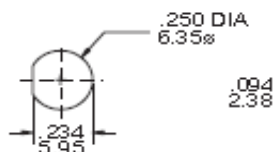
1/4 in. Bushing



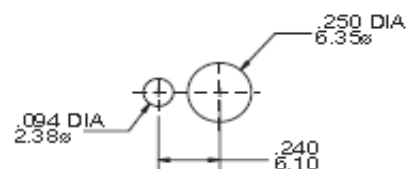
10-48 Bushing



10-48 Bushing w/o look Ring



10-48 Bushing w .look Ring



**SUB-Miniature - Toogle  
Switch Type R/A V-Type**

Part No.: **Q48A406**

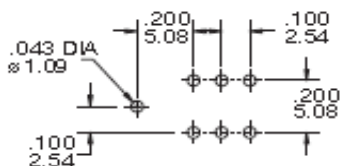
Customer:

DRW:	Jason	CHKD	Wilson	MATL:	Wilson	TOLERANCE	Mason	DATE	18.12.2015
APPD:	Schumi			FINISH	Jamy		Sheet No.	6 from 10	

# EDCON-COMPONENTS



## Terminal Option Order Code



Code= A

## Terminal Seal Order Code



Code= 0 without Seal  
Code= 1 with Seal

**SUB-Miniature - Toogle  
Switch Type R/A V-Type**

Part No.: **Q48A406**

DRW:	Jason	CHKD	Wilson	MATL:	Wilson	TOLERANCE	Mason	DATE	18.12.2015	Customer:
APPD:	Schumi			FINISH	Jamy		Sheet No.	7 from 10		

[www.edcon-components.com](http://www.edcon-components.com)

email: [info@edcon-components.com](mailto:info@edcon-components.com)

# EDCON-COMPONENTS



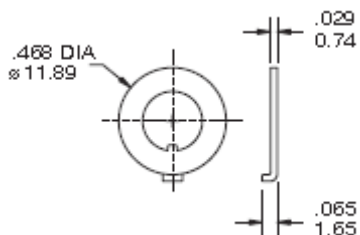
## Contact Material Order Code

Order Code	Contact Material	Terminal Material	Rating
<b>A</b>	Silver Plated	Silver Plated	5A @ 125VAC or 28VDC 3A @ 250VAC
<b>B</b>	Gold plated over nickel plated	Gold plated over nickel plated	0,4A max @20VAC or DC max.
<b>C</b>	Gold plated over silver plated	Gold plated over silver plated	0,4A max @20VAC or DC max.or 5A @ 125VAC or 28VDC 3A @ 250VAC

## Locking Ring Order Code

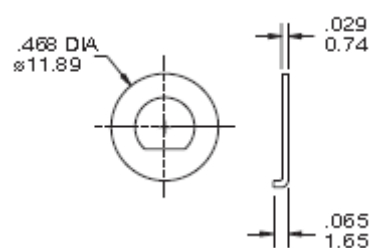
## Lock Washer Order Code

### Standard 10-42



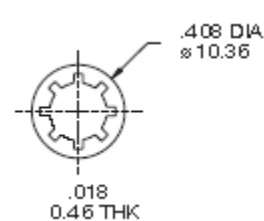
Code = A

### Standard 1/4-40 Type 2



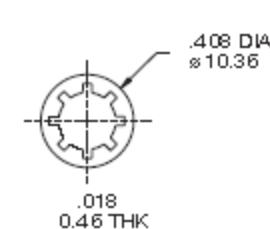
Code = B

### Standard 10-42



Code = 1

### Standard 1/4-40



Code = 2

## SUB-Miniature - Toogle Switch Type R/A V-Type

Part No.: **Q48A406**

DRW:	Jason	CHKD	Wilson	MATL:	Wilson	TOLERANCE	Mason	DATE	18.12.2015
APPD:	Schumi			FINISH	Jamy		Sheet No.		8 from 10

Customer:



# EDCON-COMPONENTS



## Ordering Informations

Serie	Switching Position	Toogle Options	Cap Options	Bushing Options	Terminal Options	Terminal Seal Options	Contact Mat. Options	Nut Options	Locking Options	Look Washer options	ROHS
<b>Q48A406</b>	<b>1xx</b>	<b>Ax</b>	<b>xx</b>	<b>Bx</b>	<b>A</b>	<b>X</b>	<b>X</b>	<b>N</b>	<b>N</b>	<b>N</b>	<b>R</b>
	Look Page 2	Look Page 3 + 4	Look Page 4	Look Page 5 + 6	Look Page 8	Look Page 8	Look Page 9	Look Page 10	Look Page 11	Look Page 11	R= ROHS Conform N= NON ROHS Conform

Packing Code

**B**

**B=** Bulk Ware  
**I=** Individual Package

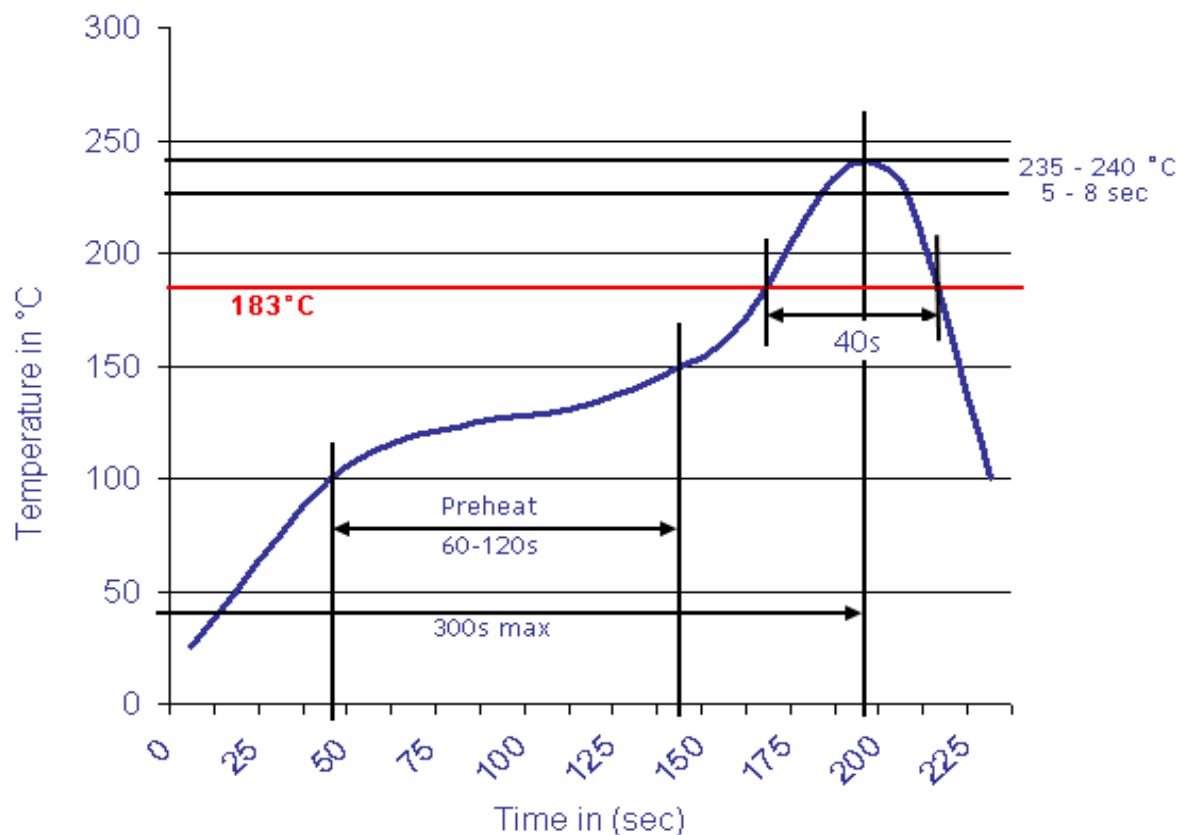
**SUB-Miniature - Toogle Switch Type R/A V-Type**  
Part No.: **Q48A406**

DRW:	Jason	CHKD	Wilson	MATL:	Wilson	TOLERANCE	Mason	DATE	18.12.2015	Customer:
APPD:	Schumi			FINISH	Jamy		Sheet No.	9 from 10		



Soldering Profile Curve

Classification Reflow Profile (JEDEC J-STD-020C)



<b>SUB-Miniature - Toggle Switch Type R/A V-Type</b>	
Part No.:	<b>Q48A406</b>
Customer:	

DRW:	Jason	CHKD	Wilson	MATL:	Wilson	TOLERANCE	Mason	DATE	18.12.2015
APPD:	Schumi			FINISH	Jamy		Sheet No.	10 from 10	