



DATA SHEET

SUB-Miniature - Toogle Switch Type R/A H-Type

Serie: Q48A405

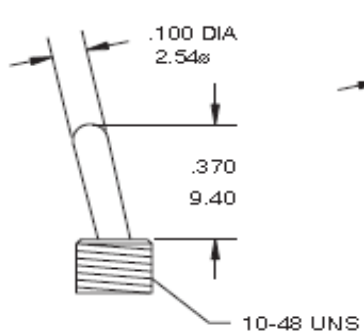
SUB-Miniature - Toogle Switch Type R/A H-Type	
Serie No.:	Q48A405
Customer:	

DRW:	Jason	CHKD	Wilson	MATL:	Wilson	TOLERANCE	Mason	DATE	18.12.2015
APPD:	Schumi			FINISH	Jamy		Sheet No.	1 from 10	

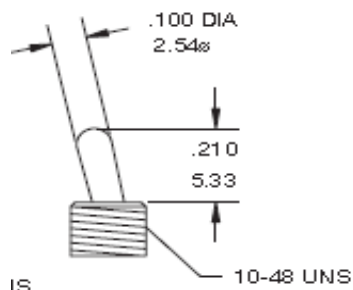
EDCON-COMPONENTS



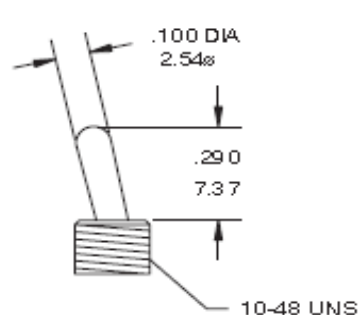
Actuator Optional Order Code



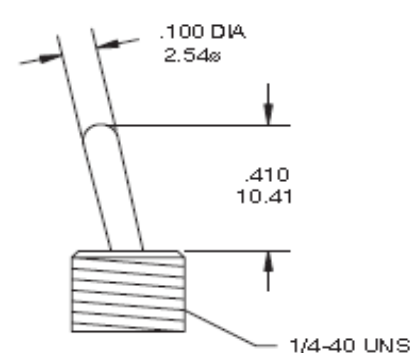
Code AA
Toogle Plastic Caps Look Page 4



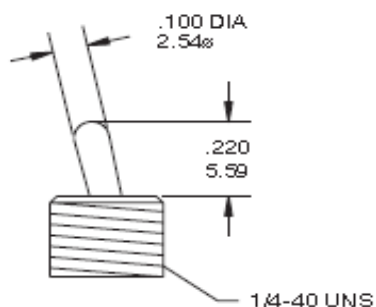
Code AB



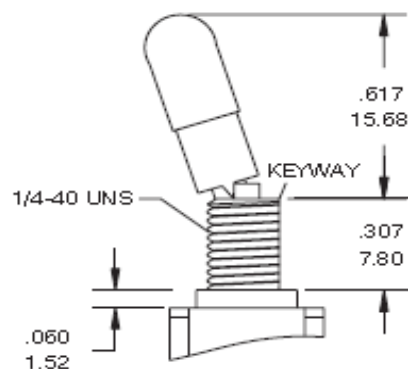
Code AC



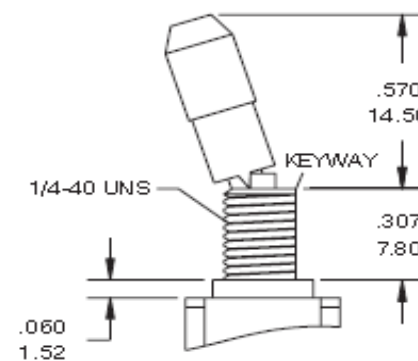
Code AD



Code AE



Code AF



Code AG

SUB-Miniature - Toogle Switch Type R/A H-Type	
Part No.:	Q48A405
Customer:	

DRW:	Jason	CHKD	Wilson	MATL:	Wilson	TOLERANCE	Mason	DATE	18.12.2015
APPD:	Schumi			FINISH	Jamy		Sheet No.		3 from 10

EDCON-COMPONENTS



Actuator Optional Order Code

Toogle Plastic Caps Order Code Toogle Type AA		<p>Only for Actuator AA</p>
00	w/o Cap	
A1	white	
A2	black	
A3	red	
A4	yellow	
A5	green	
A6	blue	

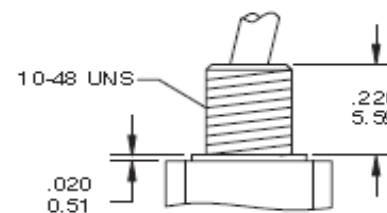
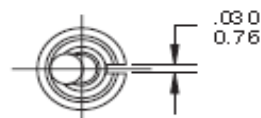
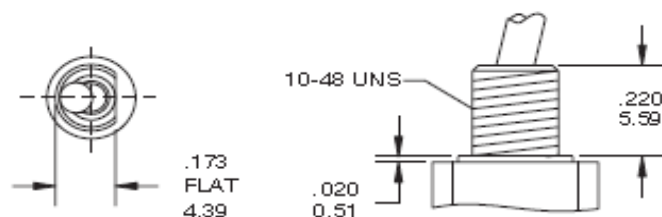
SUB-Miniature - Toogle Switch Type R/A H-Type	
Part No.:	Q48A405
Customer:	

DRW:	Jason	CHKD	Wilson	MATL:	Wilson	TOLERANCE	Mason	DATE	18.12.2015
APPD:	Schumi			FINISH	Jamy		Sheet No.	4 from 10	

EDCON-COMPONENTS

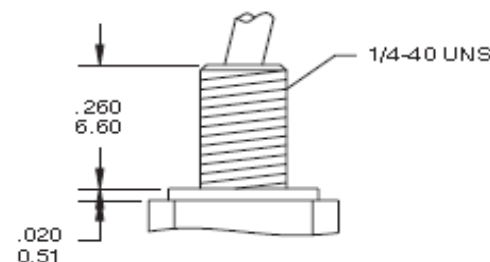
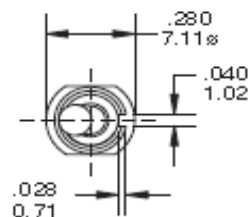
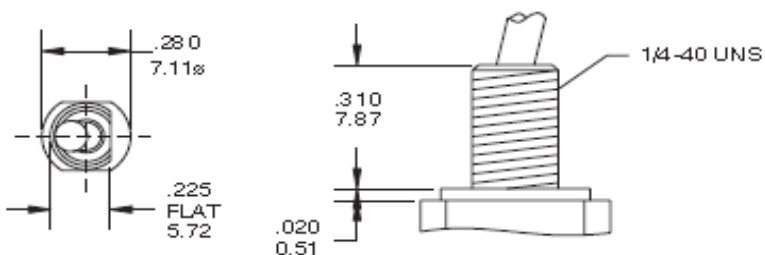


Bushing Options Order Code



Code BA = with thread
Code BB = without thread

Code BC = with thread
Code BD = without thread



Code BE = with Thread
Code BF = without Thread

Code BF = with Thread
Code BG = without Thread

**SUB-Miniature - Toogle
Switch Type R/A H-Type**

Part No.: **Q48A405**

DRW:	Jason	CHKD	Wilson	MATL:	Wilson	TOLERANCE	Mason	DATE	18.12.2015
APPD:	Schumi			FINISH	Jamy		Sheet No.	5 from 10	

Customer:

www.edcon-components.com

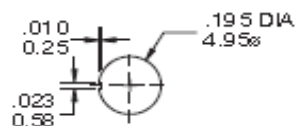
email: info@edcon-components.com

EDCON-COMPONENTS

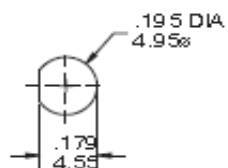


Panel Mounting Informations

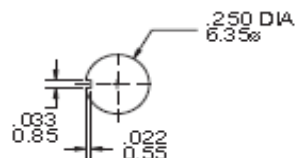
1/4 in. Bushing



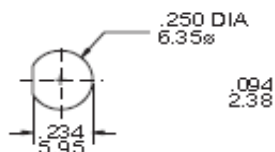
1/4 in. Bushing



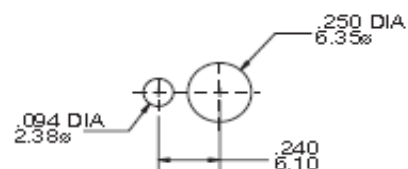
10-48 Bushing



10-48 Bushing w/o look Ring



10-48 Bushing w .look Ring



**SUB-Miniature - Toogle
Switch Type R/A H-Type**

Part No.: **Q48A405**

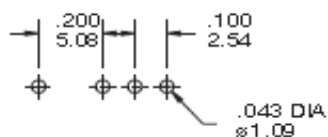
Customer:

DRW:	Jason	CHKD	Wilson	MATL:	Wilson	TOLERANCE	Mason	DATE	18.12.2015
APPD:	Schumi			FINISH	Jamy		Sheet No.	6 from 10	

EDCON-COMPONENTS



Terminal Option Order Code



Code= A

Terminal Seal Order Code



Code= 0 without Seal
Code= 1 with Seal

**SUB-Miniature - Toogle
 Switch Type R/A H-Type**

Part No.: **Q48A405**

DRW:	Jason	CHKD	Wilson	MATL:	Wilson	TOLERANCE	Mason	DATE	18.12.2015
APPD:	Schumi			FINISH	Jamy		Sheet No.	7 from 10	

Customer:

EDCON-COMPONENTS



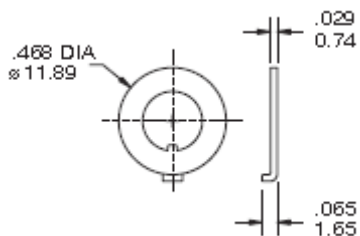
Contact Material Order Code

Order Code	Contact Material	Terminal Material	Rating
A	Silver Plated	Silver Plated	5A @ 125VAC or 28VDC 3A @ 250VAC
B	Gold plated over nickel plated	Gold plated over nickel plated	0,4A max @20VAC or DC max.
C	Gold plated over silver plated	Gold plated over silver plated	0,4A max @20VAC or DC max.or 5A @ 125VAC or 28VDC 3A @ 250VAC

Locking Ring Order Code

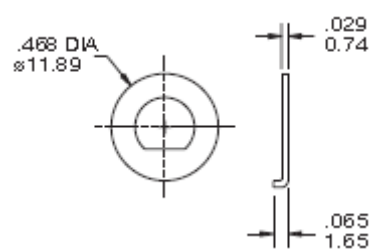
Lock Washer Order Code

Standard 10-42



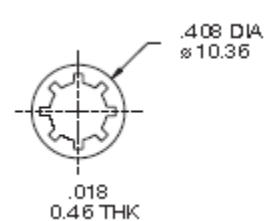
Code = A

Standard 1/4-40 Type 2



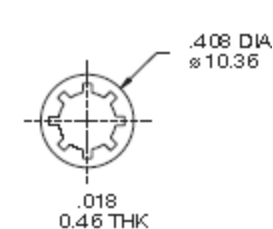
Code = B

Standard 10-42



Code = 1

Standard 1/4-40



Code = 2

SUB-Miniature - Toogle Switch Type R/A H-Type

Part No.: **Q48A405**

DRW:	Jason	CHKD	Wilson	MATL:	Wilson	TOLERANCE	Mason	DATE	18.12.2015
APPD:	Schumi			FINISH	Jamy		Sheet No.		8 from 10

Customer:

EDCON-COMPONENTS



Ordering Informations

Serie	Switching Position	Toogle Options	Cap Options	Bushing Options	Terminal Options	Terminal Seal Options	Contact Mat. Options	Nut Options	Locking Options	Look Washer options	ROHS
Q48A405	1xx	Ax	xx	Bx	A	X	X	N	N	N	R
	Look Page 2	Look Page 3 + 4	Look Page 4	Look Page 5 + 6	Look Page 8	Look Page 8	Look Page 9	Look Page 10	Look Page 11	Look Page 11	R= ROHS Conform N= NON ROHS Conform

Packing Code

B

B= Bulk Ware
I= Individual Package

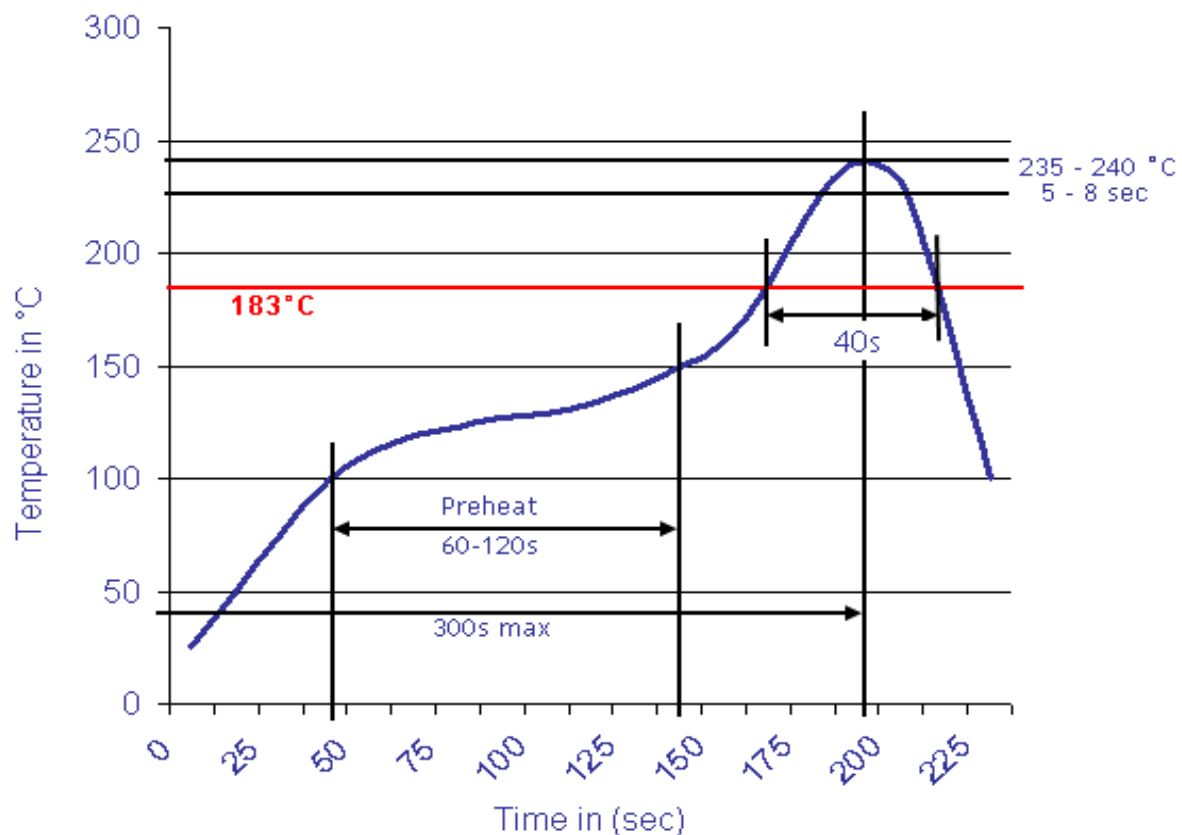
SUB-Miniature - Toogle Switch Type R/A H-Type
Part No.: **Q48A405**
Customer:

DRW:	Jason	CHKD	Wilson	MATL:	Wilson	TOLERANCE	Mason	DATE	18.12.2015	Customer:
APPD:	Schumi			FINISH	Jamy		Sheet No.	9 from 10		



Soldering Profile Curve

Classification Reflow Profile (JEDEC J-STD-020C)



SUB-Miniature - Toogle Switch Type R/A H-Type	
Part No.:	Q48A405
Customer:	

DRW:	Jason	CHKD	Wilson	MATL:	Wilson	TOLERANCE	Mason	DATE	18.12.2015
APPD:	Schumi			FINISH	Jamy		Sheet No.	10 from 10	