



# DATA SHEET

## SUB-Miniature - Toogle Switch Type R/A V-Type

### Serie: Q48A404

<b>SUB-Miniature - Toogle Switch Type R/A V-Type</b>	
Serie No.:	<b>Q48A404</b>
Customer:	

DRW:	Jason	CHKD	Wilson	MATL:	Wilson	TOLERANCE	Mason	DATE	18.12.2015
APPD:	Schumi			FINISH	Jamy		Sheet No.		1 from 10

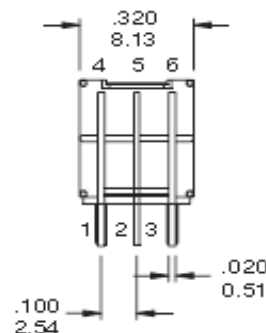
# EDCON-COMPONENTS



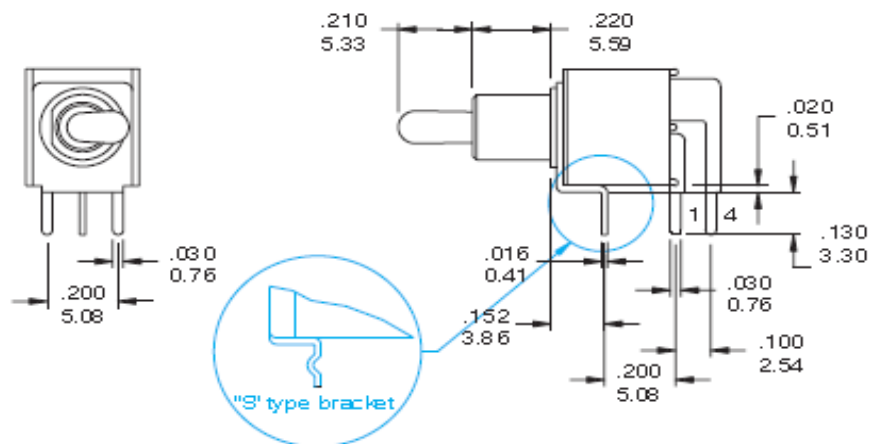
## Technical Informations

**Contact Rating:** 3A @ 120VAC or 28VDC (silver plated)  
**Contact Resistance:** 20mΩ max initial @ 2-4VDC, 100mA  
**Electrical Lifetime:** 30.000 make and break cycles full loaded  
**Insulation Resistance:** 1000MΩ min.  
**Dielectric Strength:** 1500V RMS @ sea level  
**Operating Temperature:** -30°C to + 85°C

**Housing:** Stainless Steel  
**Case:** Diallyl phthalate  
**Contact and Terminal:** copper alloy, silver plated  
**Bushing:** copper alloy, nickel plated  
**Toggle:** copper alloy, chrome plated  
**Switch Support:** copper alloy, tin plated



Switching Pos. Order Code	Switching Position		
<b>200</b>	ON	NONE	ON
<b>201</b>	ON	OFF	ON
<b>202</b>	ON	NONE	(ON)
<b>203</b>	(ON)	OFF	(ON)
<b>204</b>	ON	OFF	(ON)
<b>Tem. Com</b>	2-3, 5-6	open	2-1, 5-4
<b>205</b>	ON	ON	ON
<b>Tem. Com</b>	2-3, 5-6	2-3, 5-4	2-1, 5-4



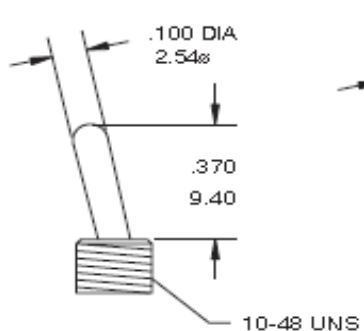
<b>SUB-Miniature - Toogle Switch Type R/A V-Type</b>	
Part No.:	<b>Q48A404</b>
Customer:	

DRW:	Jason	CHKD	Wilson	MATL:	Wilson	TOLERANCE	Mason	DATE	18.12.2015
APPD:	Schumi			FINISH	Jamy		Sheet No.		2 from 10

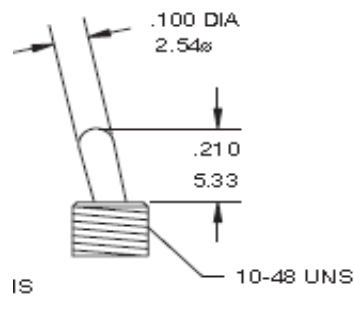
# EDCON-COMPONENTS



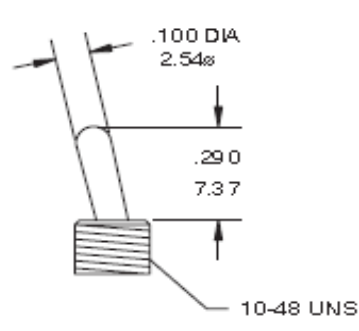
## Actuator Optional Order Code



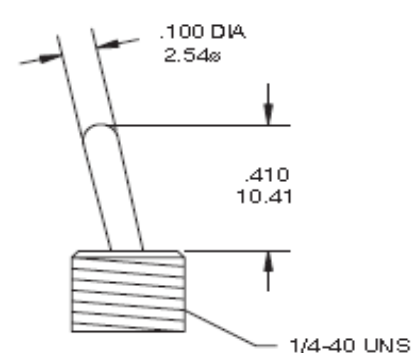
**Code AA**  
Toggle Plastic Caps Look  
Page 4



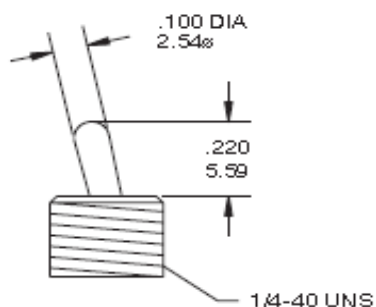
**Code AB**



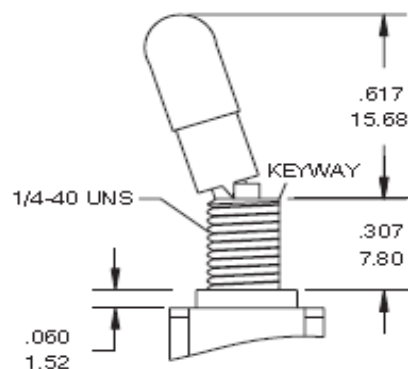
**Code AC**



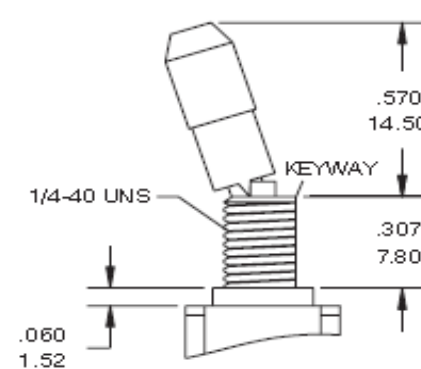
**Code AD**



**Code AE**



**Code AF**



**Code AG**

<b>SUB-Miniature - Toogle Switch Type R/A V-Type</b>	
Part No.:	<b>Q48A404</b>
Customer:	

DRW:	Jason	CHKD	Wilson	MATL:	Wilson	TOLERANCE	Mason	DATE	18.12.2015
APPD:	Schumi			FINISH	Jamy		Sheet No.		3 from 10

# EDCON-COMPONENTS



## Actuator Optional Order Code

Toogle Plastic Caps Order Code Toogle Type AA		<p>Only for Actuator AA</p> <p>.370 9.40 Material Vinyl</p>
00	w/o Cap	
A1	white	
A2	black	
A3	red	
A4	yellow	
A5	green	
A6	blue	

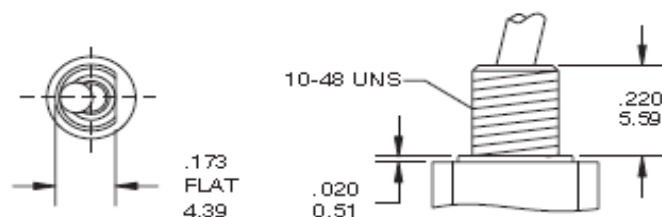
<b>SUB-Miniature - Toogle Switch Type R/A V-Type</b>	
Part No.:	<b>Q48A404</b>
Customer:	

DRW:	Jason	CHKD	Wilson	MATL:	Wilson	TOLERANCE	Mason	DATE	18.12.2015
APPD:	Schumi			FINISH	Jamy		Sheet No.	4 from 10	

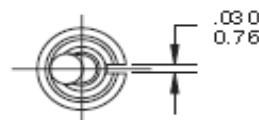
# EDCON-COMPONENTS



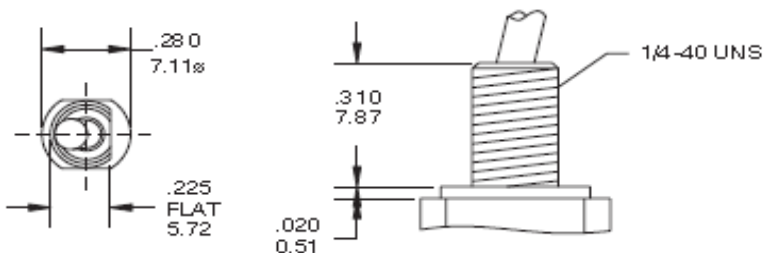
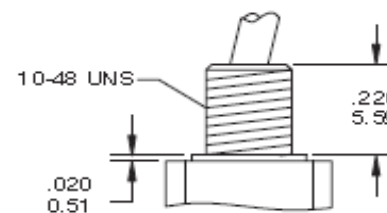
## Bushing Options Order Code



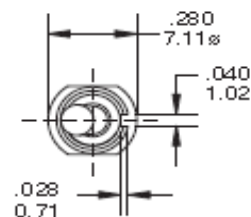
**Code BA** = with thread  
**Code BB** = without thread



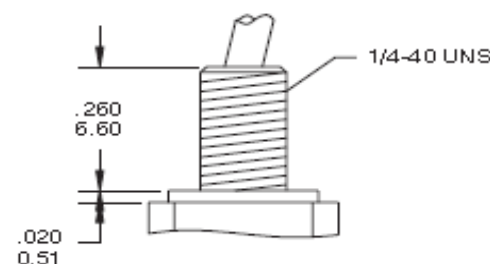
**Code BC** = with thread  
**Code BD** = without thread



**Code BE** = with Thread  
**Code BF** = without Thread



**Code BF** = with Thread  
**Code BG** = without Thread



**SUB-Miniature - Toogle Switch Type R/A V-Type**

Part No.: **Q48A404**

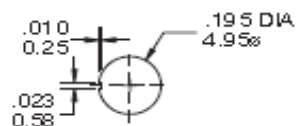
DRW:	Jason	CHKD	Wilson	MATL:	Wilson	TOLERANCE	Mason	DATE	18.12.2015
APPD:	Schumi			FINISH	Jamy		Sheet No.	5 from 10	

Customer:

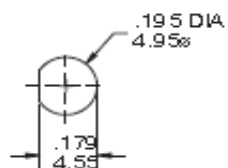


Panel Mounting Informations

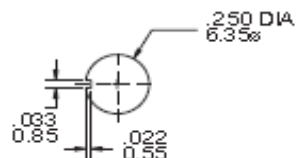
1/4 in. Bushing



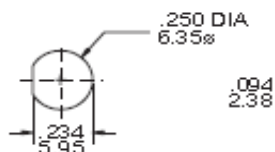
1/4 in. Bushing



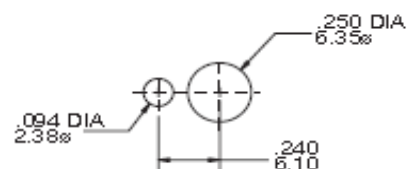
10-48 Bushing



10-48 Bushing w/o look Ring



10-48 Bushing w .look Ring



**SUB-Miniature - Toogle  
Switch Type R/A V-Type**

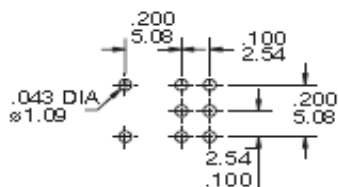
Part No.: **Q48A404**

DRW:	Jason	CHKD	Wilson	MATL:	Wilson	TOLERANCE	Mason	DATE	18.12.2015
APPD:	Schumi			FINISH	Jamy		Sheet No.	6 from 10	Customer:

# EDCON-COMPONENTS



## Terminal Option Order Code



**Code= A**

## Terminal Seal Order Code



**Code= 0** without Seal  
**Code= 1** with Seal

**SUB-Miniature - Toogle  
 Switch Type R/A V-Type**

Part No.: **Q48A404**

DRW:	Jason	CHKD	Wilson	MATL:	Wilson	TOLERANCE	Mason	DATE	18.12.2015	Customer:
APPD:	Schumi			FINISH	Jamy		Sheet No.	7 from 10		

[www.edcon-components.com](http://www.edcon-components.com)

email: [info@edcon-components.com](mailto:info@edcon-components.com)

# EDCON-COMPONENTS



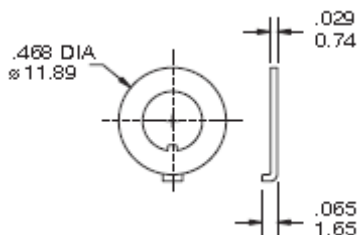
## Contact Material Order Code

Order Code	Contact Material	Terminal Material	Rating
<b>A</b>	Silver Plated	Silver Plated	5A @ 125VAC or 28VDC 3A @ 250VAC
<b>B</b>	Gold plated over nickel plated	Gold plated over nickel plated	0,4A max @20VAC or DC max.
<b>C</b>	Gold plated over silver plated	Gold plated over silver plated	0,4A max @20VAC or DC max.or 5A @ 125VAC or 28VDC 3A @ 250VAC

## Locking Ring Order Code

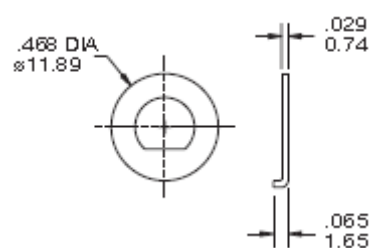
## Lock Washer Order Code

### Standard 10-42



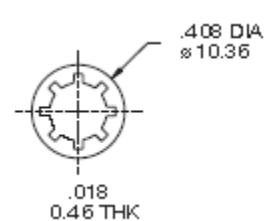
Code = A

### Standard 1/4-40 Type 2



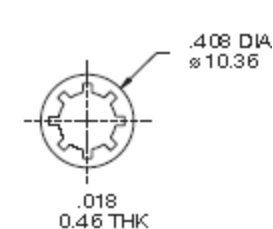
Code = B

### Standard 10-42



Code = 1

### Standard 1/4-40



Code = 2

## SUB-Miniature - Toogle Switch Type R/A V-Type

Part No.: **Q48A404**

DRW:	Jason	CHKD	Wilson	MATL:	Wilson	TOLERANCE	Mason	DATE	18.12.2015
APPD:	Schumi			FINISH	Jamy		Sheet No.		8 from 10

Customer:

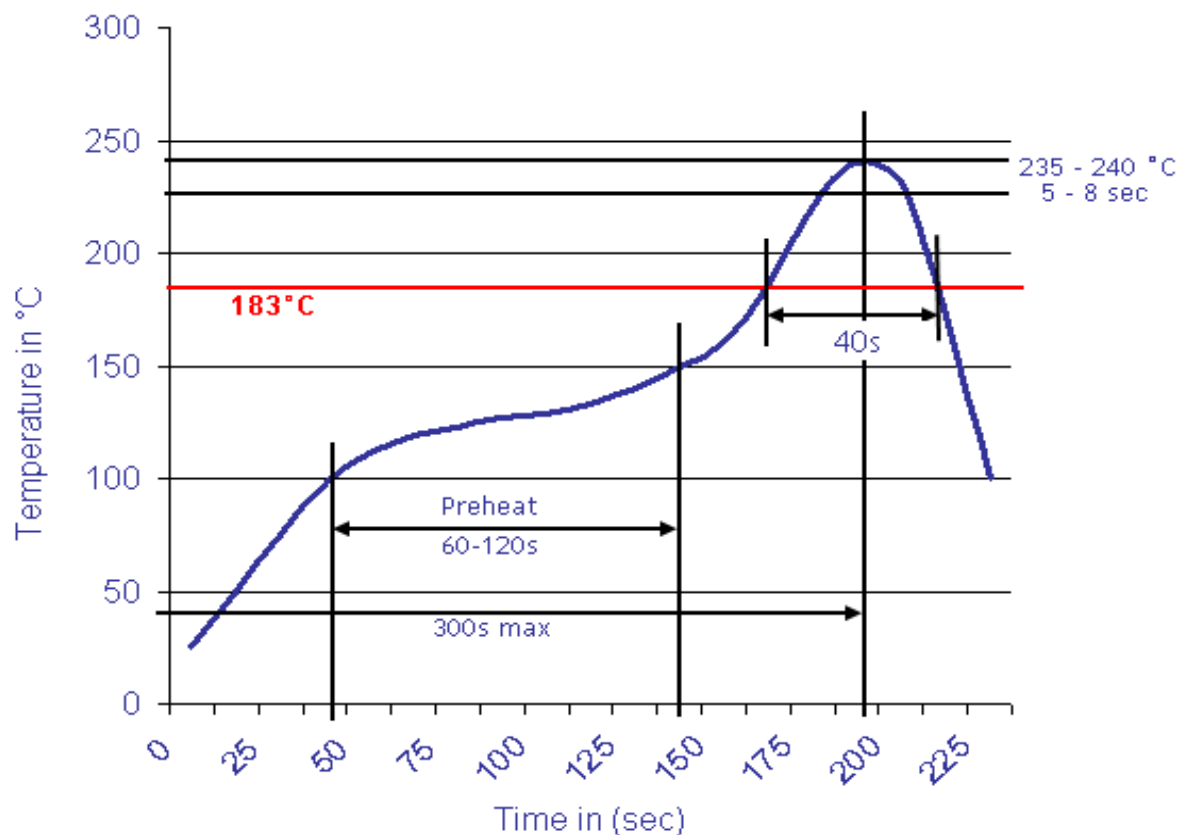






Soldering Profile Curve

Classification Reflow Profile (JEDEC J-STD-020C)



<b>SUB-Miniature - Toogle Switch Type R/A V-Type</b>	
Part No.:	<b>Q48A404</b>
Customer:	

DRW:	Jason	CHKD	Wilson	MATL:	Wilson	TOLERANCE	Mason	DATE	18.12.2015
APPD:	Schumi			FINISH	Jamy		Sheet No.	10 from 10	