



DATA SHEET

Miniature - Toogle Switch Type V-Bracket SPDT

Serie: Q48A222

Miniature - Toogle Switch Type V-Bracket SPDT	
Serie No.:	Q48A222
Customer:	

DRW:	Jason	CHKD	Wilson	MATL:	Wilson	TOLERANCE	Mason	DATE	18.12.2015
APPD:	Schumi			FINISH	Jamy		Sheet No.		1 from 13

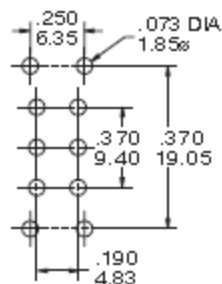
EDCON-COMPONENTS



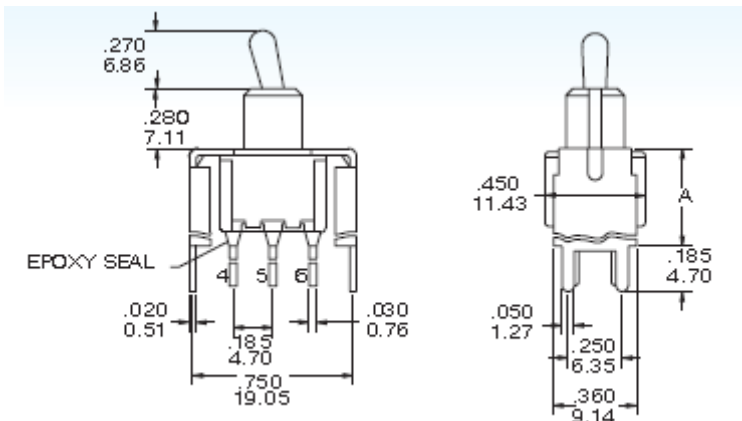
Technical Informations

Contact Rating: 5A @ 125VAC or 28VDC (silver plated)
Contact Resistance: 10mΩ max initial @ 2-4VDC, 100mA
Electrical Lifetime: 50.000 make and break cycles full loaded
Insulation Resistance: 1000MΩ min.
Dielectric Strength: 1500V RMS @ sea level
Operating Temperature: -30°C to + 85°C

Housing: Stainless Steel
Case: Diallyl phthalate
Contact and Terminal: copper alloy, silver plated
Bushing: copper alloy, nickel plated
Toggle: copper alloy, chrome plated



Switching Pos. Order Code	Switching Position		
200	ON	NONE	ON
201	ON	NONE	(ON)
202	ON	OFF	ON
203	(ON)	OFF	(ON)
204	ON	OFF	(ON)
Tem. Com	2 - 3	open	2 - 1



A= 11,68mm



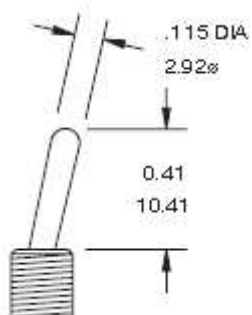
Miniature - Toggle Switch
Type V-Bracket SPDT
 Part No.: **Q48A222**

DRW:	Jason	CHKD	Wilson	MATL:	Wilson	TOLERANCE	Mason	DATE	18.12.2015	Customer:
APPD:	Schumi			FINISH	Jamy		Sheet No.	2 from 13		

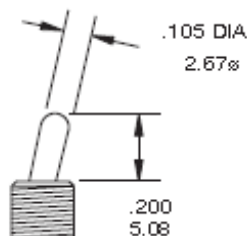
EDCON-COMPONENTS



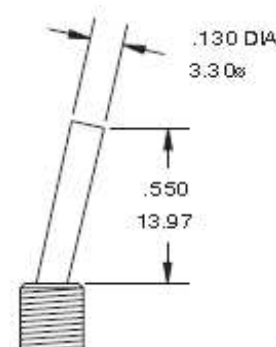
Actuator Optional Order Code



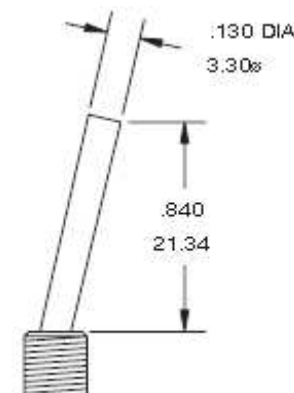
Code AA
Toogle Plastic Caps
Look Page 4



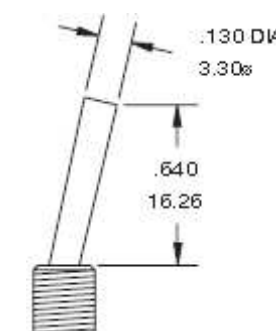
Code AB
Toogle Plastic Caps
Look Page 4



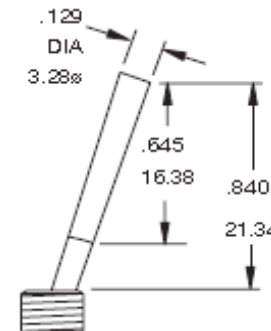
Code AC



Code AD

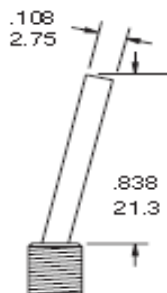


Code AE



Code AF = Plastic Handle

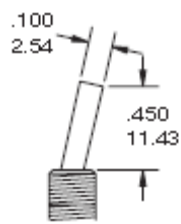
Only Bushing Type BG / BH / BJ U2 (long)



Code AG

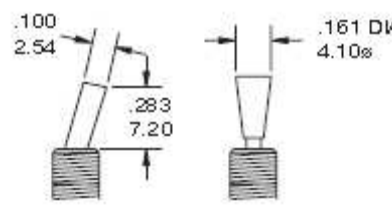
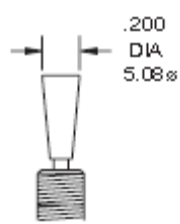


Code AH



Code AJ

Only Bushing Type BG / BH / BJ



**Miniature - Toogle Switch
Type V-Bracket SPDT**

Part No.: **Q48A222**

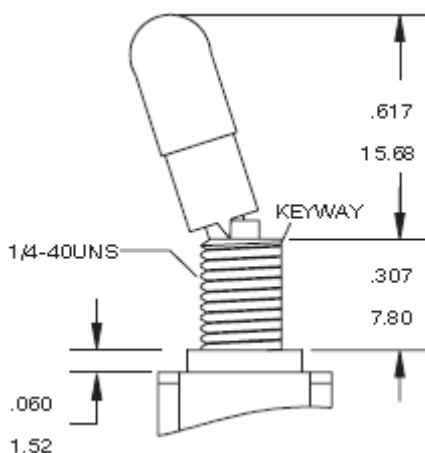
DRW:	Jason	CHKD	Wilson	MATL:	Wilson	TOLERANCE	Mason	DATE	18.12.2015
APPD:	Schumi			FINISH	Jamy		Sheet No.	3 from 13	Customer:

EDCON-COMPONENTS

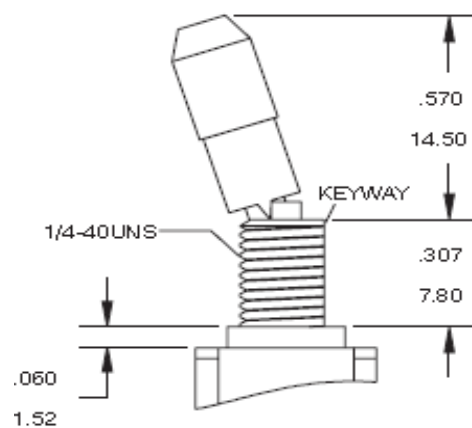


Actuator Optional Order Code

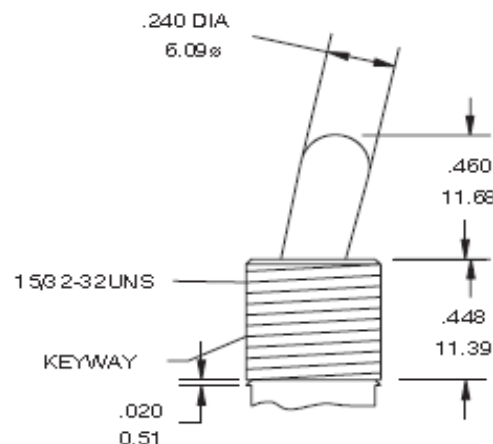
Locking Lever Type



Code AK

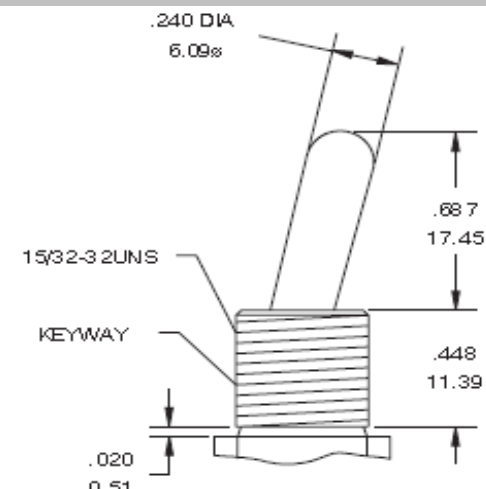


Code AL



Code AM

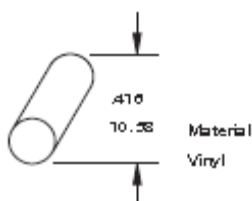
Code AN Anti Rotation Code



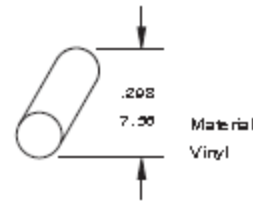
Code AO

Code AP Anti Rotation Code

Toogle Plastic Caps Order Code Toogle Type AA	
00	w/o Cap
A1	transparent
A2	white
A3	black
A4	red
A5	yellow
A6	blue
A7	green
A8	orange



Toogle Plastic Caps Order Code Toogle Type AB	
00	w/o Cap
B1	transparent
B2	white
B3	black
B4	red
B5	yellow
B6	blue
B7	green
B8	orange



Order Code Toogle Caps Only Toogle Type AF	
F1	White
F2	Red
F3	Black

Miniature - Toogle Switch Type V-Bracket SPDT

Part No.: **Q48A222**

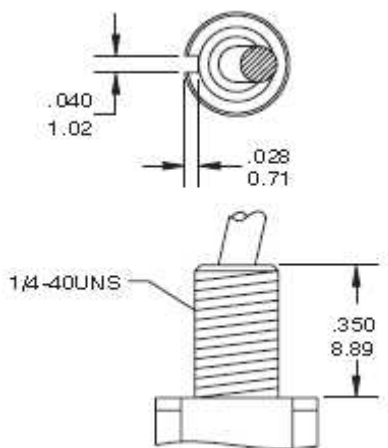
DRW:	Jason	CHKD	Wilson	MATL:	Wilson	TOLERANCE	Mason	DATE	18.12.2015
APPD:	Schumi			FINISH	Jamy		Sheet No.		4 from 13

Customer:

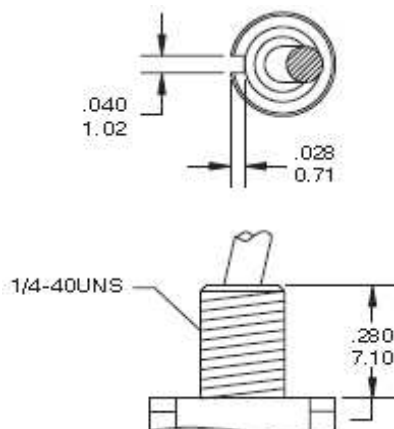
EDCON-COMPONENTS



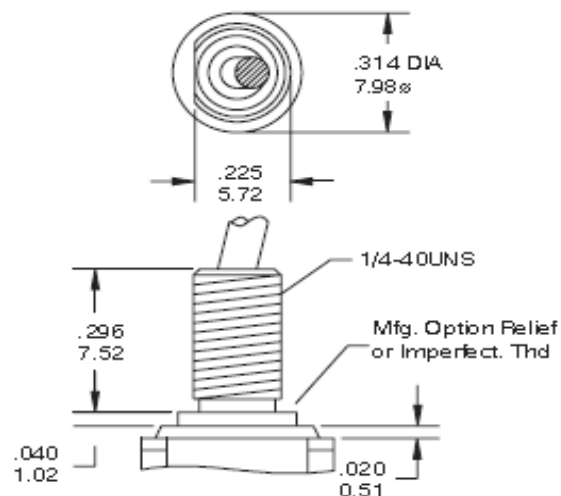
Bushing Options Order Code



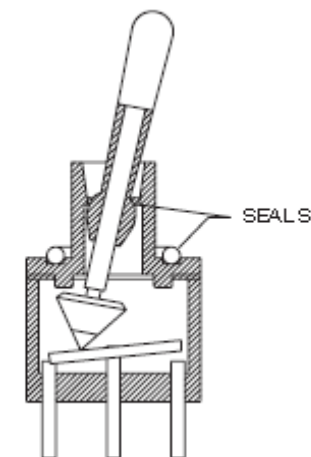
Code BA = with thread
Code BB = without thread



Code BC = with thread
Code BD = without thread



Code BE = with Thread
Code BF = without Thread



Seal Standard

**Miniature - Toogle Switch
Type V-Bracket SPDT**

Part No.: **Q48A222**

Customer:

DRW:	Jason	CHKD	Wilson	MATL:	Wilson	TOLERANCE	Mason	DATE	18.12.2015
APPD:	Schumi			FINISH	Jamy		Sheet No.		5 from 13

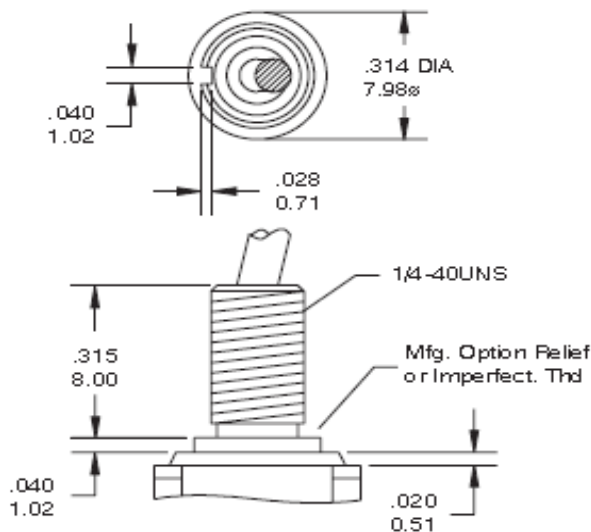
www.edcon-components.com

email: info@edcon-components.com

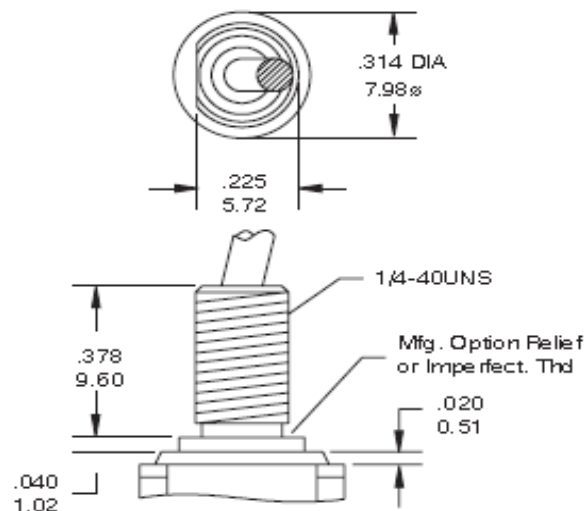
EDCON-COMPONENTS



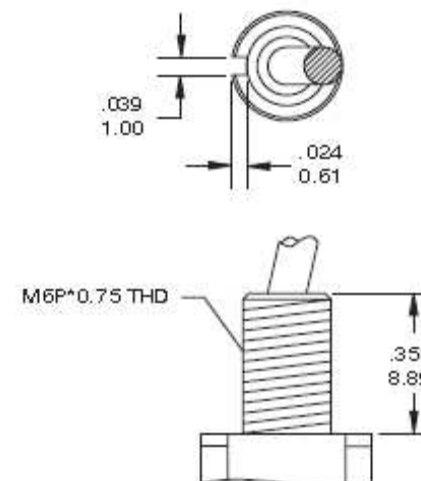
Bushing Options Order Code



Code BG = with Thread
Code BH = without Thread
Code BJ = with Metric Thread



Code BK = with Thread
Code BL = without Thread



Code BM = with Metric Thread

**Miniature - Toogle Switch
Type V-Bracket SPDT**

Part No.: **Q48A222**

DRW:	Jason	CHKD	Wilson	MATL:	Wilson	TOLERANCE	Mason	DATE	18.12.2015
APPD:	Schumi			FINISH	Jamy		Sheet No.	6 from 13	Customer:

www.edcon-components.com

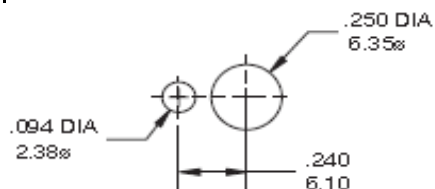
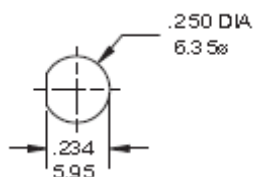
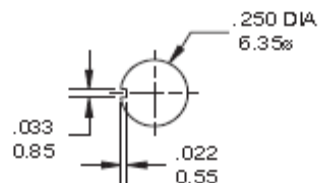
email: info@edcon-components.com

EDCON-COMPONENTS

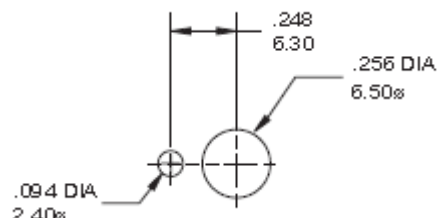
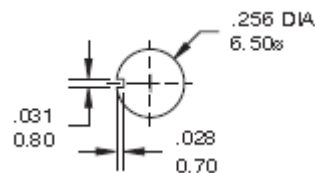


Panel Mounting Informations

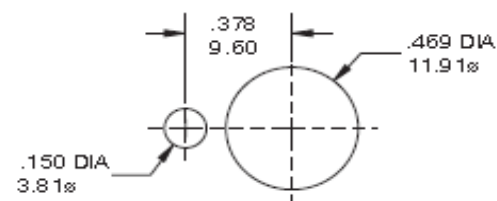
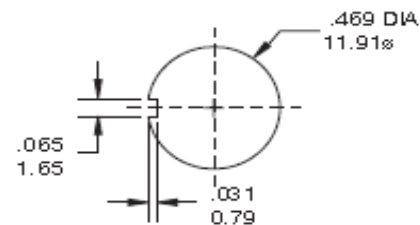
1/4 in. Bushing



Metric Bushing



15/32 IN. Bushing



**Miniature - Toogle Switch
Type V-Bracket SPDT**

Part No.: **Q48A222**

DRW:	Jason	CHKD	Wilson	MATL:	Wilson	TOLERANCE	Mason	DATE	18.12.2015
APPD:	Schumi			FINISH	Jamy		Sheet No.	7 from 13	

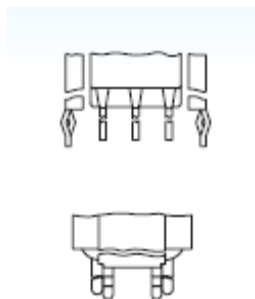
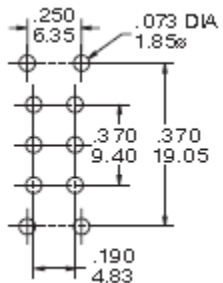
Customer:

EDCON-COMPONENTS



Terminal Option Order Code

P.C. Terminal



Code= A

Terminal Seal Order Code



Code= 0 without Seal
Code= 1 with Seal

**Miniature - Toogle Switch
Type V-Bracket SPDT**

Part No.: **Q48A222**

DRW:	Jason	CHKD	Wilson	MATL:	Wilson	TOLERANCE	Mason	DATE	18.12.2015
APPD:	Schumi			FINISH	Jamy		Sheet No.	8 from 13	Customer:

www.edcon-components.com

email: info@edcon-components.com

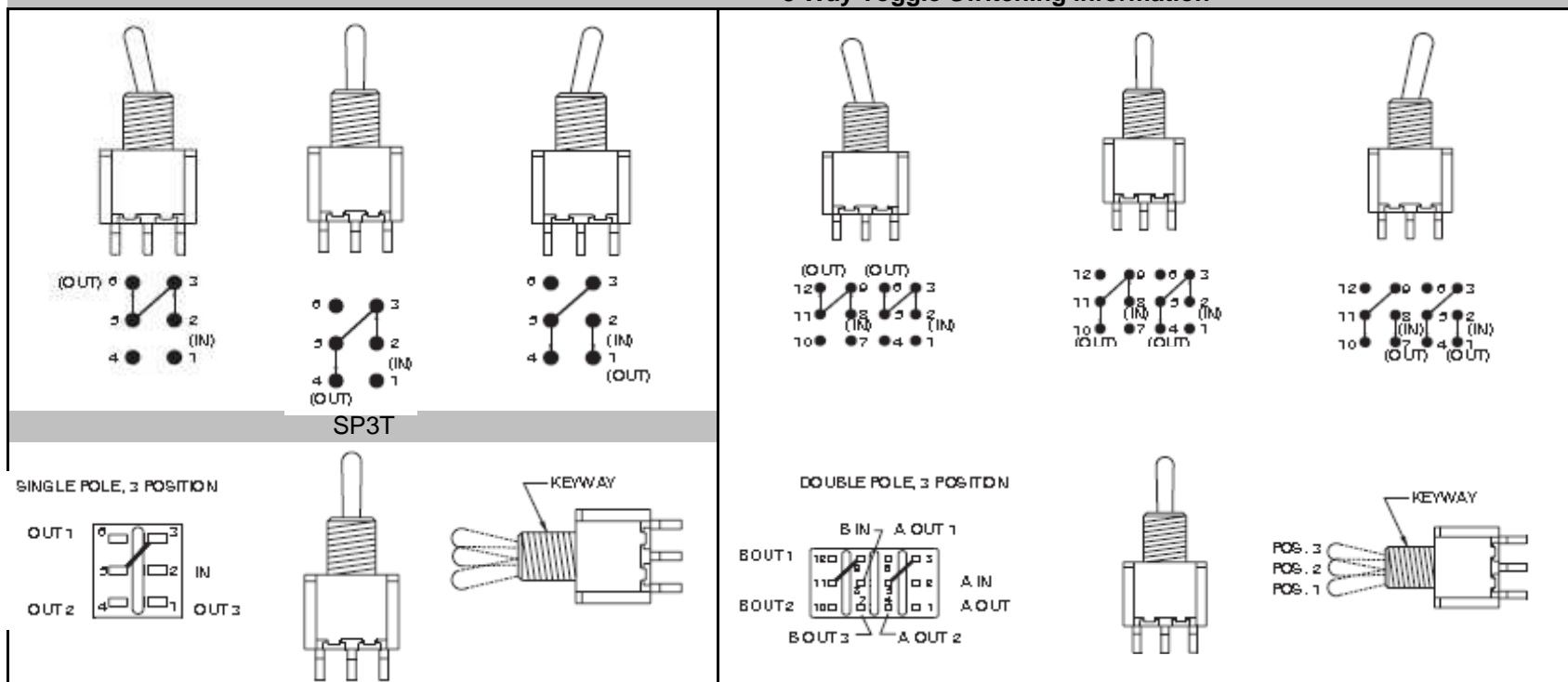
EDCON-COMPONENTS



Contact Material Order Code

Order Code	Contact Material	Terminal Material	Rating
A	Silver Plated	Silver Plated	5A @ 125VAC or 28VDC 3A @ 250VAC
B	Gold plated over nickel plated	Gold plated over nickel plated	0,4A max @20VAC or DC max.
C	Gold plated over silver plated	Gold plated over silver plated	0,4A max @20VAC or DC max.or 5A @ 125VAC or 28VDC 3A @ 250VAC

3 Way Toggle Switching information



**Miniature - Toogle Switch
Type V-Bracket SPDT**

Part No.: **Q48A222**

Customer: _____
email: info@edcon-components.com

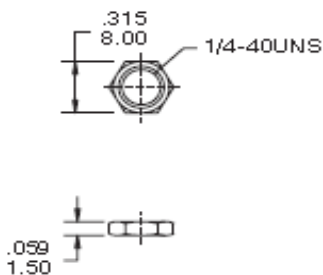
DRW:	Jason	CHKD	Wilson	MATL:	Wilson	TOLERANCE	Mason	DATE	18.12.2015
APPD:	Schumi			FINISH	Jamy		Sheet No.		9 from 13

EDCON-COMPONENTS



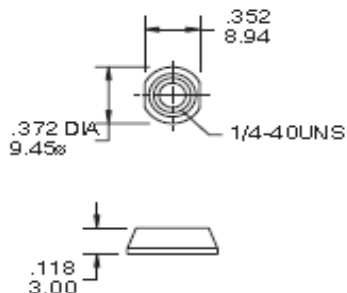
Nut Hardware Option of Toogle Switch

Standard Nut 1/4-40



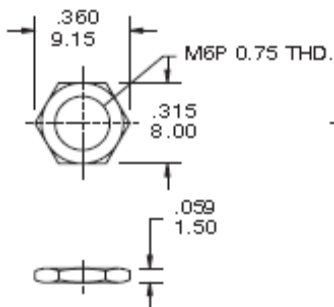
Order Code =A

Dress Nut 1/4-40



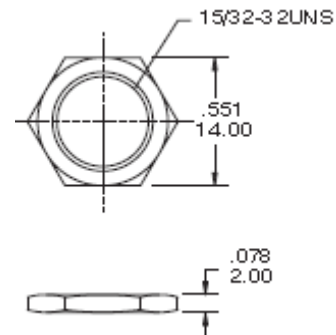
Order Code =B

Metric Nut



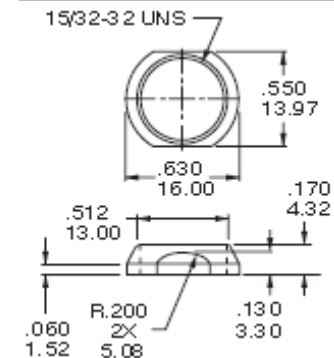
Order Code =C

15/32 UNS



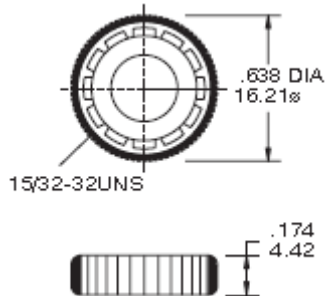
Order Code =D

15/32 Dress Nut



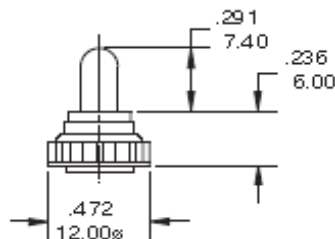
Order Code =E

15/32 Knurled Nut



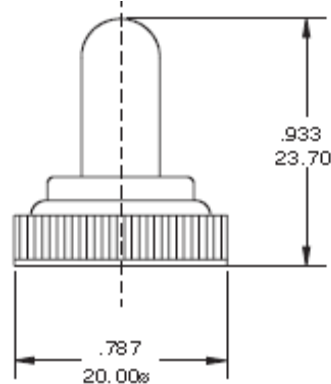
Order Code =F

Rubber Hood

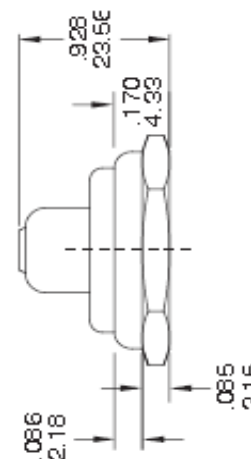


Order Code Metric = G
Order Code Inch = H

Rubber Hood

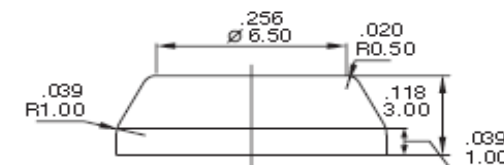


Order Code 15/32 = J



Order Code 15/32 = K

For large Toogle 15/32



Order Code O Ring = L

**Miniature - Toogle Switch
Type V-Bracket SPDT**

Part No.: **Q48A222**

Customer:

DRW:	Jason	CHKD	Wilson	MATL:	Wilson	TOLERANCE	Mason	DATE	18.12.2015
APPD:	Schumi			FINISH	Jamy		Sheet No.		10 from 13

www.edcon-components.com

email: info@edcon-components.com

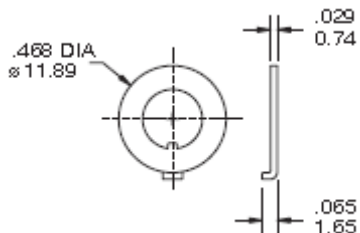
EDCON-COMPONENTS



Locking Ring Order Code

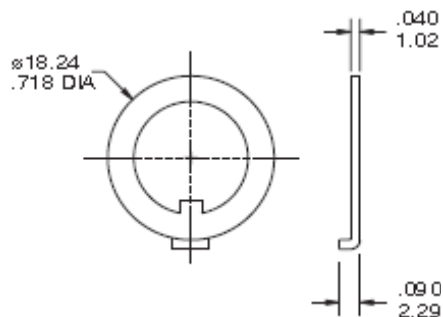
Lock Washer Order Code

Standard 1/4-40 Type 1



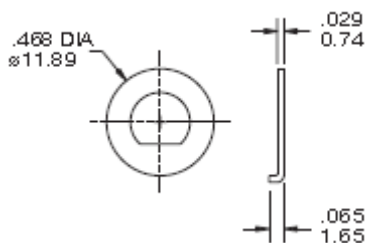
Code = A

Standard 15/32



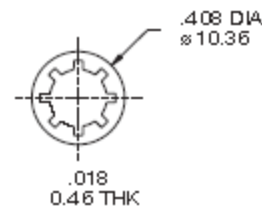
Code = C

Standard 1/4-40 Type 2



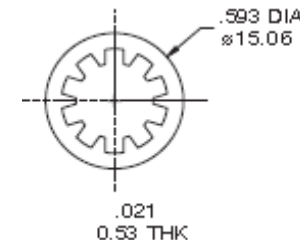
Code = B

Standard 1/4-40



Code = 1

Standard 15/32



Code = 2

**Miniature - Toogle Switch
Type V-Bracket SPDT**

Part No.: **Q48A222**

DRW:	Jason	CHKD	Wilson	MATL:	Wilson	TOLERANCE	Mason	DATE	18.12.2015	Customer:
APPD:	Schumi			FINISH	Jamy		Sheet No.	11 from 13		

EDCON-COMPONENTS



Ordering Informations

Serie	Switching Position	Toogle Options	Cap Options	Bushing Options	Terminal Options	Terminal Seal Options	Contact Mat. Options	Nut Options	Locking Options	Look Washer options	ROHS
Q48A222	2xx	Ax	00	Bx	X	X	X	N	N	N	R
	Look Page 2	Look Page 3 + 4	Look Page 4	Look Page 5 + 6	Look Page 8	Look Page 8	Look Page 9	Look Page 10	Look Page 11	Look Page 11	R= ROHS Conform N= NON ROHS Conform

Packing Code

B

B= Bulk Ware
I= Individual Package

**Miniature - Toogle Switch
Type V-Bracket SPDT**

Part No.: **Q48A222**

DRW:	Jason	CHKD	Wilson	MATL:	Wilson	TOLERANCE	Mason	DATE	18.12.2015	Customer:
APPD:	Schumi			FINISH	Jamy		Sheet No.	12 from 13		



Soldering Profile Curve

Classification Reflow Profile (JEDEC J-STD-020C)



**Miniature - Toogle Switch
Type V-Bracket SPDT**

Part No.: **Q48A222**

DRW:	Jason	CHKD	Wilson	MATL:	Wilson	TOLERANCE	Mason	DATE	18.12.2015
APPD:	Schumi			FINISH	Jamy		Sheet No.		13 from 13

Customer: