



# DATA SHEET

## Miniature - Toogle Switch Type V-Bracket SPDT

### Serie: Q48A216

<b>Miniature - Toogle Switch Type V-Bracket SPDT</b>	
Serie No.:	<b>Q48A216</b>
Customer:	

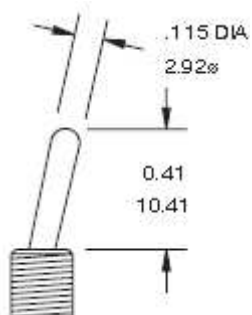
DRW:	Jason	CHKD	Wilson	MATL:	Wilson	TOLERANCE	Mason	DATE	18.12.2015
APPD:	Schumi			FINISH	Jamy		Sheet No.		1 from 13



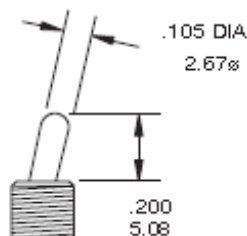
# EDCON-COMPONENTS



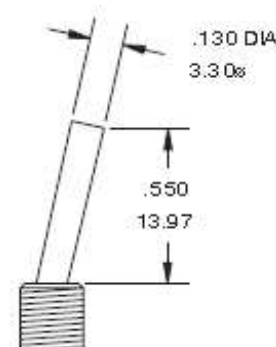
## Actuator Optional Order Code



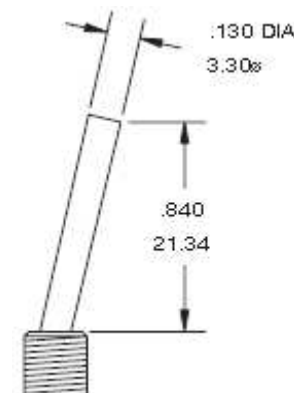
**Code AA**  
Toogle Plastic Caps  
Look Page 4



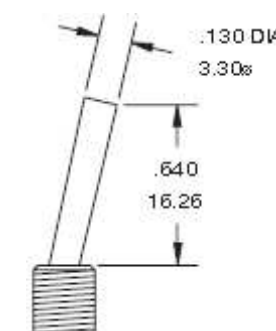
**Code AB**  
Toogle Plastic Caps  
Look Page 4



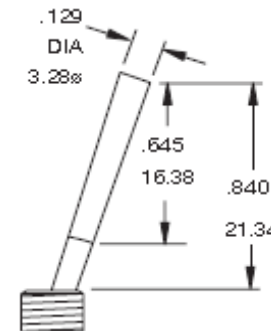
**Code AC**



**Code AD**

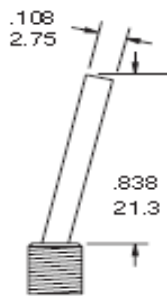


**Code AE**



**Code AF = Plastic Handle**

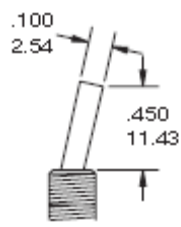
### Only Bushing Type BG / BH / BJ U2 ( long )



**Code AG**

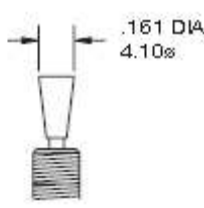
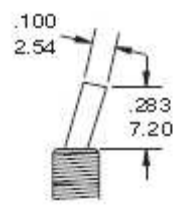


**Code AH**



**Code AJ**

### Only Bushing Type BG / BH / BJ



**Miniature - Toogle Switch  
Type V-Bracket SPDT**

Part No.: **Q48A216**

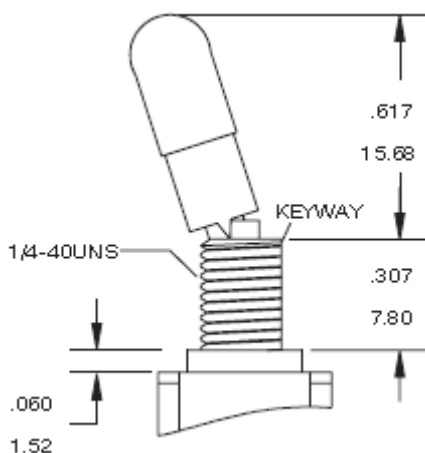
DRW:	Jason	CHKD	Wilson	MATL:	Wilson	TOLERANCE	Mason	DATE	18.12.2015
APPD:	Schumi			FINISH	Jamy		Sheet No.	3 from 13	Customer:

# EDCON-COMPONENTS

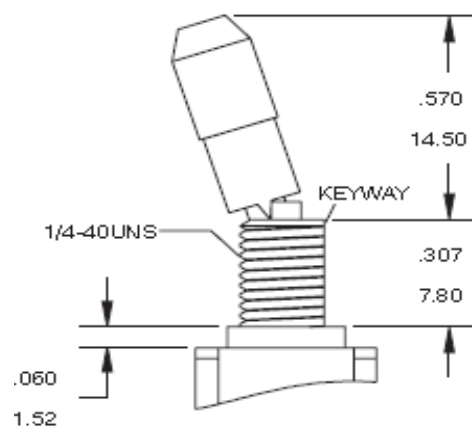


## Actuator Optional Order Code

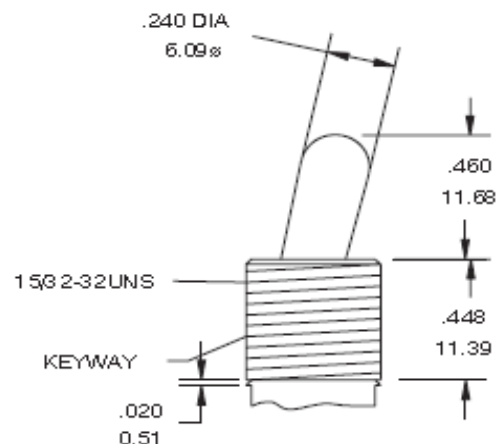
### Locking Lever Type



**Code AK**

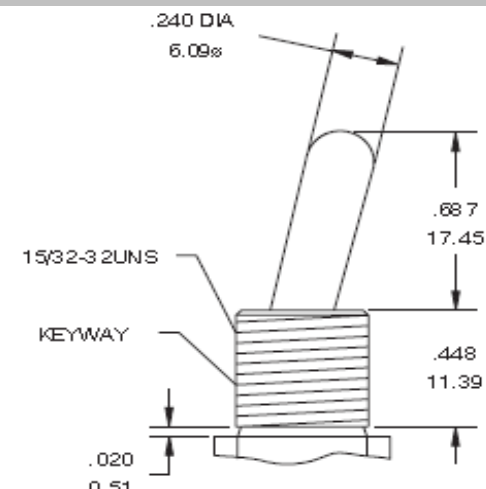


**Code AL**



**Code AM**

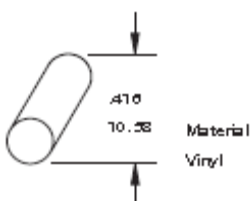
**Code AN** Anti Rotation Code



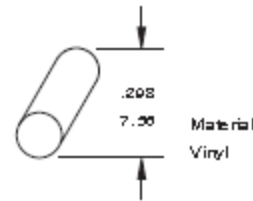
**Code AO**

**Code AP** Anti Rotation Code

Toogle Plastic Caps Order Code Toogle Type AA	
00	w/o Cap
A1	transparent
A2	white
A3	black
A4	red
A5	yellow
A6	blue
A7	green
A8	orange



Toogle Plastic Caps Order Code Toogle Type AB	
00	w/o Cap
B1	transparent
B2	white
B3	black
B4	red
B5	yellow
B6	blue
B7	green
B8	orange



Order Code Toogle Caps Only Toogle Type AF	
F1	White
F2	Red
F3	Black

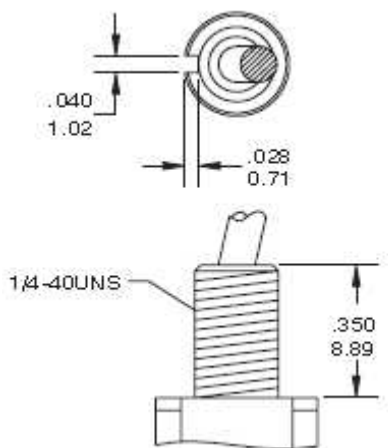
Miniature - Toogle Switch Type V-Bracket SPDT	
Part No.:	<b>Q48A216</b>
Customer:	

DRW:	Jason	CHKD	Wilson	MATL:	Wilson	TOLERANCE	Mason	DATE	18.12.2015
APPD:	Schumi			FINISH	Jamy		Sheet No.	4 from 13	

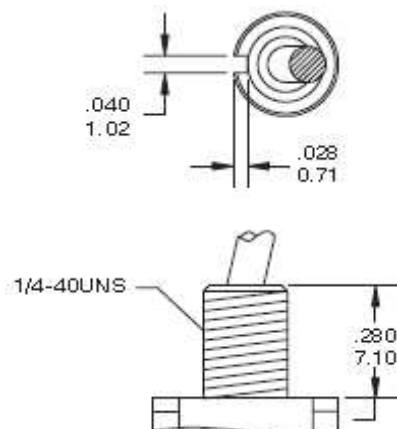
# EDCON-COMPONENTS



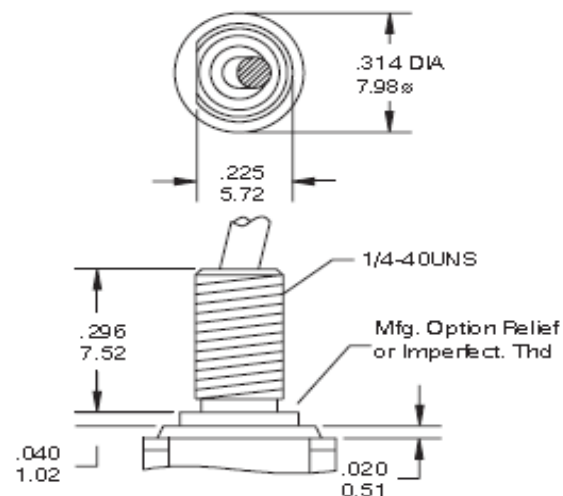
## Bushing Options Order Code



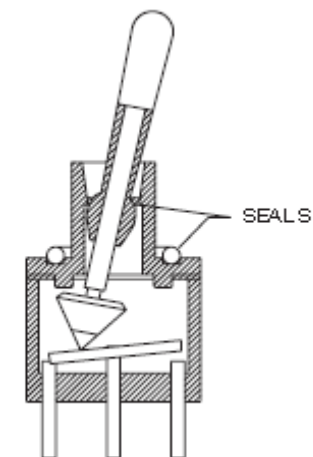
**Code BA** = with thread  
**Code BB** = without thread



**Code BC** = with thread  
**Code BD** = without thread



**Code BE** = with Thread  
**Code BF** = without Thread



Seal Standard

**Miniature - Toogle Switch  
Type V-Bracket SPDT**

Part No.: **Q48A216**

Customer:

DRW:	Jason	CHKD	Wilson	MATL:	Wilson	TOLERANCE	Mason	DATE	18.12.2015
APPD:	Schumi			FINISH	Jamy		Sheet No.	5 from 13	

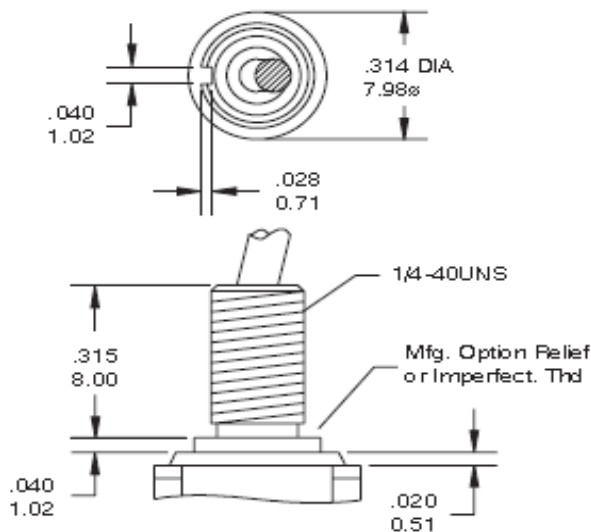
[www.edcon-components.com](http://www.edcon-components.com)

email: [info@edcon-components.com](mailto:info@edcon-components.com)

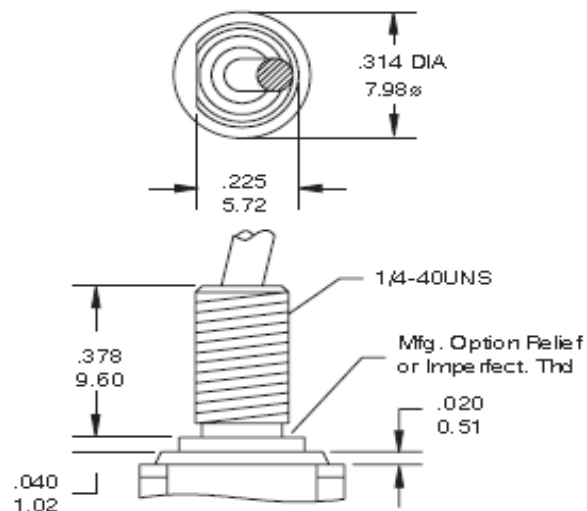
# EDCON-COMPONENTS



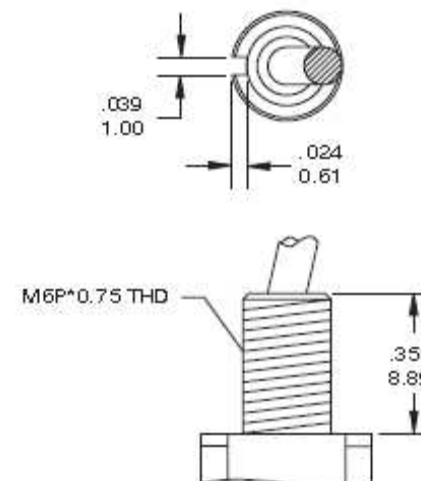
## Bushing Options Order Code



**Code BG** = with Thread  
**Code BH** = without Thread  
**Code BJ** = with Metric Thread



**Code BK** = with Thread  
**Code BL** = without Thread



**Code BM** = with Metric Thread

**Miniature - Toogle Switch  
 Type V-Bracket SPDT**

Part No.: **Q48A216**

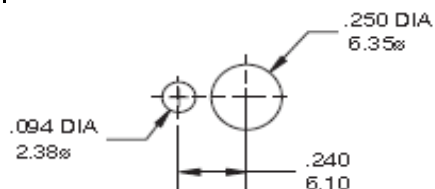
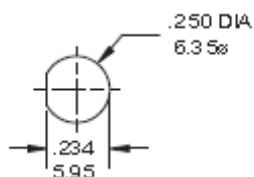
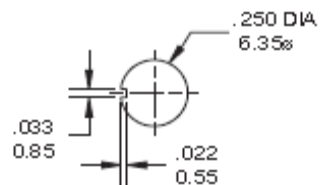
DRW:	Jason	CHKD	Wilson	MATL:	Wilson	TOLERANCE	Mason	DATE	18.12.2015
APPD:	Schumi			FINISH	Jamy		Sheet No.	6 from 13	Customer:

# EDCON-COMPONENTS

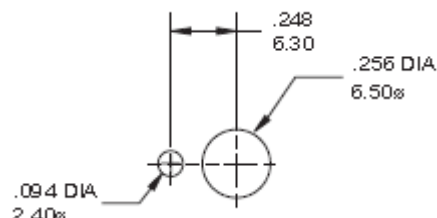
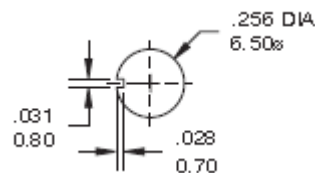


## Panel Mounting Informations

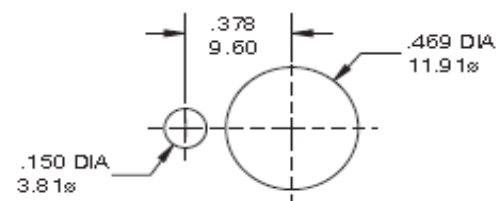
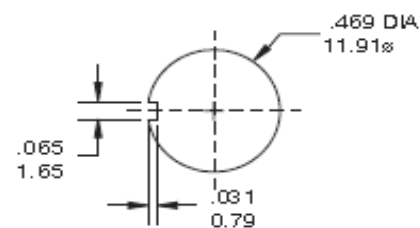
### 1/4 in. Bushing



### Metric Bushing



### 15/32 IN. Bushing



**Miniature - Toogle Switch  
Type V-Bracket SPDT**

Part No.: **Q48A216**

DRW:	Jason	CHKD	Wilson	MATL:	Wilson	TOLERANCE	Mason	DATE	18.12.2015
APPD:	Schumi			FINISH	Jamy		Sheet No.	7 from 13	

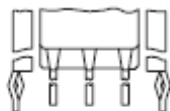
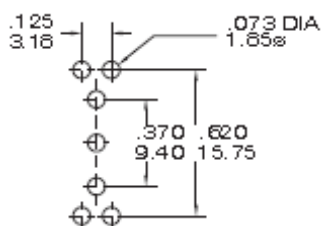
Customer:

# EDCON-COMPONENTS



## Terminal Option Order Code

P.C. Terminal



Code= A

## Terminal Seal Order Code



Code= 0 without Seal  
Code= 1 with Seal

**Miniature - Toogle Switch  
Type V-Bracket SPDT**

Part No.: **Q48A216**

DRW:	Jason	CHKD	Wilson	MATL:	Wilson	TOLERANCE	Mason	DATE	18.12.2015	Customer:
APPD:	Schumi			FINISH	Jamy		Sheet No.	8 from 13		

[www.edcon-components.com](http://www.edcon-components.com)

email: [info@edcon-components.com](mailto:info@edcon-components.com)



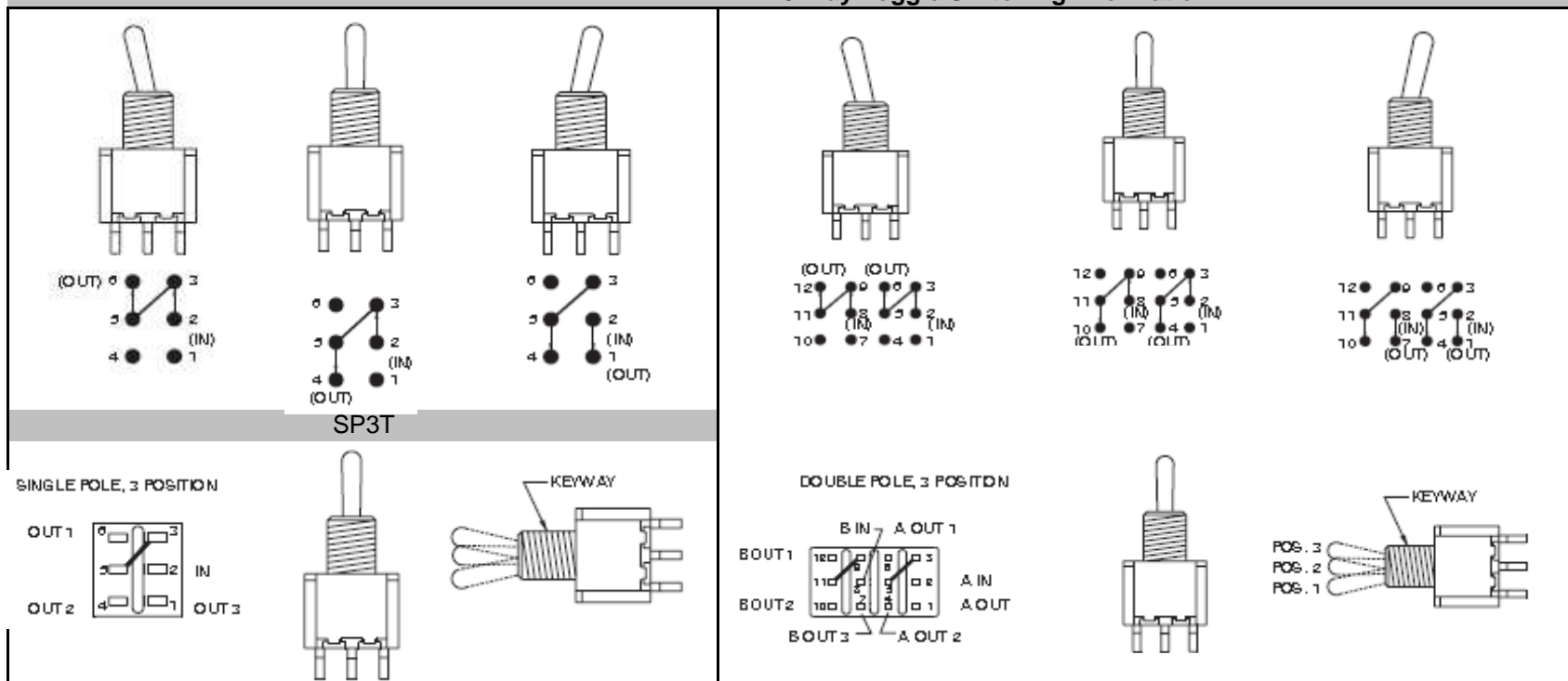
# EDCON-COMPONENTS



## Contact Material Order Code

Order Code	Contact Material	Terminal Material	Rating
<b>A</b>	Silver Plated	Silver Plated	5A @ 125VAC or 28VDC 3A @ 250VAC
<b>B</b>	Gold plated over nickel plated	Gold plated over nickel plated	0,4A max @20VAC or DC max.
<b>C</b>	Gold plated over silver plated	Gold plated over silver plated	0,4A max @20VAC or DC max.or 5A @ 125VAC or 28VDC 3A @ 250VAC

## 3 Way Toggle Switching information



**Miniature - Toogle Switch  
Type V-Bracket SPDT**

Part No.: **Q48A216**

DRW:	Jason	CHKD	Wilson	MATL:	Wilson	TOLERANCE	Mason	DATE	18.12.2015
APPD:	Schumi			FINISH	Jamy		Sheet No.		9 from 13

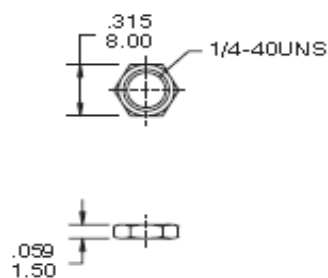
Customer:

# EDCON-COMPONENTS



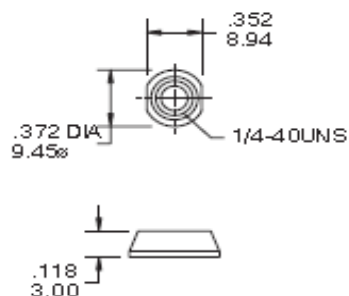
## Nut Hardware Option of Toogle Switch

Standard Nut 1/4-40



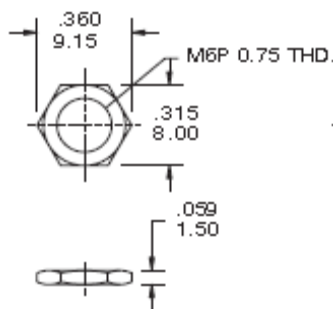
Order Code =A

Dress Nut 1/4-40



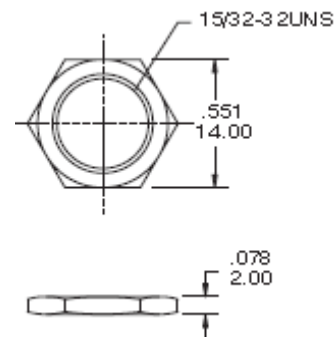
Order Code =B

Metric Nut



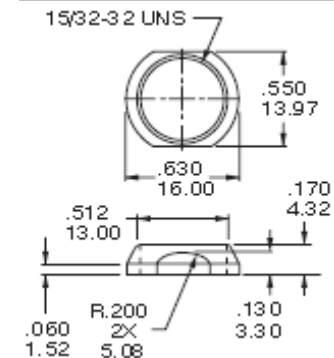
Order Code =C

15/32 UNS



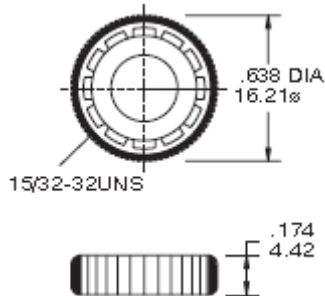
Order Code =D

15/32 Dress Nut



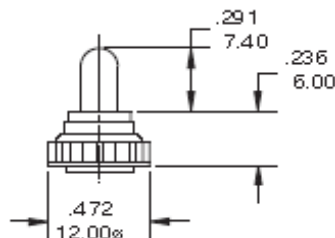
Order Code =E

15/32 Knurled Nut



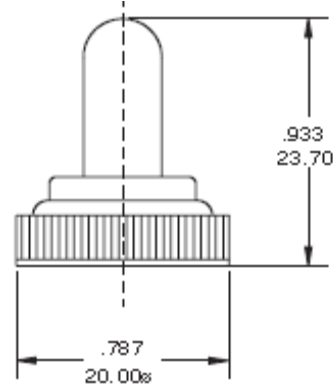
Order Code =F

Rubber Hood

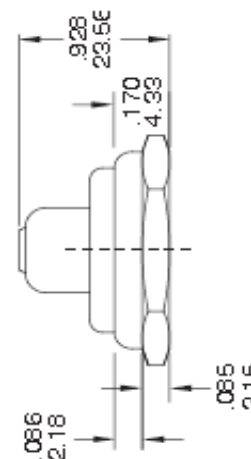


Order Code Metric = G  
Order Code Inch = H

Rubber Hood

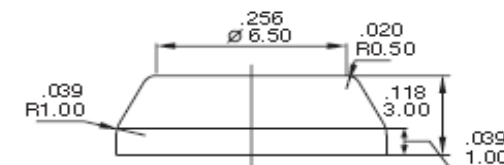


Order Code 15/32 = J



Order Code 15/32 = K

For large Toogle 15/32



Order Code O Ring = L

**Miniature - Toogle Switch  
Type V-Bracket SPDT**

Part No.: **Q48A216**

Customer:

DRW:	Jason	CHKD	Wilson	MATL:	Wilson	TOLERANCE	Mason	DATE	18.12.2015
APPD:	Schumi			FINISH	Jamy		Sheet No.		10 from 13

[www.edcon-components.com](http://www.edcon-components.com)

email: [info@edcon-components.com](mailto:info@edcon-components.com)

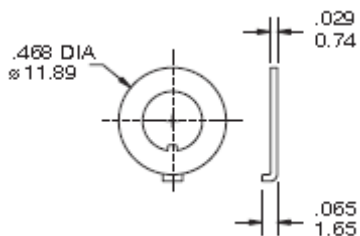
# EDCON-COMPONENTS



## Locking Ring Order Code

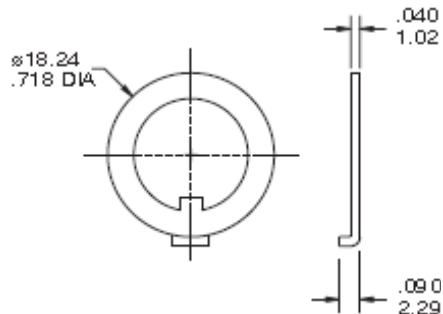
## Lock Washer Order Code

### Standard 1/4-40 Type 1



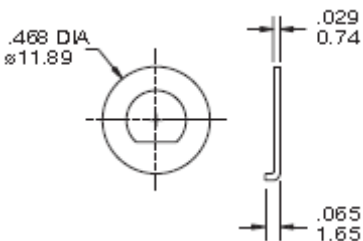
Code = A

### Standard 15/32



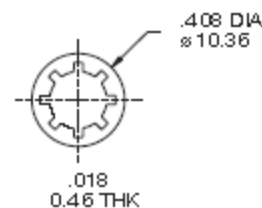
Code = C

### Standard 1/4-40 Type 2



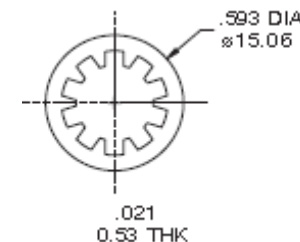
Code = B

### Standard 1/4-40



Code = 1

### Standard 15/32



Code = 2

**Miniature - Toogle Switch  
Type V-Bracket SPDT**

Part No.: **Q48A216**

DRW:	Jason	CHKD	Wilson	MATL:	Wilson	TOLERANCE	Mason	DATE	18.12.2015
APPD:	Schumi			FINISH	Jamy		Sheet No.		11 from 13

Customer:

# EDCON-COMPONENTS



## Ordering Informations

Serie	Switching Position	Toogle Options	Cap Options	Bushing Options	Terminal Options	Terminal Seal Options	Contact Mat. Options	Nut Options	Locking Options	Look Washer options	ROHS
<b>Q48A216</b>	<b>1xx</b>	<b>Ax</b>	<b>00</b>	<b>Bx</b>	<b>X</b>	<b>X</b>	<b>X</b>	<b>N</b>	<b>N</b>	<b>N</b>	<b>R</b>
	Look Page 2	Look Page 3 + 4	Look Page 4	Look Page 5 + 6	Look Page 8	Look Page 8	Look Page 9	Look Page 10	Look Page 11	Look Page 11	R= ROHS Conform N= NON ROHS Conform

Packing Code

**B**

**B=** Bulk Ware  
**I=** Individual Package

**Miniature - Toogle Switch  
Type V-Bracket SPDT**

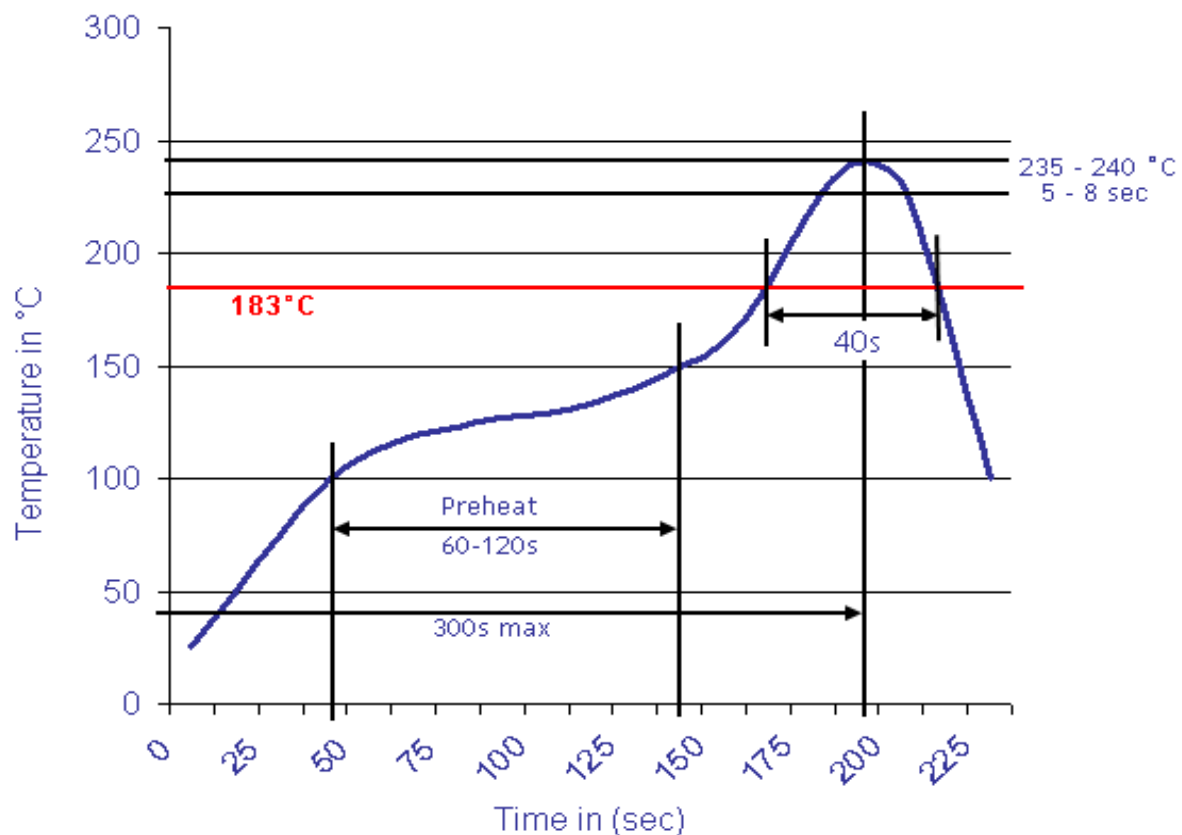
Part No.: **Q48A216**

DRW:	Jason	CHKD	Wilson	MATL:	Wilson	TOLERANCE	Mason	DATE	18.12.2015	Customer:
APPD:	Schumi			FINISH	Jamy		Sheet No.	12 from 13		



Soldering Profile Curve

Classification Reflow Profile (JEDEC J-STD-020C)



**Miniature - Toggle Switch  
Type V-Bracket SPDT**

Part No.: **Q48A216**

DRW:	Jason	CHKD	Wilson	MATL:	Wilson	TOLERANCE	Mason	DATE	18.12.2015
APPD:	Schumi			FINISH	Jamy		Sheet No.	13 from 13	Customer: