



DATA SHEET

Miniature - Toogle Switch Type R/A -H-Type DPDT

Serie: Q48A210

**Miniature - Toogle Switch
Type R/A -H-Type DPDT**

Serie No.: **Q48A210**

Customer:

| | | | | | | | | | |
|-------|--------|------|--------|--------|--------|-----------|-----------|------|------------|
| DRW: | Jason | CHKD | Wilson | MATL: | Wilson | TOLERANCE | Mason | DATE | 18.12.2015 |
| APPD: | Schumi | | | FINISH | Jamy | | Sheet No. | | 1 from 13 |

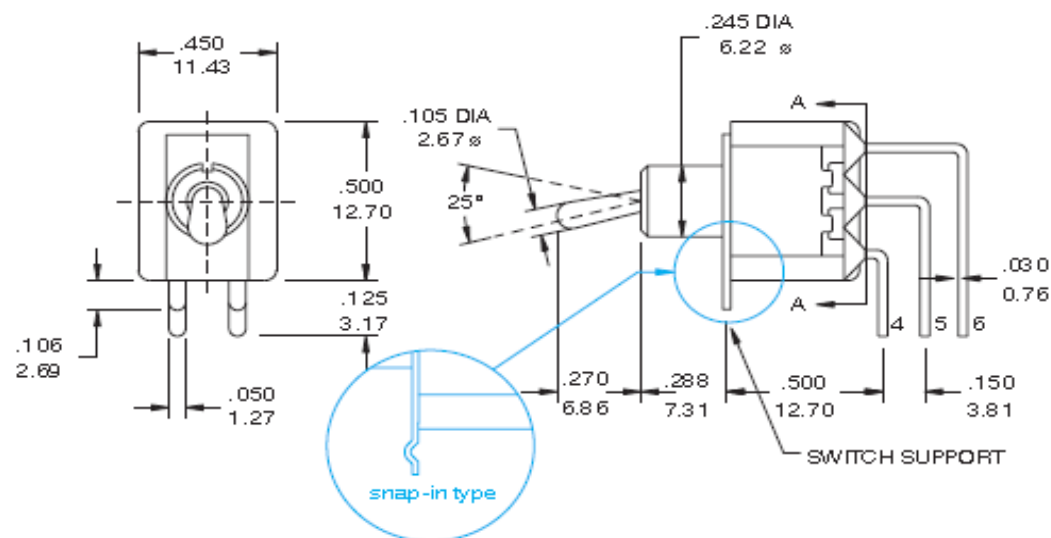
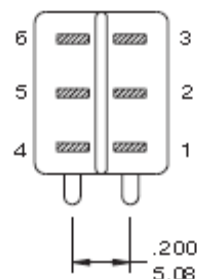
EDCON-COMPONENTS



Technical Informations

Contact Rating: 5A @ 125VAC or 28VDC (silver plated)
Contact Resistance: 10mΩ max initial @ 2-4VDC, 100mA
Electrical Lifetime: 50.000 make and break cycles full loaded
Insulation Resistance: 1000MΩ min.
Dielectric Strength: 1500V RMS @ sea level
Operating Temperature: -30°C to + 85°C

Housing: Stainless Steel
Case: Diallyl phthalate
Contact and Terminal: copper alloy, silver plated
Bushing: copper alloy, nickel plated
Toggle: copper alloy, chrome plated



| Switching Pos. Order Code | Switching Position | | |
|-------------------------------|--------------------|----------|----------|
| | | | |
| 200 | ON | NONE | ON |
| 201 | ON | NONE | (ON) |
| 202 | ON | OFF | ON |
| 203 | (ON) | OFF | (ON) |
| 204 | ON | OFF | (ON) |
| Tem. Com | 2-3, 5-6 | open | 2-1, 5-4 |
| 3 Way Switch SP3T look Page 9 | | | |
| 205 | ON | ON | ON |
| 206 | (ON) | ON | (ON) |
| 207 | ON | ON | (ON) |
| Tem. Com | 2-3, 5-6 | 2-3, 5-4 | 2-1, 5-4 |



**Miniature - Toggle Switch
Type R/A -H-Type DPDT**

Part No.: **Q48A210**

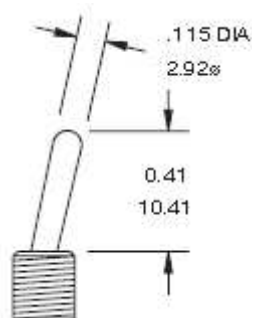
| | | | | | | | | | |
|-------|--------|------|--------|--------|--------|-----------|-----------|------|------------|
| DRW: | Jason | CHKD | Wilson | MATL: | Wilson | TOLERANCE | Mason | DATE | 18.12.2015 |
| APPD: | Schumi | | | FINISH | Jamy | | Sheet No. | | 2 from 13 |

Customer:

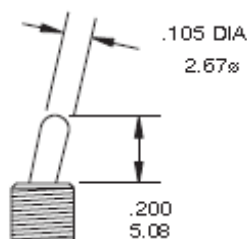
EDCON-COMPONENTS



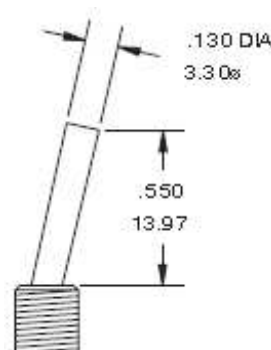
Actuator Optional Order Code



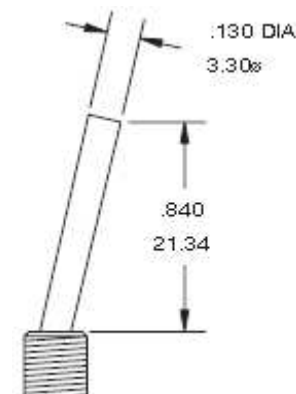
Code AA
Toogle Plastic Caps
Look Page 4



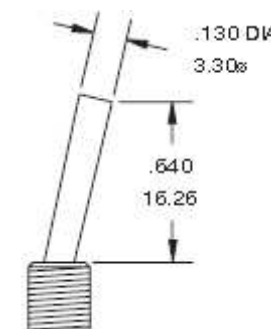
Code AB
Toogle Plastic Caps
Look Page 4



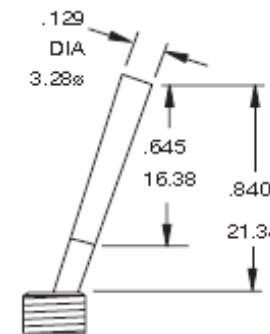
Code AC



Code AD

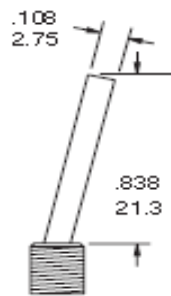


Code AE



Code AF = Plastic Handle

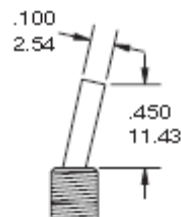
Only Bushing Type BG / BH / BJ U2 (long)



Code AG

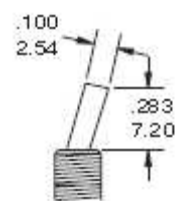
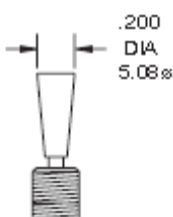


Code AH



Code AJ

Only Bushing Type BG / BH / BJ



**Miniature - Toogle Switch
Type R/A -H-Type DPDT**

Part No.: **Q48A210**

| | | | | | | | | | |
|-------|--------|------|--------|--------|--------|-----------|-----------|------|------------|
| DRW: | Jason | CHKD | Wilson | MATL: | Wilson | TOLERANCE | Mason | DATE | 18.12.2015 |
| APPD: | Schumi | | | FINISH | Jamy | | Sheet No. | | 3 from 13 |

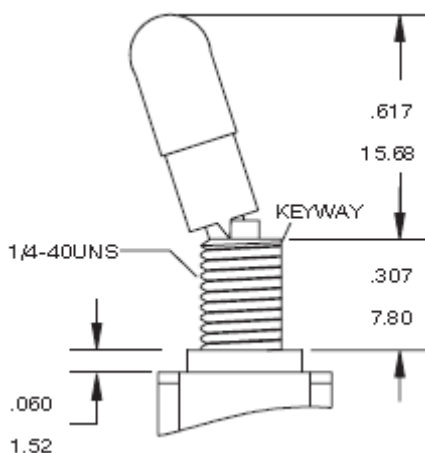
Customer:

EDCON-COMPONENTS

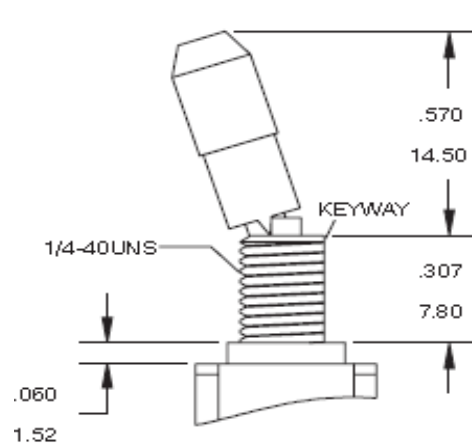


Actuator Optional Order Code

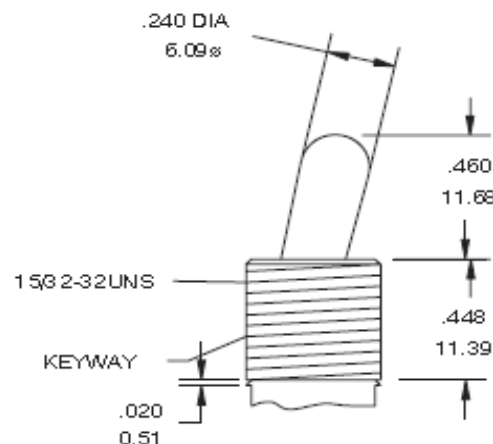
Locking Lever Type



Code AK

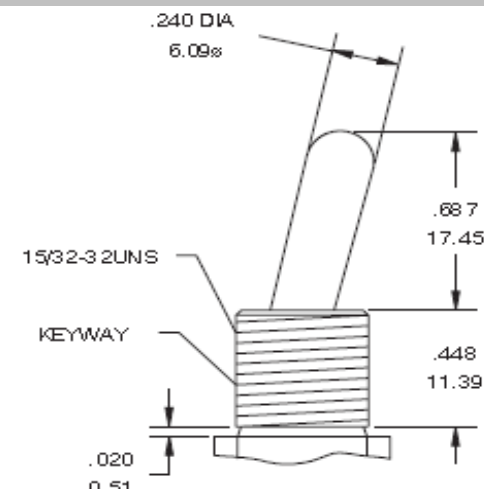


Code AL



Code AM

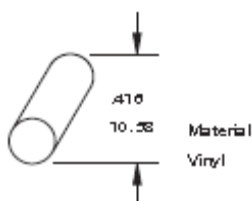
Code AN Anti Rotation Code



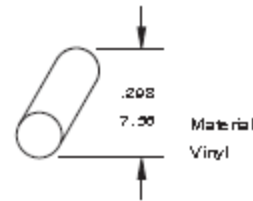
Code AO

Code AP Anti Rotation Code

| Toogle Plastic Caps Order Code Toogle Type AA | |
|---|-------------|
| 00 | w/o Cap |
| A1 | transparent |
| A2 | white |
| A3 | black |
| A4 | red |
| A5 | yellow |
| A6 | blue |
| A7 | green |
| A8 | orange |



| Toogle Plastic Caps Order Code Toogle Type AB | |
|---|-------------|
| 00 | w/o Cap |
| B1 | transparent |
| B2 | white |
| B3 | black |
| B4 | red |
| B5 | yellow |
| B6 | blue |
| B7 | green |
| B8 | orange |



| Order Code Toogle Caps Only Toogle Type AF | |
|--|-------|
| F1 | White |
| F2 | Red |
| F3 | Black |

Miniature - Toogle Switch Type R/A -H-Type DPDT

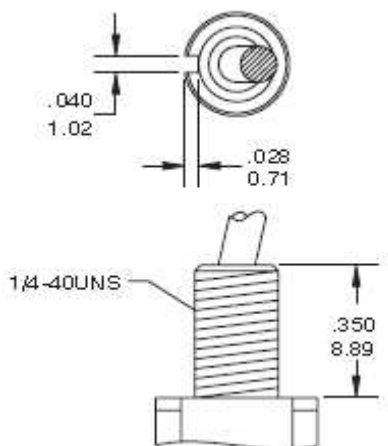
Part No.: **Q48A210**

| | | | | | | | | | | |
|-------|--------|------|--------|--------|--------|-----------|-----------|-----------|------------|-----------|
| DRW: | Jason | CHKD | Wilson | MATL: | Wilson | TOLERANCE | Mason | DATE | 18.12.2015 | Customer: |
| APPD: | Schumi | | | FINISH | Jamy | | Sheet No. | 4 from 13 | | |

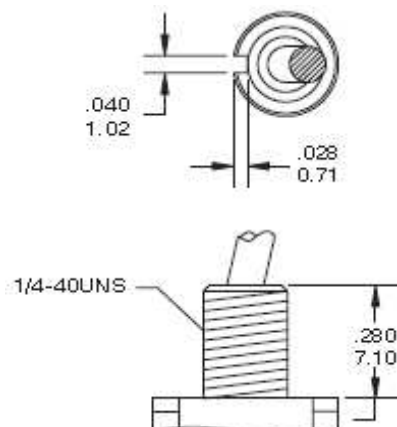
EDCON-COMPONENTS



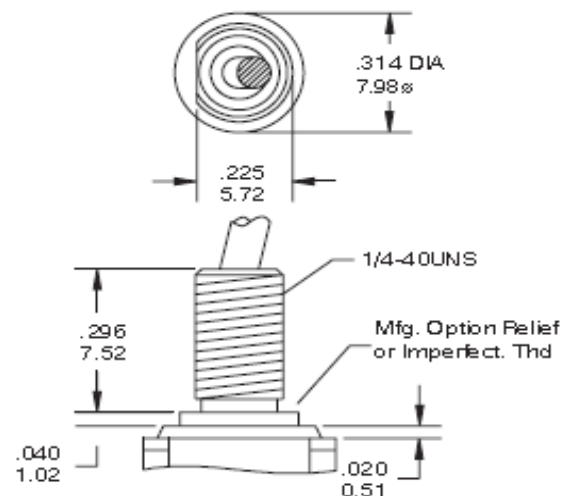
Bushing Options Order Code



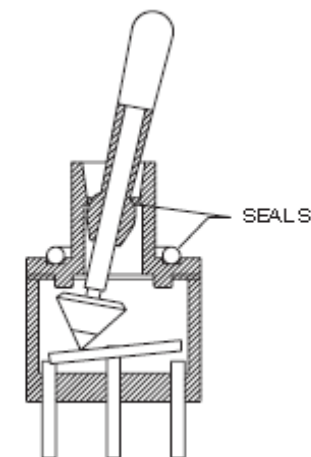
Code BA = with thread
Code BB = without thread



Code BC = with thread
Code BD = without thread



Code BE = with Thread
Code BF = without Thread



Seal Standard

**Miniature - Toogle Switch
Type R/A -H-Type DPDT**

Part No.: **Q48A210**

| | | | | | | | | | |
|-------|--------|------|--------|--------|--------|-----------|-----------|-----------|------------|
| DRW: | Jason | CHKD | Wilson | MATL: | Wilson | TOLERANCE | Mason | DATE | 18.12.2015 |
| APPD: | Schumi | | | FINISH | Jamy | | Sheet No. | 5 from 13 | Customer: |

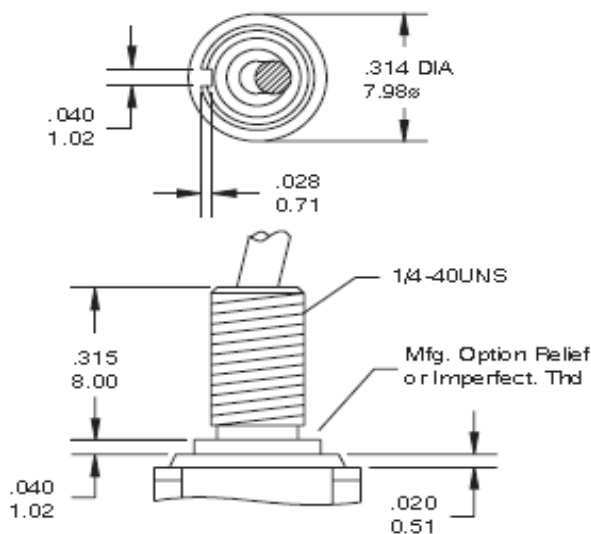
www.edcon-components.com

email: info@edcon-components.com

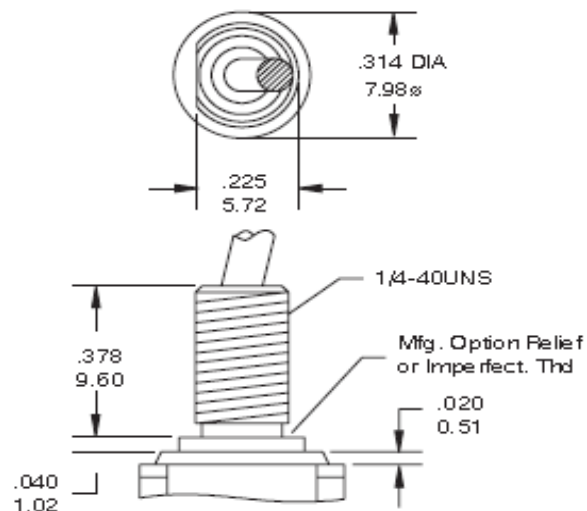
EDCON-COMPONENTS



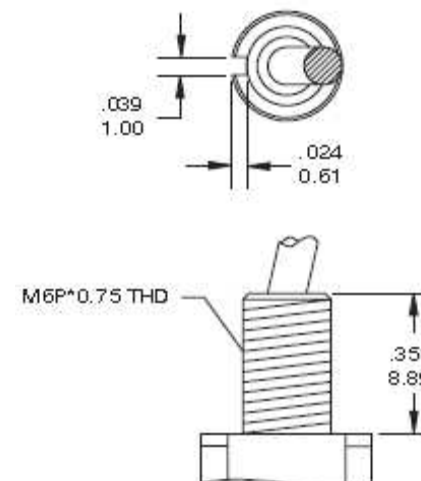
Bushing Options Order Code



Code BG = with Thread
Code BH = without Thread
Code BJ = with Metric Thread



Code BK = with Thread
Code BL = without Thread



Code BM = with Metric Thread

**Miniature - Toogle Switch
 Type R/A -H-Type DPDT**

Part No.: **Q48A210**

| | | | | | | | | | |
|-------|--------|------|--------|--------|--------|-----------|-----------|-----------|------------|
| DRW: | Jason | CHKD | Wilson | MATL: | Wilson | TOLERANCE | Mason | DATE | 18.12.2015 |
| APPD: | Schumi | | | FINISH | Jamy | | Sheet No. | 6 from 13 | Customer: |

www.edcon-components.com

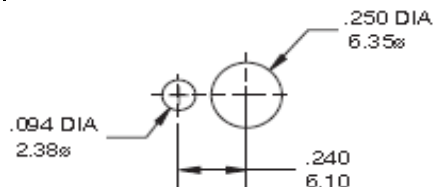
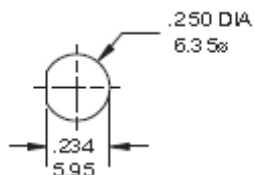
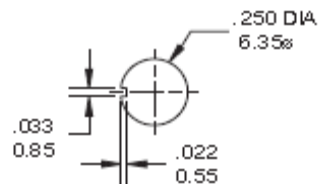
email: info@edcon-components.com

EDCON-COMPONENTS

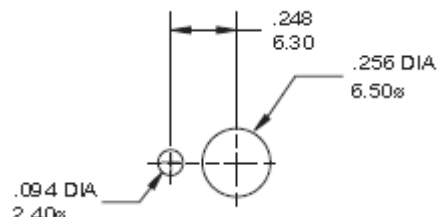
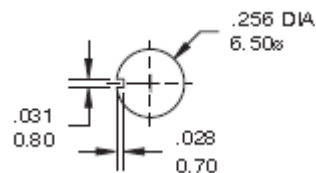


Panel Mounting Informations

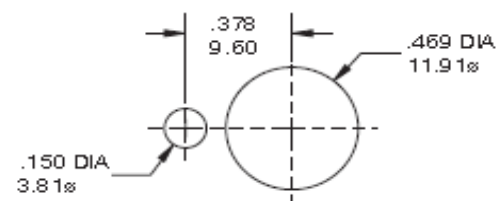
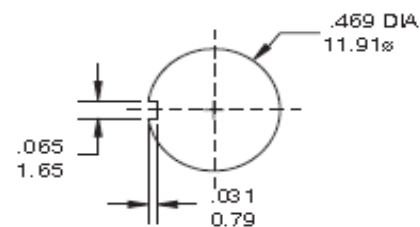
1/4 in. Bushing



Metric Bushing



15/32 IN. Bushing



**Miniature - Toogle Switch
Type R/A -H-Type DPDT**

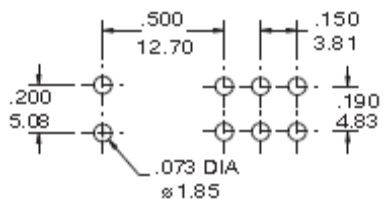
Part No.: **Q48A210**

| | | | | | | | | | |
|-------|--------|------|--------|--------|--------|-----------|-----------|-----------|------------|
| DRW: | Jason | CHKD | Wilson | MATL: | Wilson | TOLERANCE | Mason | DATE | 18.12.2015 |
| APPD: | Schumi | | | FINISH | Jamy | | Sheet No. | 7 from 13 | Customer: |

EDCON-COMPONENTS



Terminal Option Order Code



PCB Layout

Order Code= A

Terminal Seal Order Code



Code= 0 without Seal
Code= 1 with Seal

**Miniature - Toogle Switch
Type R/A -H-Type DPDT**

Part No.: **Q48A210**

| | | | | | | | | | | |
|-------|--------|------|--------|--------|--------|-----------|-----------|-----------|------------|-----------|
| DRW: | Jason | CHKD | Wilson | MATL: | Wilson | TOLERANCE | Mason | DATE | 18.12.2015 | Customer: |
| APPD: | Schumi | | | FINISH | Jamy | | Sheet No. | 8 from 13 | | |

www.edcon-components.com

email: info@edcon-components.com

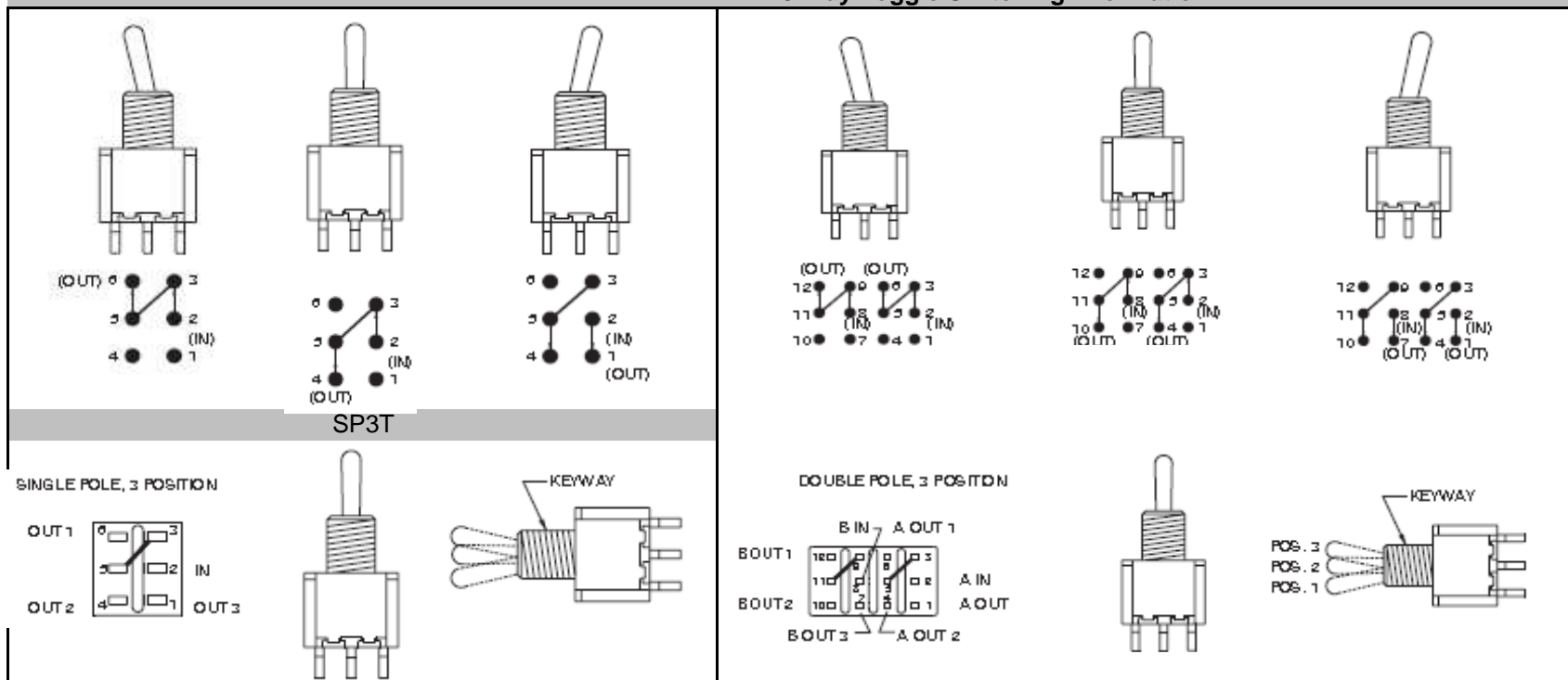
EDCON-COMPONENTS



Contact Material Order Code

| Order Code | Contact Material | Terminal Material | Rating |
|------------|--------------------------------|--------------------------------|---|
| A | Silver Plated | Silver Plated | 5A @ 125VAC or 28VDC 3A @ 250VAC |
| B | Gold plated over nickel plated | Gold plated over nickel plated | 0,4A max @20VAC or DC max. |
| C | Gold plated over silver plated | Gold plated over silver plated | 0,4A max @20VAC or DC max.or 5A @ 125VAC or 28VDC 3A @ 250VAC |

3 Way Toggle Switching information



**Miniature - Toogle Switch
Type R/A -H-Type DPDT**

Part No.: **Q48A210**

| | | | | | | | | | |
|-------|--------|------|--------|--------|--------|-----------|-----------|------|------------|
| DRW: | Jason | CHKD | Wilson | MATL: | Wilson | TOLERANCE | Mason | DATE | 18.12.2015 |
| APPD: | Schumi | | | FINISH | Jamy | | Sheet No. | | 9 from 13 |

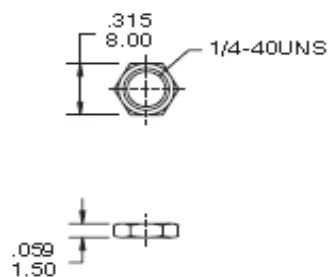
Customer:

EDCON-COMPONENTS



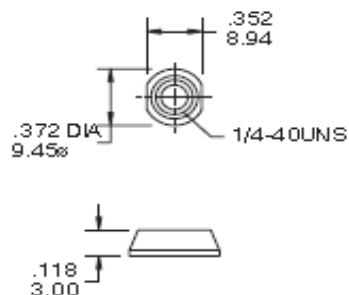
Nut Hardware Option of Toggle Switch

Standard Nut 1/4-40



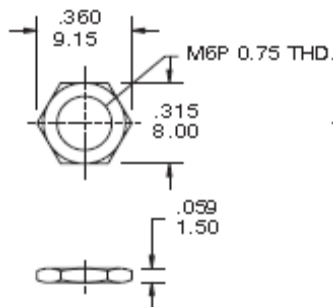
Order Code =A

Dress Nut 1/4-40



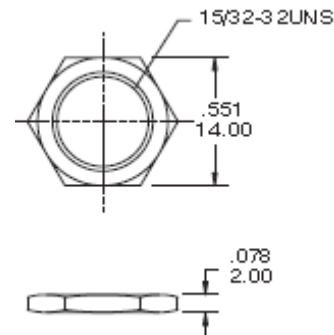
Order Code =B

Metric Nut



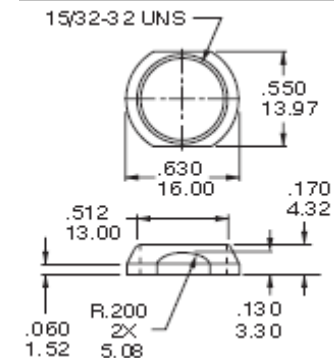
Order Code =C

15/32 UNS



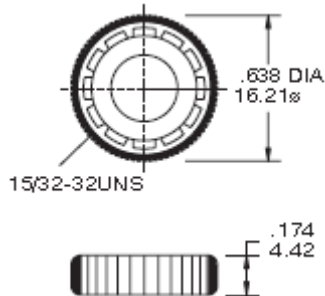
Order Code =D

15/32 Dress Nut



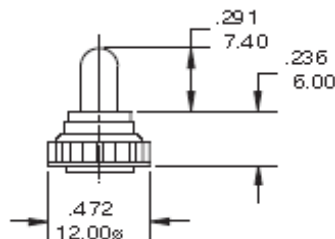
Order Code =E

15/32 Knurled Nut



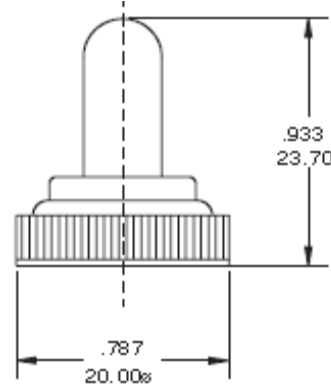
Order Code =F

Rubber Hood

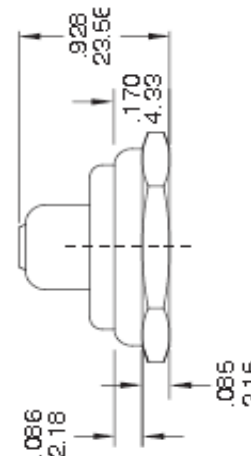


Order Code Metric = G
Order Code Inch = H

Rubber Hood

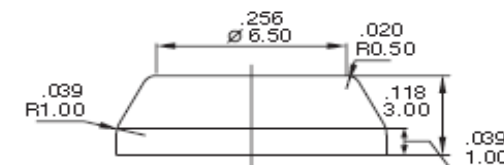


Order Code 15/32 = J



Order Code 15/32 = K

For large Toggle 15/32



Order Code O Ring = L

**Miniature - Toggle Switch
Type R/A -H-Type DPDT**

Part No.: **Q48A210**

Customer:

| | | | | | | | | | |
|-------|--------|------|--------|--------|--------|-----------|-----------|------|------------|
| DRW: | Jason | CHKD | Wilson | MATL: | Wilson | TOLERANCE | Mason | DATE | 18.12.2015 |
| APPD: | Schumi | | | FINISH | Jamy | | Sheet No. | | 10 from 13 |

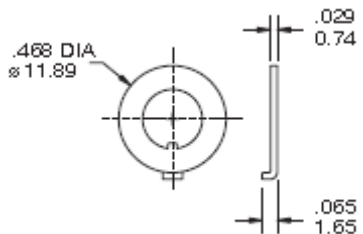
EDCON-COMPONENTS



Locking Ring Order Code

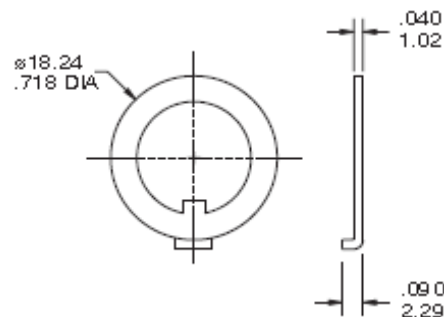
Lock Washer Order Code

Standard 1/4-40 Type 1



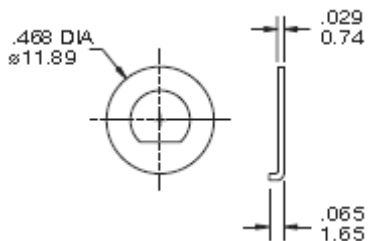
Code = A

Standard 15/32



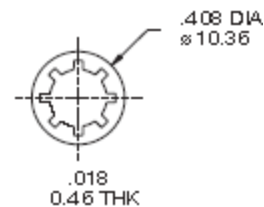
Code = C

Standard 1/4-40 Type 2



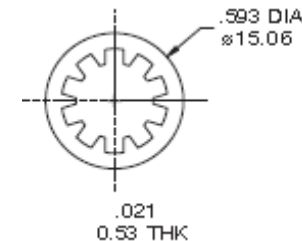
Code = B

Standard 1/4-40



Code = 1

Standard 15/32



Code = 2

**Miniature - Toggle Switch
Type R/A -H-Type DPDT**

Part No.: **Q48A210**

Customer:

| | | | | | | | | | |
|-------|--------|------|--------|--------|--------|-----------|-----------|------|------------|
| DRW: | Jason | CHKD | Wilson | MATL: | Wilson | TOLERANCE | Mason | DATE | 18.12.2015 |
| APPD: | Schumi | | | FINISH | Jamy | | Sheet No. | | 11 from 13 |

EDCON-COMPONENTS



Ordering Informations

| Serie | Switching Position | Toogle Options | Cap Options | Bushing Options | Terminal Options | Terminal Seal Options | Contact Mat. Options | Nut Options | Locking Options | Look Washer options | ROHS |
|----------------|--------------------|-----------------|-------------|-----------------|------------------|-----------------------|----------------------|--------------|-----------------|---------------------|--|
| Q48A210 | 2xx | Ax | 00 | Bx | A | X | X | N | N | N | R |
| | Look Page 2 | Look Page 3 + 4 | Look Page 4 | Look Page 5 + 6 | Look Page 8 | Look Page 8 | Look Page 9 | Look Page 10 | Look Page 11 | Look Page 11 | R= ROHS Conform N= NON ROHS Conform |

Packing Code

B

B= Bulk Ware
I= Individual Package

**Miniature - Toogle Switch
Type R/A -H-Type DPDT**

Part No.: **Q48A210**

| | | | | | | | | | | |
|-------|--------|------|--------|--------|--------|-----------|-----------|------------|------------|-----------|
| DRW: | Jason | CHKD | Wilson | MATL: | Wilson | TOLERANCE | Mason | DATE | 18.12.2015 | Customer: |
| APPD: | Schumi | | | FINISH | Jamy | | Sheet No. | 12 from 13 | | |



Soldering Profile Curve

Classification Reflow Profile (JEDEC J-STD-020C)



**Miniature - Toogle Switch
Type R/A -H-Type DPDT**

Part No.: **Q48A210**

| | | | | | | | | | |
|-------|--------|------|--------|--------|--------|-----------|-----------|------------|------------|
| DRW: | Jason | CHKD | Wilson | MATL: | Wilson | TOLERANCE | Mason | DATE | 18.12.2015 |
| APPD: | Schumi | | | FINISH | Jamy | | Sheet No. | 13 from 13 | Customer: |