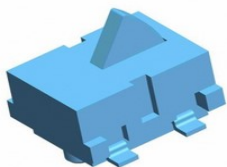
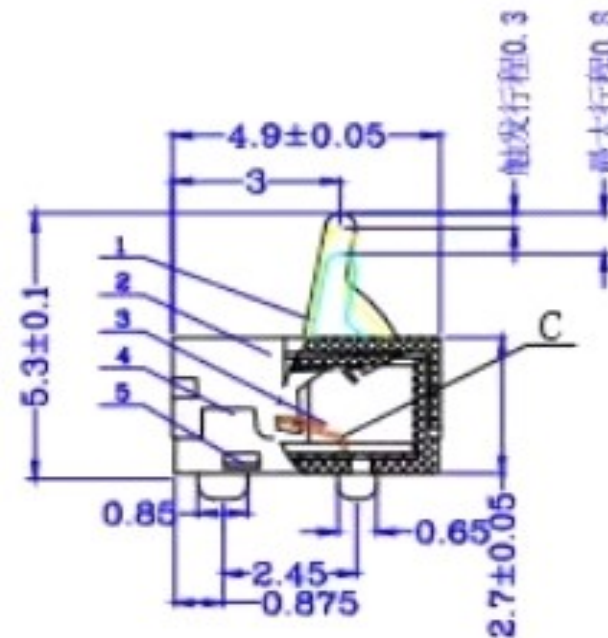
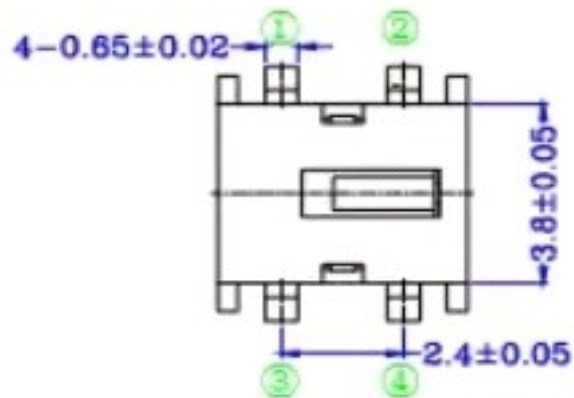
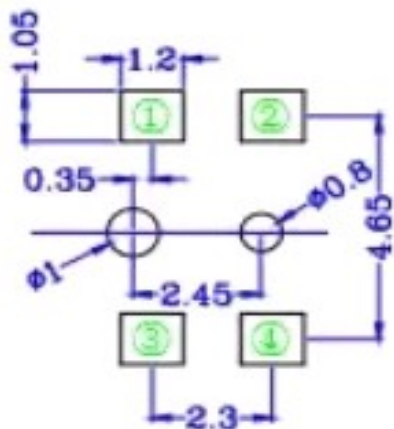


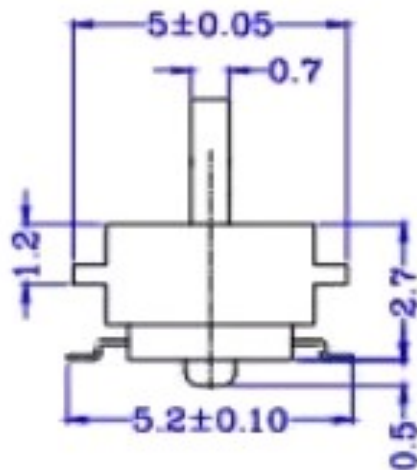
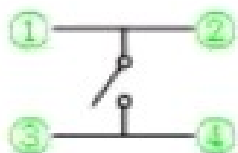
EDCON-COMPONENTS



P.C.B Layout (mm)



Circuit



SMD Detector SWITCH

Part No.: **Q22089**

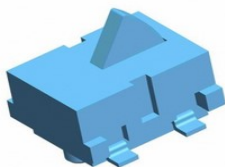
Customer:

DRW:	Jason	CHKD	Wilson	MATL:	Wilson	TOLERANCE	Mason	DATE	10.12.2023
APPD:	Schumi			FINISH	Jamy		Sheet No.		2 from 4

www.edcon-components.com

email: info@edcon-components.com

EDCON-COMPONENTS



Ordering Informations

Serie	Knob Type	Knob Height	Circuit	Solder Pin Length	Illuminated Colors E	Operating Force F	Special function G	ROHS	Packing
Q22089	A0	B0	C0	D0	E0	F0	G0	R	TR

A0 = No function	B0 = No function	C0 = No function	D0 = No function	E0 = No function	F0 = 20gf / +/- 10gf	G0 = No function	R = ROHS conform	BU = Bulk Ware
A1 = Type A1	B1 = Length mm	C1 = Non Shorting	D1 = Length xmm				N = Non ROHS	TY = Tray Packing
A2 = Type A2	B2 = Length mm	C2 = Shorting	D2 = Length xmm					
A3 = Type A3	B3 = Length mm		D3 = Length xmm					
A4 = Type A4	B4 = Length mm		D4 = Length xmm					IV = Individual Packing
A4 = Type A4	B5 = Length mm		D5 = Length xmm					

SMD Detector SWITCH

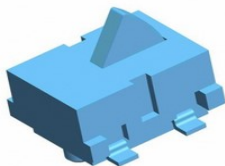
Part No.: **Q22089**

Customer:

DRW:	Jason	CHKD	Wilson	MATL:	Wilson	TOLERANCE	Mason	DATE	10.12.2023
APPD:	Schumi			FINISH	Jamy		Sheet No.		3 from 4

www.edcon-components.com

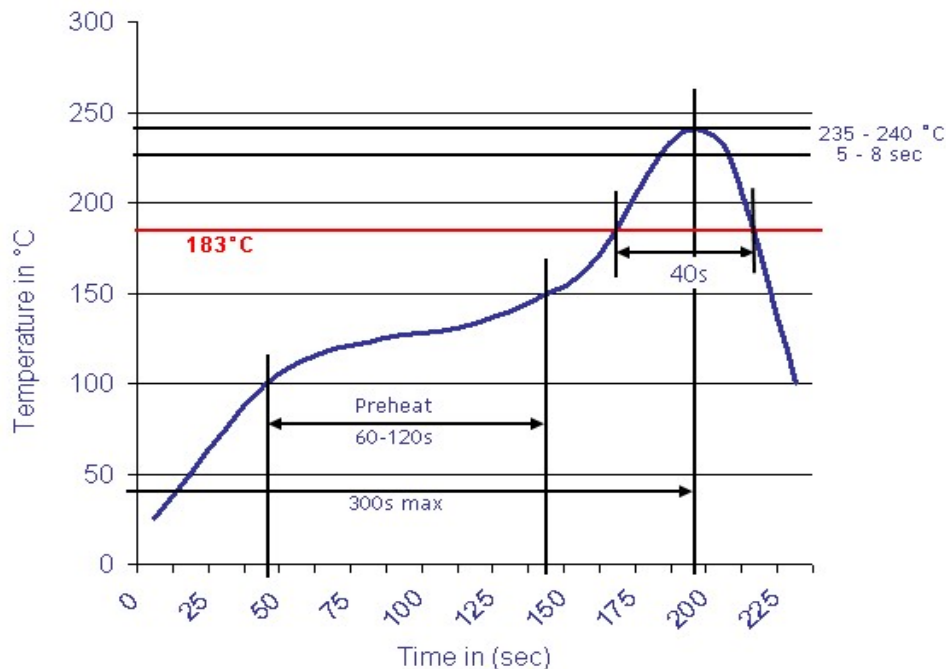
email: info@edcon-components.com



Soldering Profile for Lead Free Soldering

Soldering Profile for Reflow Soldering

Classification Reflow Profile (JEDEC J-STD-020C)



SMD Detector SWITCH

Part No.: **Q22089**

Customer:

DRW:	Jason	CHKD	Wilson	MATL:	Wilson	TOLERANCE	Mason	DATE	10.12.2023
APPD:	Schumi			FINISH	Jamy		Sheet No.		4 from 4