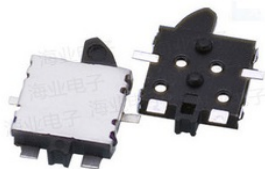


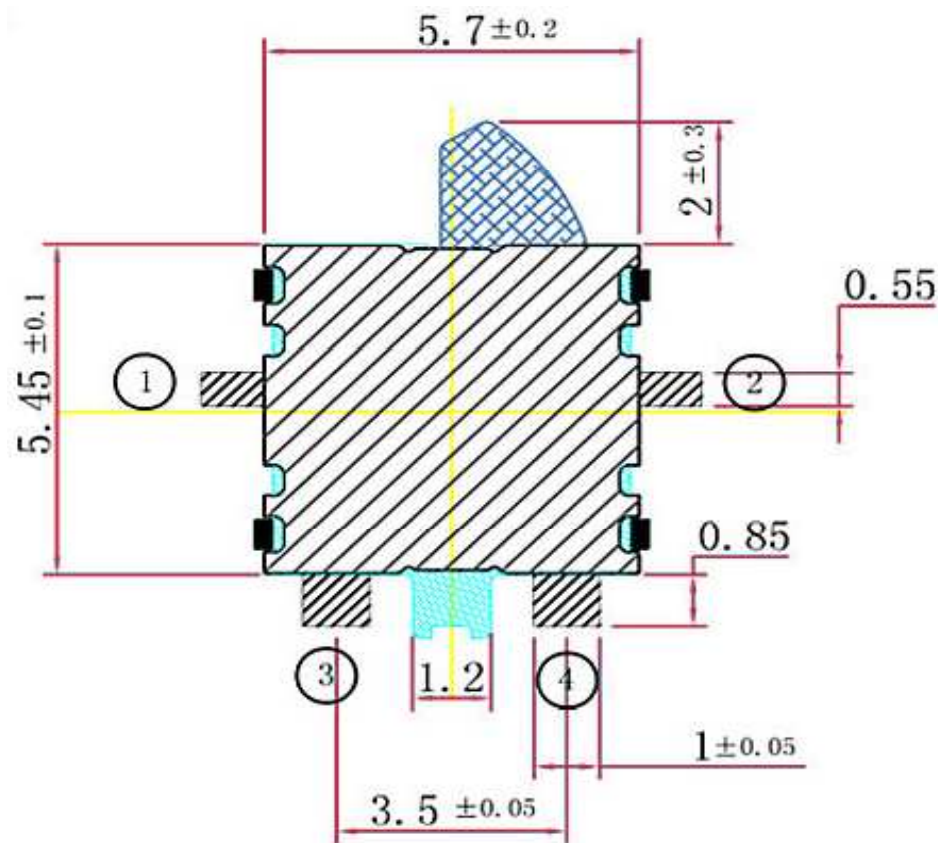
EDCON-COMPONENTS



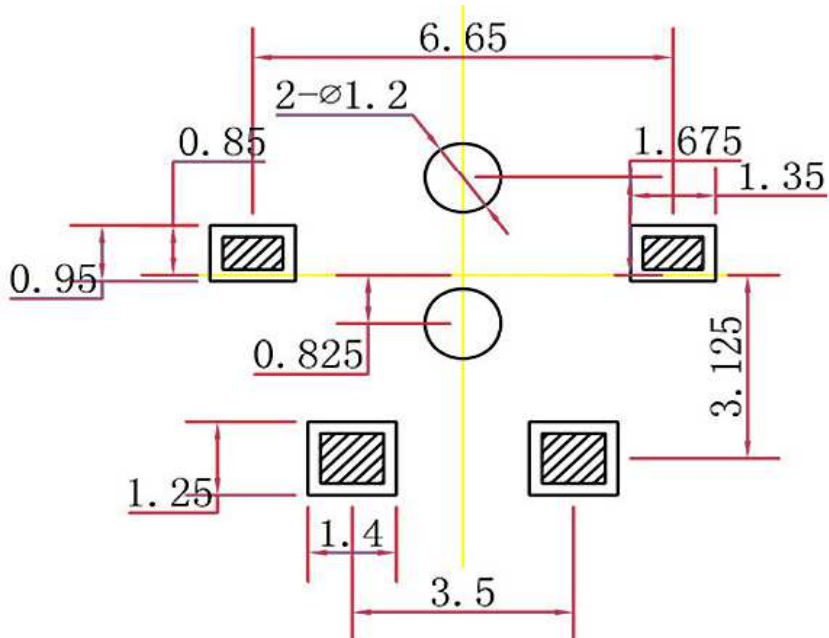
SPECIFICATION:

Voltage Rating:	12VDC
Current Rating:	50mA
Mechanical Life:	500000 cycles
Contact Resistance:	<200m Ω max. (initial)
Insulation Resistance:	>100M Ω min. 500VDC
Dielectric Strength:	100VAC/1min.
Operating Temperature:	.-10°C ~ +60°C
Operating Force:	look Ordering Code
Switch function:	OFF-(ON)

Drawing / Dimensions (mm)



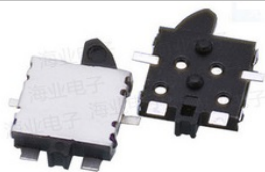
PCB-Layout TOP VIEW



Tolerances unless otherwise specified (mm)				
x	x.x	x.xx	x.xxx	Angle
±	±	±	±	±3°
DRW:	Jason	CHKD	Wilson	MATL:
APPD:	Schumi			FINISH
				Wilson
				Jamy
				Mason
				DATE
				18.04.2021
				Sheet No.
				1 from 4

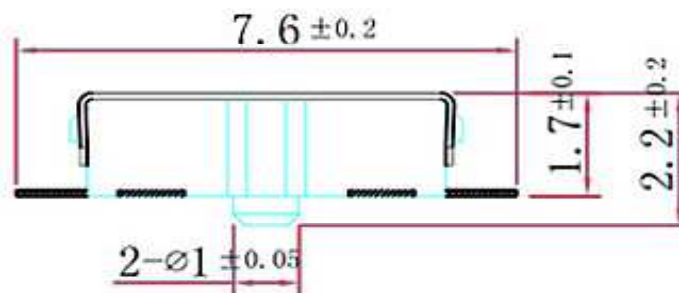
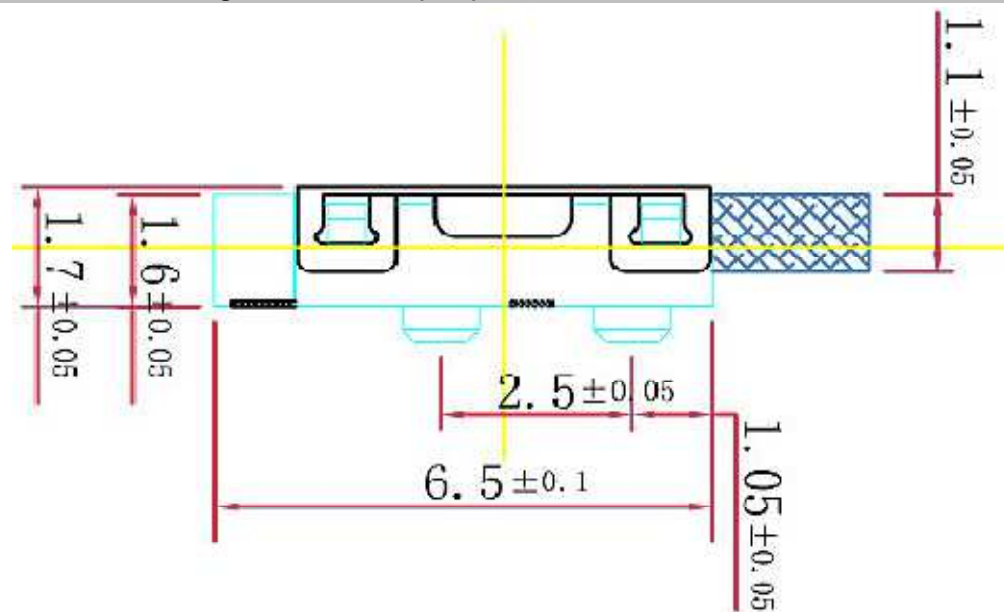
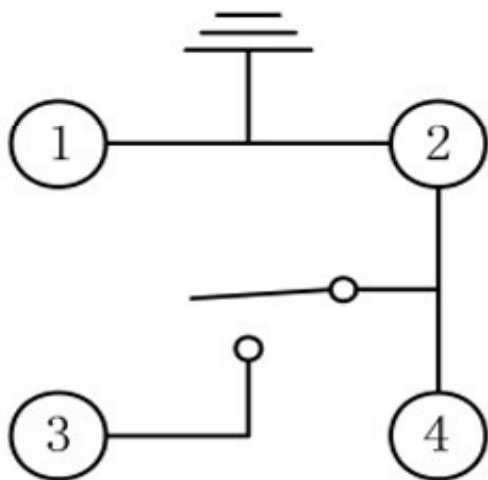
SMT Detector Switch	
Part No.:	Q22080
Customer:	

EDCON-COMPONENTS



Circuit

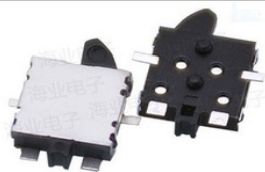
Drawing / Dimensions (mm)



SMT Detector Switch	
Part No.:	Q22080
Customer:	

DRW:	Jason	CHKD	Wilson	MATL:	Wilson	TOLERANCE	Mason	DATE	18.04.2021
APPD:	Schumi			FINISH	Jamy		Sheet No.	2 from 4	

EDCON-COMPONENTS



Ordering Informations

Serie	Total height w. Body	Fill with 0	Operating Force	Polarisation Peg	Electrical life	Cap Option	Cap Colour	Special function	ROHS	Packing
Q22080	017	X	050	Y	503	N	N	N	R	TR

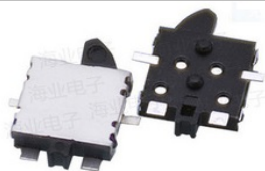
017 = 1,7mm	X = no function	050 = 50gr	N = without Peg	503 = 50000 Cycles	N = No Cap option	N = No Cap Option	N = No Function	N = Non ROHS	TR = Tape/Reel Packing
			Y = with Peg					R = ROHS conform	TU = Tube Packing
									BU = Bulk Ware

SMT Detector Switch

Part No.: **Q22080**

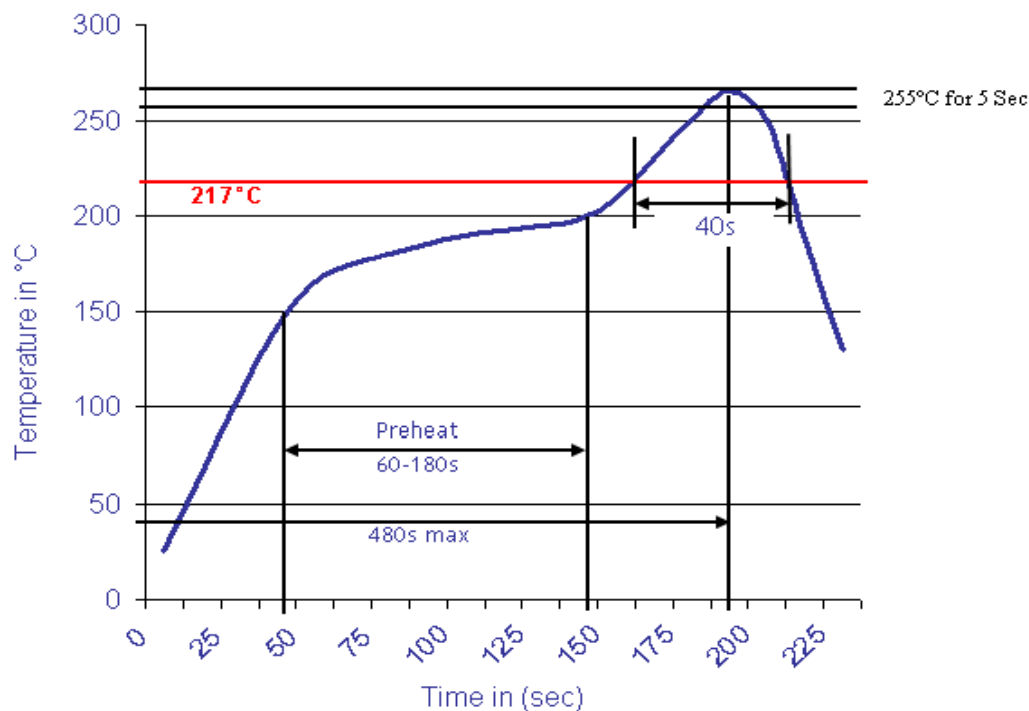
Customer:

DRW:	Jason	CHKD	Wilson	MATL:	Wilson	TOLERANCE	Mason	DATE	18.04.2021
APPD:	Schumi			FINISH	Jamy		Sheet No.	3 from 4	



Soldering Profile Lead Free Curve

Classification Reflow Profile (JEDEC J-STD-020C)



SMT Detector Switch

Part No.: **Q22080**

Customer:

DRW:	Jason	CHKD	Wilson	MATL:	Wilson	TOLERANCE	Mason	DATE	18.04.2021
APPD:	Schumi			FINISH	Jamy		Sheet No.	4 from 4	