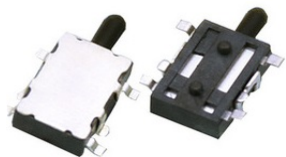


EDCON-COMPONENTS

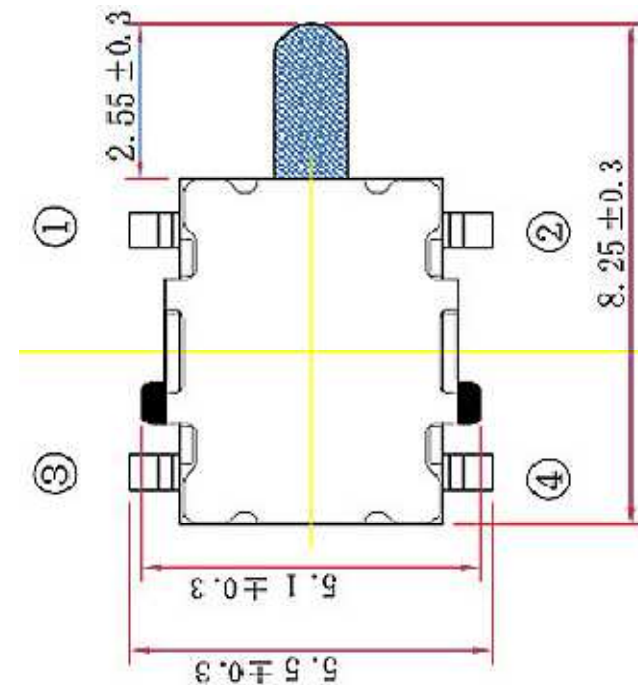
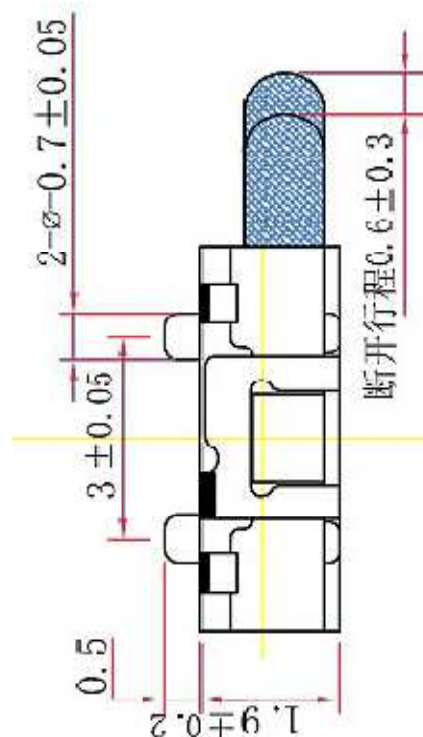
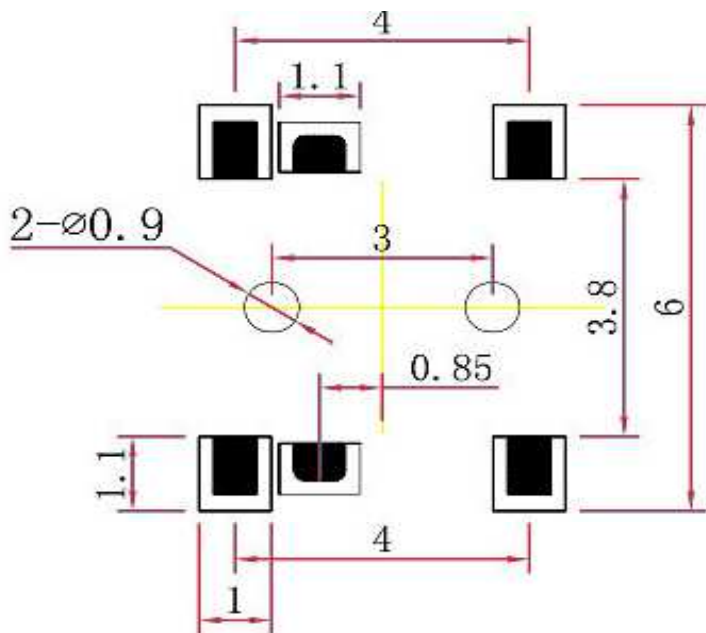


SPECIFICATION:

Voltage Rating:	12VDC
Current Rating:	50mA
Mechanical Life:	500000 cycles
Contact Resistance:	<200m Ω max. (initial)
Insulation Resistance:	>100M Ω min. 500VDC
Dielectric Strength:	100VAC/1min.
Operating Temperature:	.-10°C ~ +60°C
Operating Force:	look Ordering Code
Switch function:	ON-(OFF)

Drawing / Dimensions (mm)

PCB-Layout TOP VIEW



Tolerances unless otherwise specified (mm)

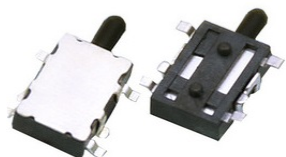
x	x.x	x.xx	x.xxx	Angle
±	±	±	±	±3°
DRW:	Jason	CHKD	Wilson	MATL:
APPD:	Schumi			FINISH
				Wilson
				Jamy
				Mason
				DATE
				18.04.2021
				Sheet No.
				1 from 4

SMT Detector Switch

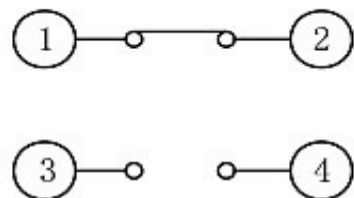
Part No.: **Q22078**

Customer:

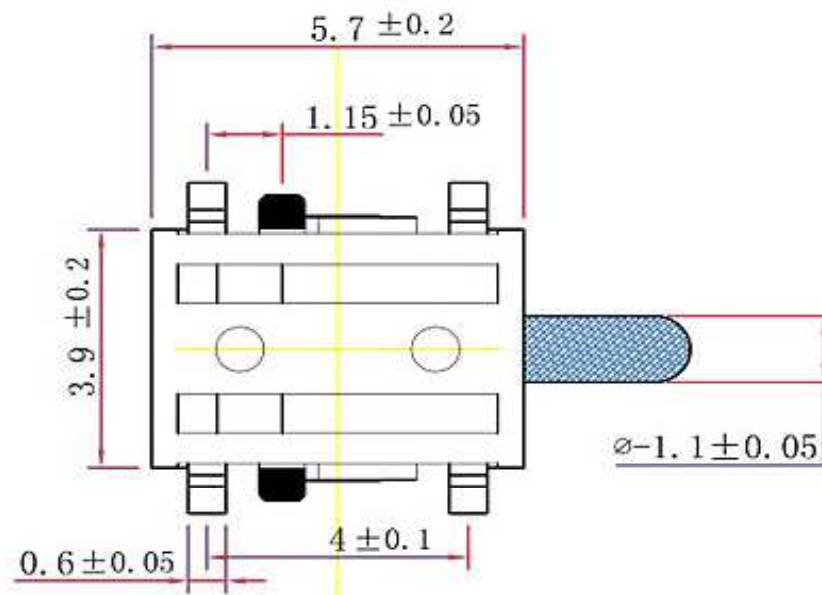
EDCON-COMPONENTS



Circuit



Drawing / Dimensions (mm)



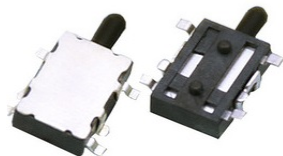
SMT Detector Switch

Part No.: **Q22078**

Customer:

DRW:	Jason	CHKD	Wilson	MATL:	Wilson	TOLERANCE	Mason	DATE	18.04.2021
APPD:	Schumi			FINISH	Jamy		Sheet No.	2 from 4	

EDCON-COMPONENTS



Ordering Informations

Serie	Total height w. Body	Fill with 0	Operating Force	Polarisation Peg	Electrical life	Cap Option	Cap Colour	Special function	ROHS	Packing
Q22078	019	X	080	Y	503	N	N	N	R	TR

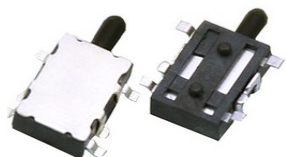
032= 3,2mm	X= no function	080= 80gr	N= without Peg	503= 50000 Cycles	N= No Cap option	N= No Cap Option	N= No Function	N= Non ROHS	TR = Tape/Reel Packing
			Y= with Peg					R= ROHS conform	TU= Tube Packing
									BU= Bulk Ware

SMT Detector Switch

Part No.: **Q22078**

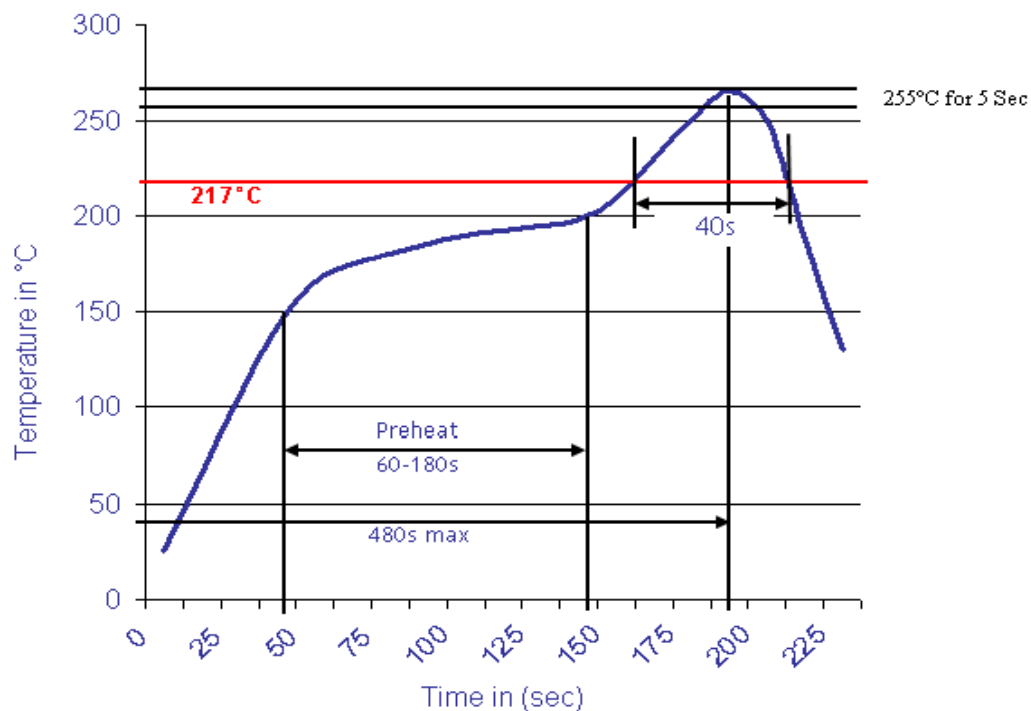
Customer:

DRW:	Jason	CHKD	Wilson	MATL:	Wilson	TOLERANCE	Mason	DATE	18.04.2021
APPD:	Schumi			FINISH	Jamy		Sheet No.		3 from 4



Soldering Profile Lead Free Curve

Classification Reflow Profile (JEDEC J-STD-020C)



SMT Detector Switch

Part No.: **Q22078**

Customer:

DRW:	Jason	CHKD	Wilson	MATL:	Wilson	TOLERANCE	Mason	DATE	18.04.2021
APPD:	Schumi			FINISH	Jamy		Sheet No.	4 from 4	