

EDCON-COMPONENTS

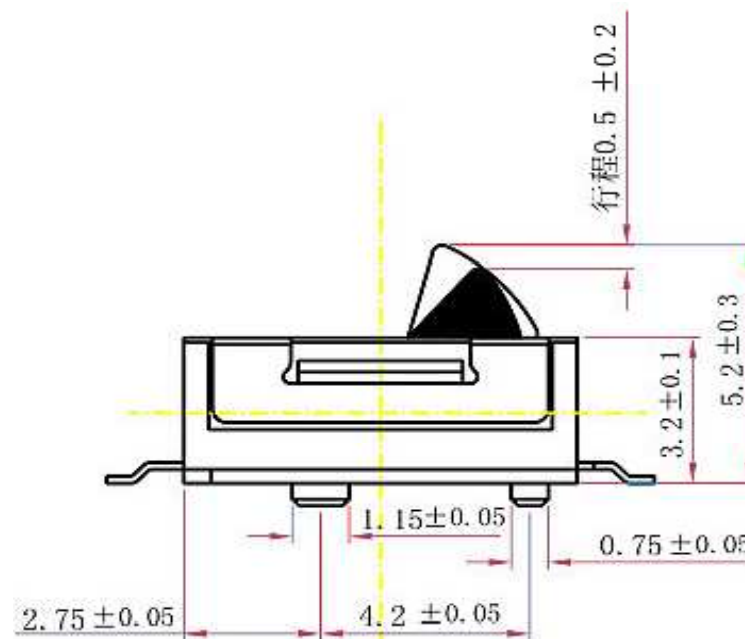
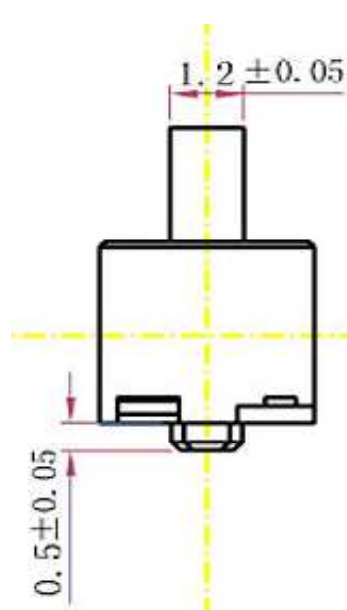
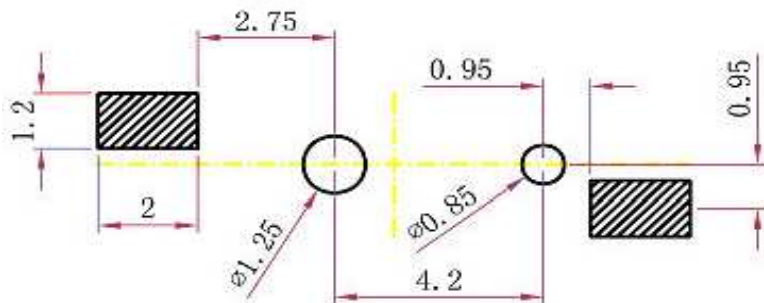


SPECIFICATION:

| | |
|------------------------|------------------------|
| Voltage Rating: | 12VDC |
| Current Rating: | 50mA |
| Mechanical Life: | 500000 cycles |
| Contact Resistance: | <200m Ω max. (initial) |
| Insulation Resistance: | >100M Ω min. 500VDC |
| Dielectric Strength: | 100VAC/1min. |
| Operating Temperature: | .-10°C ~ +60°C |
| Operating Force: | look Ordering Code |

Drawing / Dimensions (mm)

PCB-Layout TOP VIEW



Tolerances unless otherwise specified (mm)

| x | x.x | x.xx | x.xxx | Angle |
|-------|--------|------|--------|------------|
| ± | ± | ± | ± | ±3° |
| DRW: | Jason | CHKD | Wilson | MATL: |
| APPD: | Schumi | | | FINISH |
| | | | | Wilson |
| | | | | Jamy |
| | | | | Mason |
| | | | | DATE |
| | | | | 18.04.2021 |
| | | | | Sheet No. |
| | | | | 1 from 4 |

SMT Detector Switch

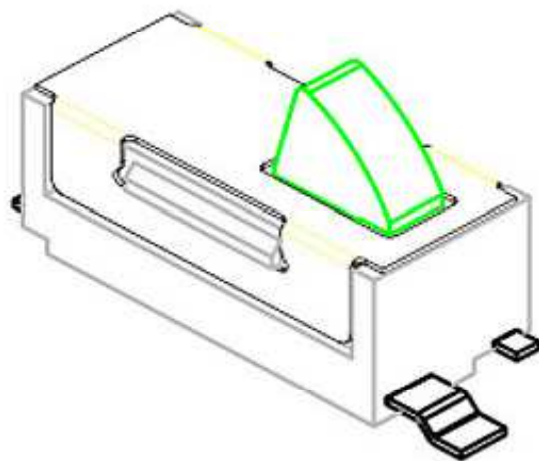
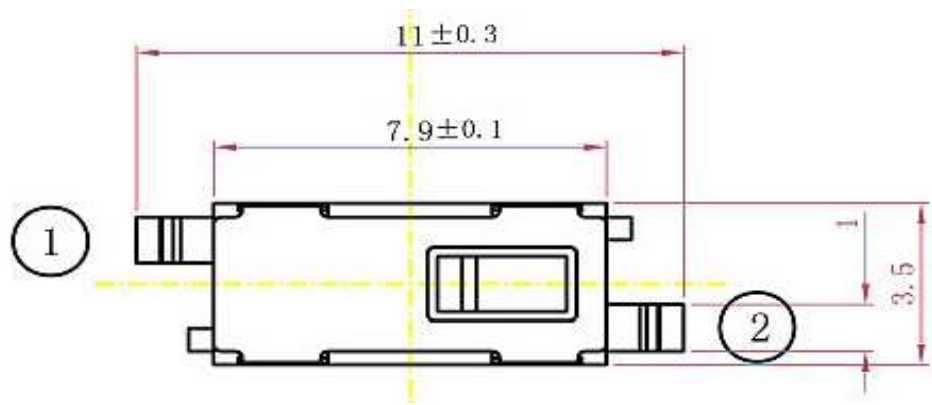
Part No.: **Q22077**

Customer:



Circuit

Drawing / Dimensions (mm)



| | |
|----------------------------|---------------|
| SMT Detector Switch | |
| Part No.: | Q22077 |
| Customer: | |

| | | | | | | | | | |
|-------|--------|------|--------|--------|--------|-----------|-----------|----------|------------|
| DRW: | Jason | CHKD | Wilson | MATL: | Wilson | TOLERANCE | Mason | DATE | 18.04.2021 |
| APPD: | Schumi | | | FINISH | Jamy | | Sheet No. | 2 from 4 | |

EDCON-COMPONENTS



Ordering Informations

| Serie | Total height w. Body | Fill with 0 | Operating Force | Polarisation Peg | Electrical life | Cap Option | Cap Colour | Special function | ROHS | Packing |
|---------------|----------------------|-------------|-----------------|------------------|-----------------|------------|------------|------------------|----------|-----------|
| Q22077 | 032 | X | 030 | Y | 503 | N | N | N | R | TR |

| | | | | | | | | | |
|--------------------|------------------------|-------------------|------------------------|---------------------------|--------------------------|--------------------------|------------------------|-------------------------|-------------------------------|
| 032 = 3,2mm | X = no function | 030 = 30gr | N = without Peg | 503 = 50000 Cycles | N = No Cap option | N = No Cap Option | N = No Function | N = Non ROHS | TR = Tape/Reel Packing |
| | | | Y = with Peg | | | | | R = ROHS conform | TU = Tube Packing |
| | | | | | | | | | BU = Bulk Ware |

SMT Detector Switch

Part No.: **Q22077**

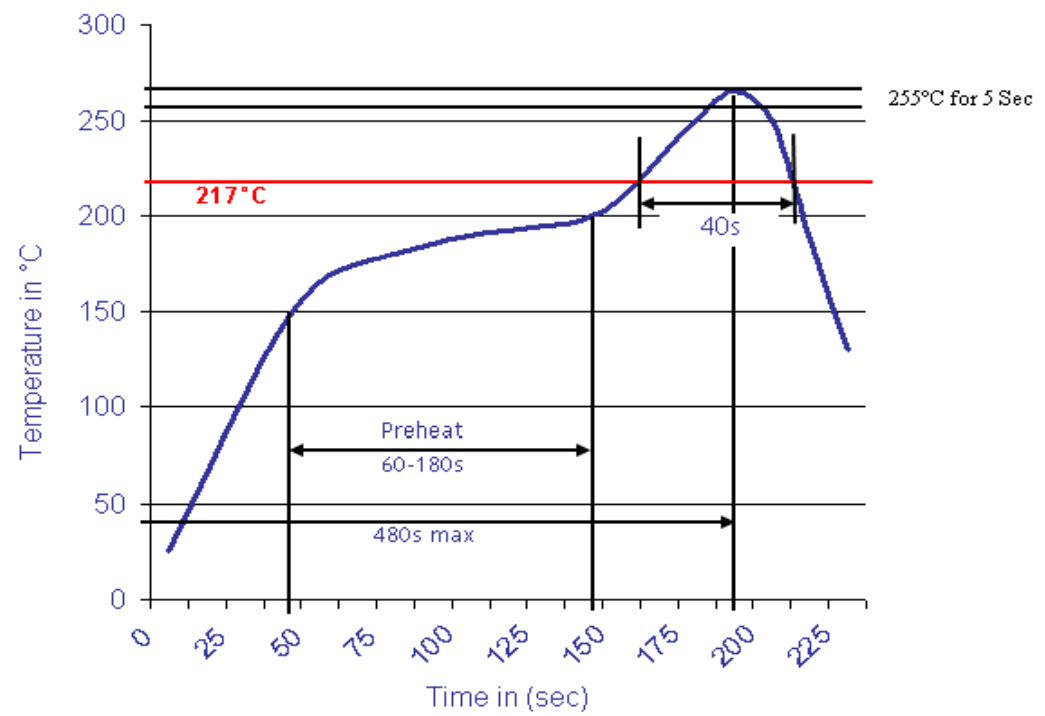
| | | | | | | | | | |
|-------|--------|------|--------|--------|--------|-----------|-----------|------|------------|
| DRW: | Jason | CHKD | Wilson | MATL: | Wilson | TOLERANCE | Mason | DATE | 18.04.2021 |
| APPD: | Schumi | | | FINISH | Jamy | | Sheet No. | | 3 from 4 |

Customer:



Soldering Profile Lead Free Curve

Classification Reflow Profile (JEDEC J-STD-020C)



| | |
|----------------------------|---------------|
| SMT Detector Switch | |
| Part No.: | Q22077 |
| Customer: | |

| | | | | | | | | | |
|-------|--------|------|--------|--------|--------|-----------|-----------|----------|------------|
| DRW: | Jason | CHKD | Wilson | MATL: | Wilson | TOLERANCE | Mason | DATE | 18.04.2021 |
| APPD: | Schumi | | | FINISH | Jamy | | Sheet No. | 4 from 4 | |