

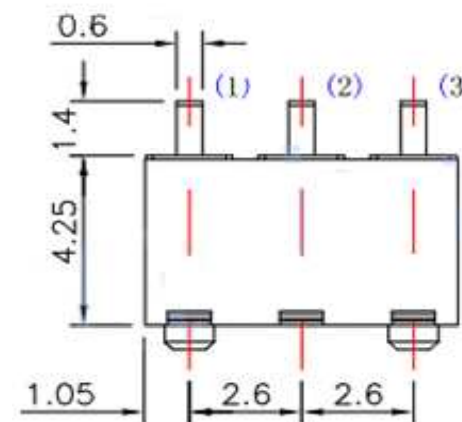
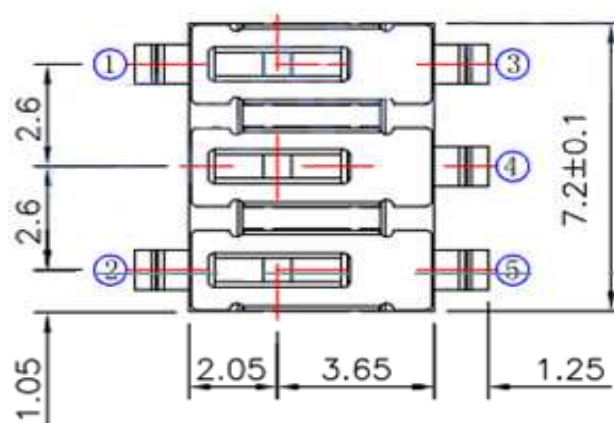
EDCON-COMPONENTS



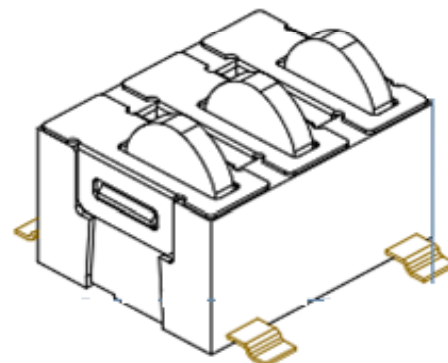
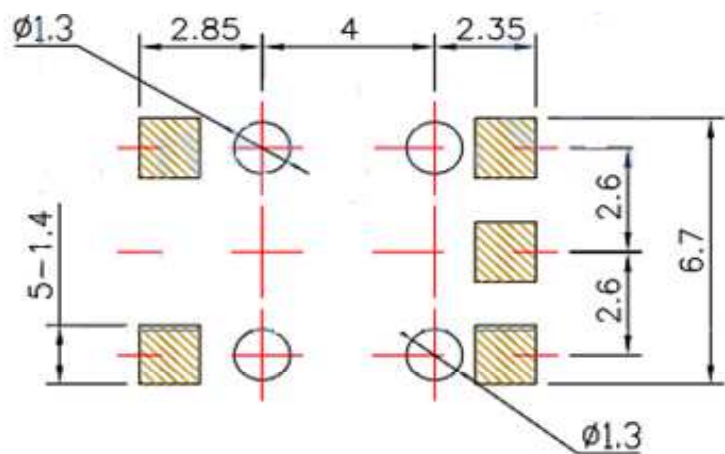
SPECIFICATION:

Voltage Rating: 5VDC
 Current Rating: 100mA ~ 1mA
 Mechanical Life: 500000 cycles
 Contact Resistance: <100m Ω max. (initial)
 Insulation Resistance: >100M Ω min. 500VDC
 Dielectric Strength: 100VAC/1min.
 Operating Temperature: -10°C ~ +60°C
 Operating Force: <0,3N (31gr f)

Drawing / Dimensions (mm)



PCB-Layout TOP VIEW



Tolerances unless otherwise specified (mm)				
x	x.X	x.XX	x.XXX	Angle
±	±	±	±	±3°
DRW:	Jason	CHKD	Wilson	MATL:
APPD:	Schumi			FINISH
				Wilson
				Jamy
				Mason
				DATE
				18.04.2021
				Sheet No.
				1 from 4

SMT Detector Switch

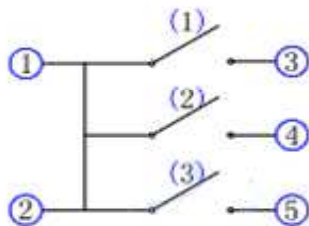
Part No.: **Q22065**

Customer:

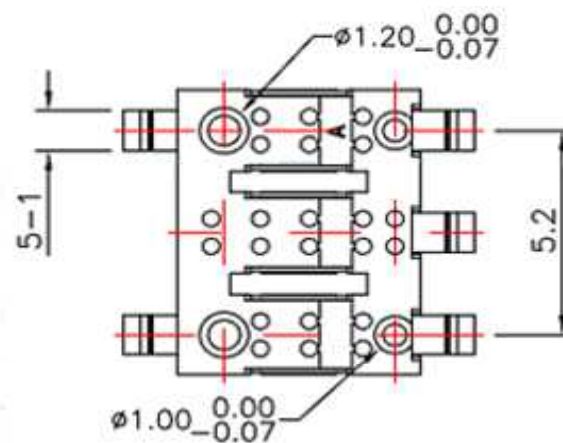
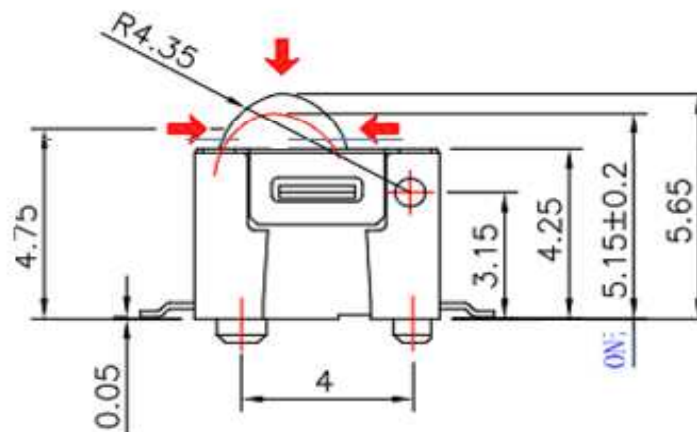
EDCON-COMPONENTS



Circuit



Drawing / Dimensions (mm)



SMT Detector Switch

Part No.: **Q22065**
Customer:

DRW:	Jason	CHKD	Wilson	MATL:	Wilson	TOLERANCE	Mason	DATE	18.04.2021
APPD:	Schumi			FINISH	Jamy		Sheet No.	2 from 4	

EDCON-COMPONENTS



Ordering Informations

Serie	Total height w. Body	Fill with 0	Operating Force	Polarisation Peg	Electrical life	Cap Option	Cap Colour	Special function	ROHS	Packing
Q22065	043	X	030	Y	503	N	N	N	R	TR

050 = 5,0mm	X = no function	251 = 250gr	N = without Peg	503 = 50000 Cycles	N = No Cap option	N = No Cap Option	N = No Function	N = Non ROHS	TR = Tape/Reel Packing
			Y = with Peg					R = ROHS conform	TU = Tube Packing
									BU = Bulk Ware

SMT Detector Switch

Part No.: **Q22065**

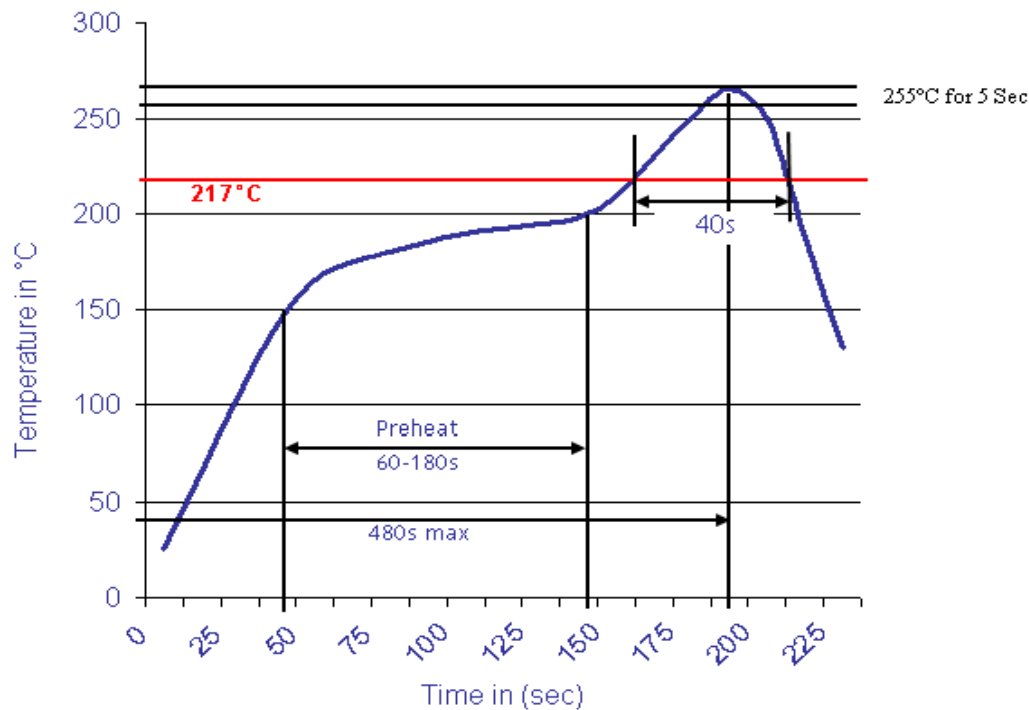
DRW:	Jason	CHKD	Wilson	MATL:	Wilson	TOLERANCE	Mason	DATE	18.04.2021
APPD:	Schumi			FINISH	Jamy		Sheet No.		3 from 4

Customer:



Soldering Profile Lead Free Curve

Classification Reflow Profile (JEDEC J-STD-020C)



SMT Detector Switch

Part No.: **Q22065**

Customer:

DRW:	Jason	CHKD	Wilson	MATL:	Wilson	TOLERANCE	Mason	DATE	18.04.2021
APPD:	Schumi			FINISH	Jamy		Sheet No.	4 from 4	