

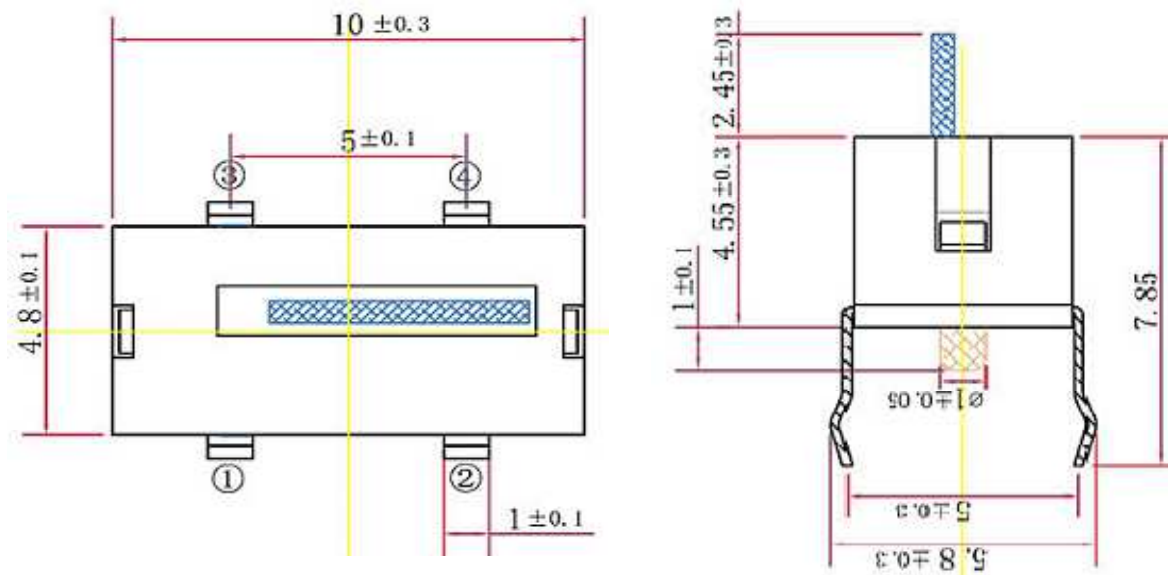
EDCON-COMPONENTS



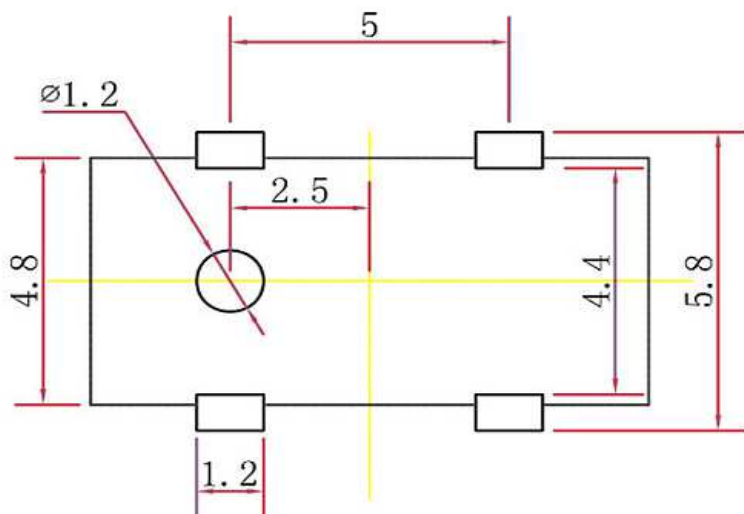
SPECIFICATION:

Voltage Rating: 12VDC
 Current Rating: 50mA
 Mechanical Life: 500000 cycles
 Contact Resistance: <math><200\text{m } \Omega \text{ max. (initial)}</math>
 Insulation Resistance: >100M Ω min. 500VDC
 Dielectric Strength: 100VAC/1min.
 Operating Temperature: $-10^{\circ}\text{C} \sim +60^{\circ}\text{C}$
 Operating Force: look Ordering Code

Drawing / Dimensions (mm)



PCB-Layout TOP VIEW



Tolerances unless otherwise specified (mm)									
x	x.x	x.xx	x.xxx	Angle					
±	±	±	±	±3°					
DRW:	Jason	CHKD	Wilson	MATL:	Wilson	TOLERANCE	Mason	DATE	18.04.2021
APPD:	Schumi			FINISH	Jamy		Sheet No.		1 from 4

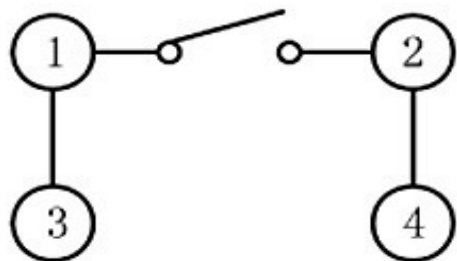
THT Detector Switch

Part No.: **Q21022**

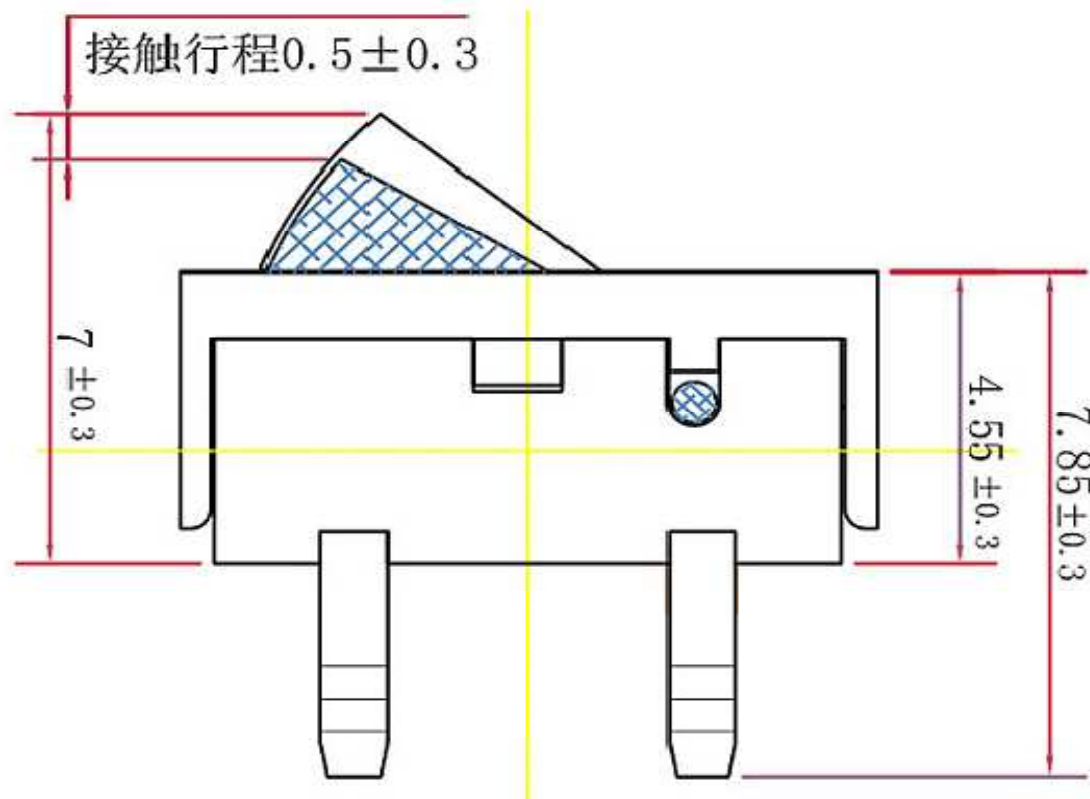
Customer:



Circuit



Drawing / Dimensions (mm)



THT Detector Switch	
Part No.:	Q21022
Customer:	

DRW:	Jason	CHKD	Wilson	MATL:	Wilson	TOLERANCE	Mason	DATE	18.04.2021
APPD:	Schumi			FINISH	Jamy		Sheet No.	2 from 4	

EDCON-COMPONENTS



Ordering Informations

Serie	Total height w. Body	Fill with 0	Operating Force	Polarisation Peg	Electrical life	Cap Option	Cap Colour	Special function	ROHS	Packing
Q21022	045	X	101	Y	503	N	N	N	R	TR

045 = 4,5mm	X = no function	101 = 100gr	N = without Peg	503 = 50000 Cycles	N = No Cap option	N = No Cap Option	N = No Function	N = Non ROHS	TR = Tape/Reel Packing
			Y = with Peg					R = ROHS conform	TU = Tube Packing
									BU = Bulk Ware

THT Detector Switch

Part No.: **Q21022**

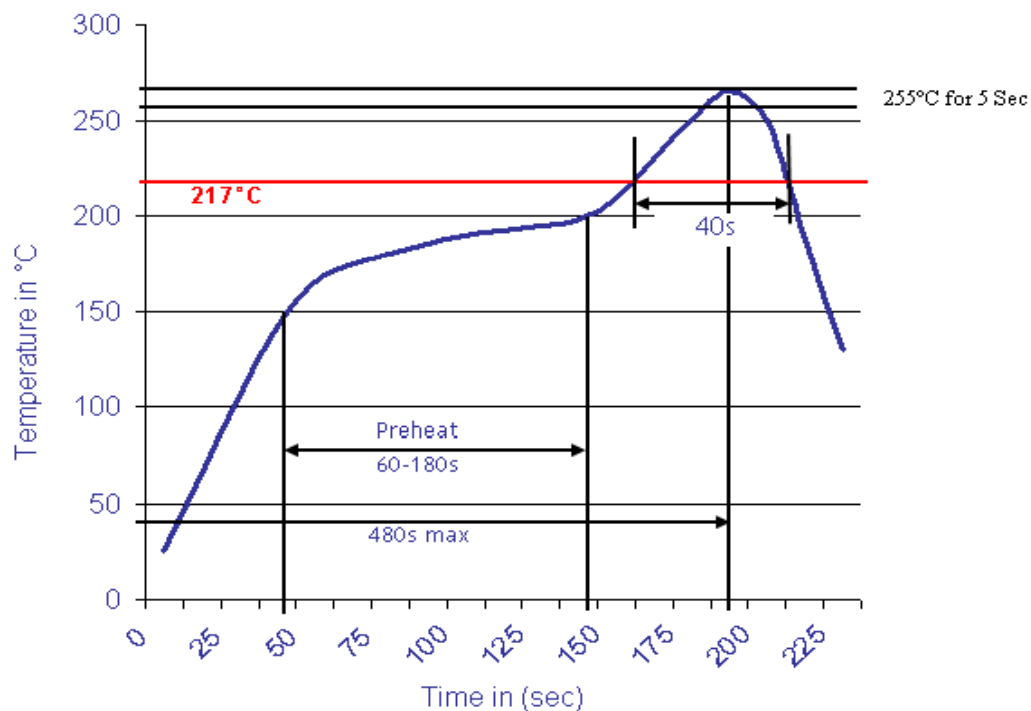
DRW:	Jason	CHKD	Wilson	MATL:	Wilson	TOLERANCE	Mason	DATE	18.04.2021
APPD:	Schumi			FINISH	Jamy		Sheet No.		3 from 4

Customer:



Soldering Profile Lead Free Curve

Classification Reflow Profile (JEDEC J-STD-020C)



THT Detector Switch

Part No.: **Q21022**

Customer:

DRW:	Jason	CHKD	Wilson	MATL:	Wilson	TOLERANCE	Mason	DATE	18.04.2021
APPD:	Schumi			FINISH	Jamy		Sheet No.	4 from 4	