

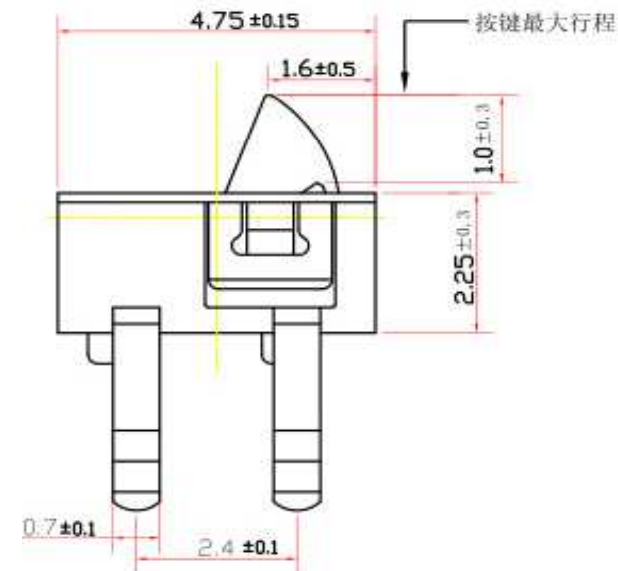
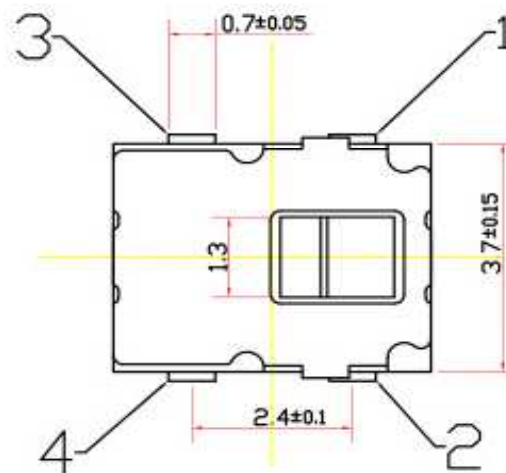
EDCON-COMPONENTS



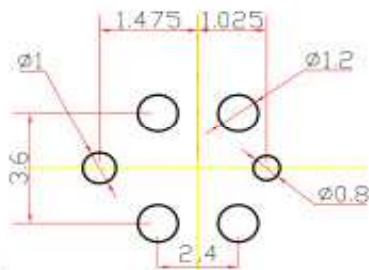
SPECIFICATION:

Voltage Rating:	12VDC
Current Rating:	50mA
Mechanical Life:	500000 cycles
Contact Resistance:	<200m Ω max. (initial)
Insulation Resistance:	>100M Ω min. 500VDC
Dielectric Strength:	100VAC/1min.
Operating Temperature:	.-10°C ~ +60°C
Operating Force:	look Ordering Code

Drawing / Dimensions (mm)



PCB-Layout TOP VIEW



Tolerances unless otherwise specified (mm)									
x	x.X	x.XX	x.XXX	Angle					
±	±	±	±	±3°					
DRW:	Jason	CHKD	Wilson	MATL:	Wilson	TOLERANCE	Mason	DATE	18.04.2021
APPD:	Schumi			FINISH	Jamy		Sheet No.		1 from 4

THT Detector Switch

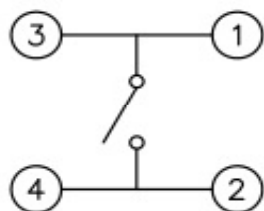
Part No.: **Q21021**

Customer:

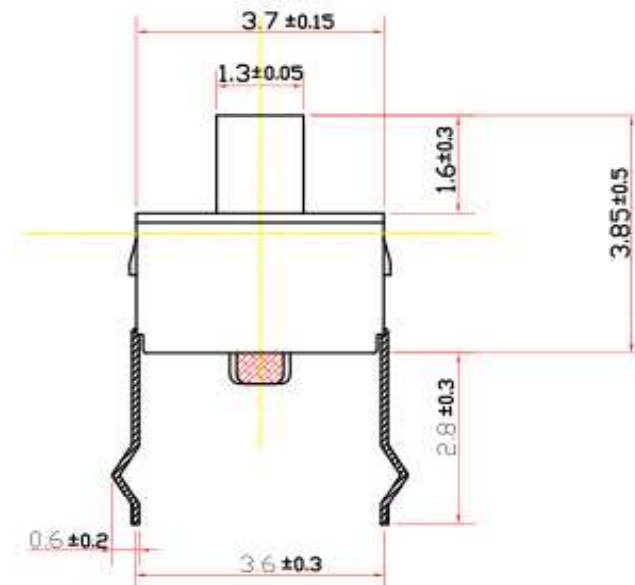
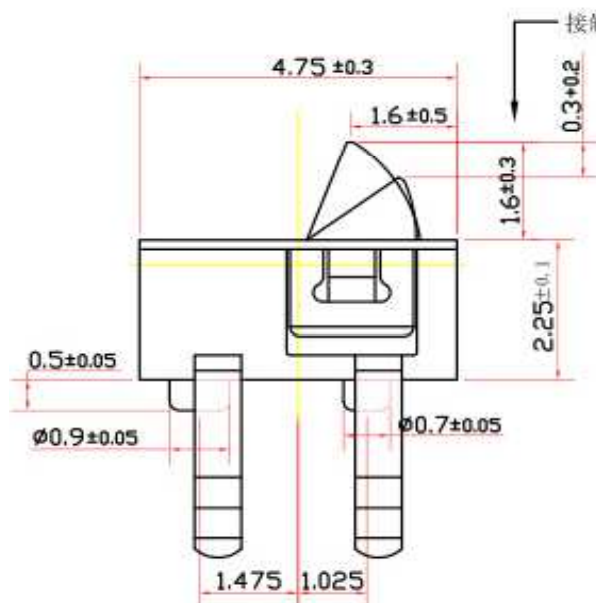
EDCON-COMPONENTS



Circuit



Drawing / Dimensions (mm)



THT Detector Switch

Part No.: **Q21021**

DRW:	Jason	CHKD	Wilson	MATL:	Wilson	TOLERANCE	Mason	DATE	18.04.2021
APPD:	Schumi			FINISH	Jamy		Sheet No.	2 from 4	Customer:

www.edcon-components.com

email: info@edcon-components.com

EDCON-COMPONENTS



Ordering Informations

Serie	Total height w. Body	Fill with 0	Operating Force	Polarisation Peg	Electrical life	Cap Option	Cap Colour	Special function	ROHS	Packing
Q21021	022	X	050	Y	503	N	N	N	R	TR

050= 5,0mm	X= no function	050= 50gr	N= without Peg	503= 50000 Cycles	N= No Cap option	N= No Cap Option	N= No Function	N= Non ROHS	TR = Tape/Reel Packing
			Y= with Peg					R= ROHS conform	TU= Tube Packing
									BU= Bulk Ware

THT Detector Switch

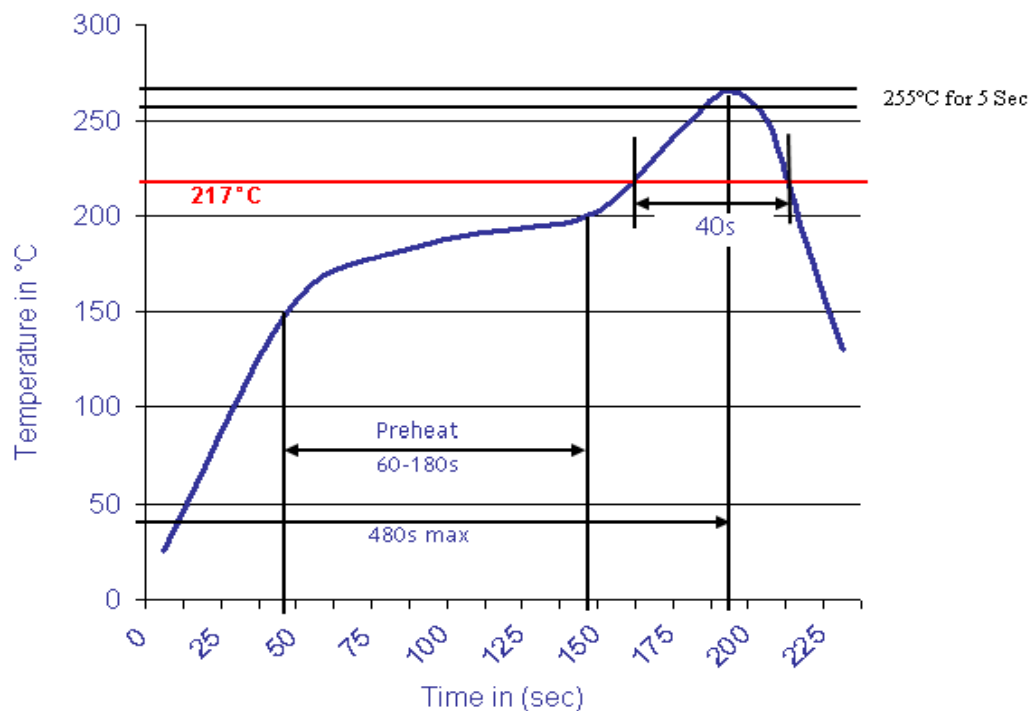
Part No.: **Q21021**

DRW:	Jason	CHKD	Wilson	MATL:	Wilson	TOLERANCE	Mason	DATE	18.04.2021
APPD:	Schumi			FINISH	Jamy		Sheet No.	3 from 4	Customer:



Soldering Profile Lead Free Curve

Classification Reflow Profile (JEDEC J-STD-020C)



THT Detector Switch

Part No.: **Q21021**

DRW:	Jason	CHKD	Wilson	MATL:	Wilson	TOLERANCE	Mason	DATE	18.04.2021
APPD:	Schumi			FINISH	Jamy		Sheet No.	4 from 4	Customer: