

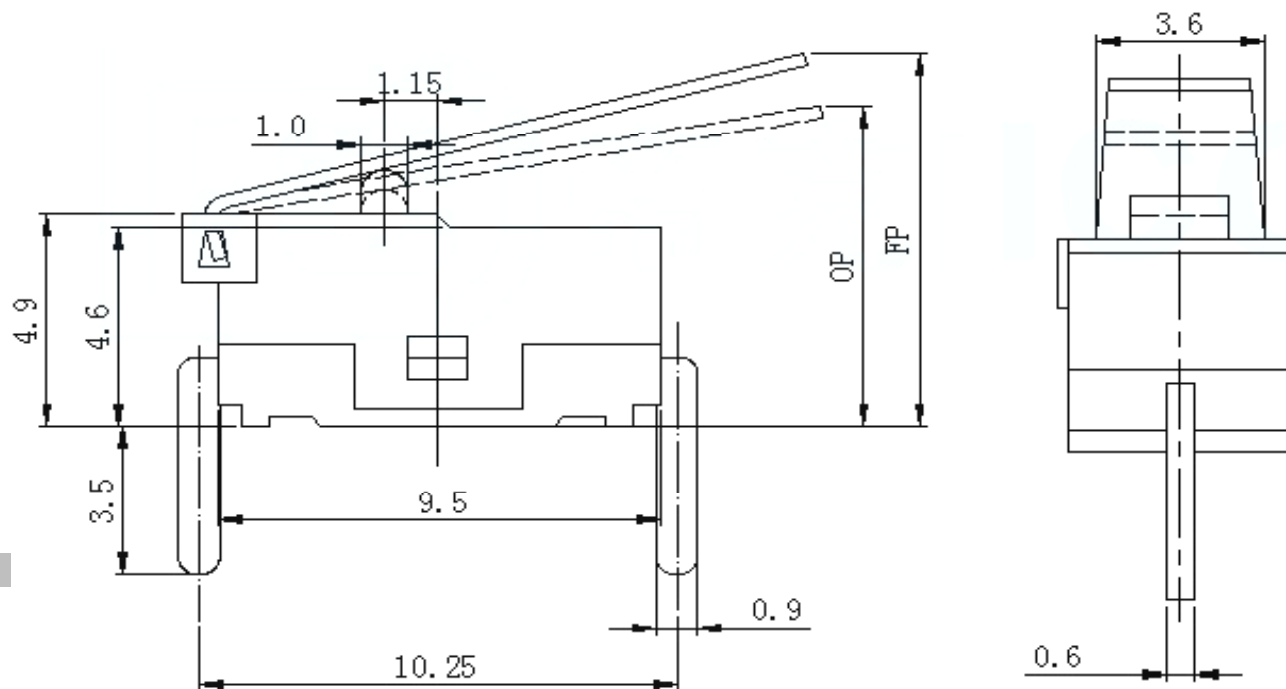
# EDCON-COMPONENTS



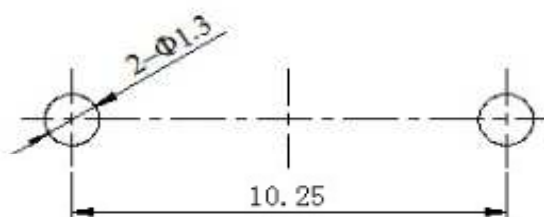
## SPECIFICATION:

|                         |                               |
|-------------------------|-------------------------------|
| Rated Voltage:          | DC48V / AC125V                |
| Rated Current:          | 0,1A / 0,1A                   |
| Contact Resistance:     | ≤ 300mΩ                       |
| Operating Force:        | 70gr +/- 20gf / 30gr +/- 15gf |
| Resilience:             | RF                            |
| Free Position:(FP)      | 8,0 ± 0,8mm                   |
| Action Position:(OP)    | 6,7 ± 0,8mm                   |
| Return Position (RP)    |                               |
| Stroke:                 | PT                            |
| Sensitivity:            | BT ≤5ms                       |
| Mechanical:             |                               |
| Mechanical Life:        | 1.000.000 cycles,             |
| Electrical Life:        | 10.000 cycles,                |
| Applicable Temperature: | -15°C + 55°C                  |
| Insulation Resistance:  | ≥100MΩ DC250V                 |
|                         | Applicable Humidity <85% RH   |
| Withstanding Voltage:   | AC 250V 1 minute              |

## Drawing / Dimension (mm)



## PCB-Layout



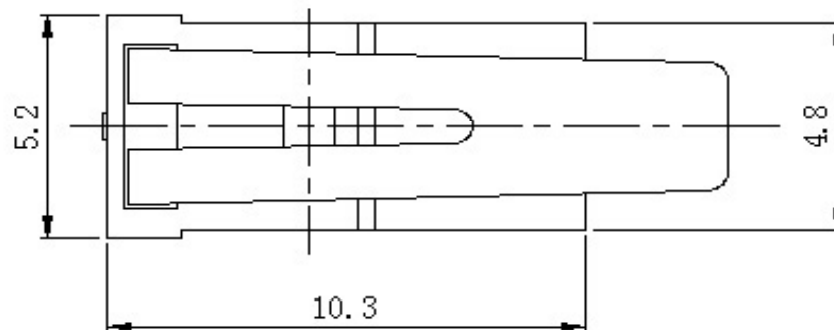
| Tolerances unless otherwise specified (mm) |        |      |        |           |
|--|--------|------|--------|-----------|
| x  | x.x    | x.xx | x.xxx  | Angle     |
| ±  | ±      | ±    | ±      | ±3°       |
| DRW:                                       | Jason  | CHKD | Wilson | MATL:     |
| APPD:                                      | Schumi |      |        | FINISH    |
|  |        |      |        | DATE      |
|  |        |      |        | Sheet No. |
|  |        |      |        | 1 from 5  |

|                     |               |
|---------------------|---------------|
| <b>Mikro SWITCH</b> |               |
| <b>10,3x5,2mm</b>   |               |
| Part No.:           | <b>Q19065</b> |
| Customer:           |               |

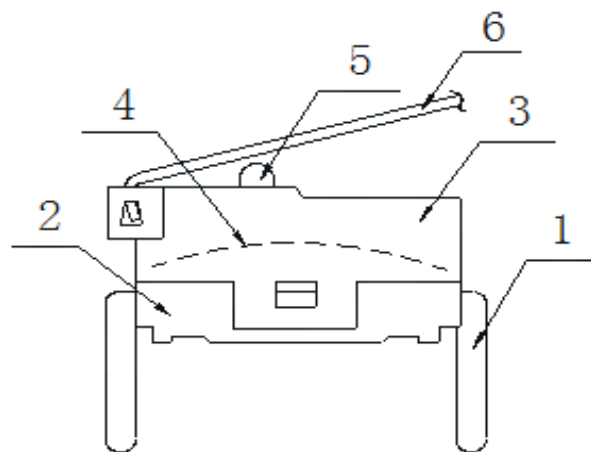
# EDCON-COMPONENTS



## Technical Dimensions (mm)



## Structure Chart



- |     |                |
|-----|----------------|
| NO. | 品名             |
| 1   | Terminal端子     |
| 2   | Base底座         |
| 3   | Case盖片         |
| 4   | Spring Plate弹片 |
| 5   | Button按钮       |
| 6   | Lever压柄        |

|  |               |
|--|---------------|
| <b>Mikro SWITCH</b><br><b>10,3x5,2mm</b> |               |
| Part No.:                                | <b>Q19065</b> |
| Customer:                                |               |

|       |        |      |        |        |        |           |           |      |            |
|-------|--------|------|--------|--------|--------|-----------|-----------|------|------------|
| DRW:  | Jason  | CHKD | Wilson | MATL:  | Wilson | TOLERANCE | Mason     | DATE | 14.11.2021 |
| APPD: | Schumi |      |        | FINISH | Jamy   |           | Sheet No. |      | 3 from 5   |

# EDCON-COMPONENTS



## Ordering Informations

| Serie         | Switch Type | Lever Style Code (Ax) | Operating force (Bx) | Special function | Special function | ROHS     | Packing   |
|---------------|-------------|-----------------------|----------------------|------------------|------------------|----------|-----------|
| <b>Q19065</b> | <b>1</b>    | <b>A0</b>             | <b>Bx</b>            | <b>C0</b>        | <b>D0</b>        | <b>R</b> | <b>BU</b> |

|                        |  |                 |                        |                        |                        |                               |
|------------------------|--|-----------------|------------------------|------------------------|------------------------|-------------------------------|
| 1= 0,1A/ DC48 / AC125V |  | <b>B0= 70gr</b> | <b>C0= No function</b> | <b>D0= No function</b> | <b>R= ROHS conform</b> | <b>BU= Bulk Ware</b>          |
|                        |  | <b>B1= 30gr</b> |                        |                        | <b>N= Non ROHS</b>     | <b>TY= Tray Packing</b>       |
|                        |  |                 |                        |                        |                        |                               |
|                        |  |                 |                        |                        |                        |                               |
|                        |  |                 |                        |                        |                        | <b>IV= Individual Packing</b> |
|                        |  |                 |                        |                        |                        |                               |
|                        |  |                 |                        |                        |                        |                               |
|                        |  |                 |                        |                        |                        |                               |

| Order Code | Operating Force (gf) |       |
|------------|----------------------|-------|
|            | OF                   |       |
| <b>B0</b>  | 70                   | ±20gf |
| <b>B1</b>  | 30                   | ±15gf |
|            |                      |       |
|            |                      |       |
|            |                      |       |

|                                    |               |
|------------------------------------|---------------|
| <b>Mikro SWITCH<br/>10,3x5,2mm</b> |               |
| Part No.:                          | <b>Q19065</b> |
| Customer:                          |               |

|       |        |      |        |        |        |           |           |      |            |
|-------|--------|------|--------|--------|--------|-----------|-----------|------|------------|
| DRW:  | Jason  | CHKD | Wilson | MATL:  | Wilson | TOLERANCE | Mason     | DATE | 14.11.2021 |
| APPD: | Schumi |      |        | FINISH | Jamy   |           | Sheet No. |      | 4 from 5   |



Soldering Profile for Lead Free Soldering

Soldering Profile for Reflow Soldering

Classification Reflow Profile (JEDEC J-STD-020C)



|                     |               |
|---------------------|---------------|
| <b>Mikro SWITCH</b> |               |
| <b>10,3x5,2mm</b>   |               |
| Part No.:           | <b>Q19065</b> |
| Customer:           |               |

|       |        |       |        |         |        |            |           |       |            |
|-------|--------|-------|--------|---------|--------|------------|-----------|-------|------------|
| DRW:  | Jason  | CHKD: | Wilson | MATL:   | Wilson | TOLERANCE: | Mason     | DATE: | 14.11.2021 |
| APPD: | Schumi |       |        | FINISH: | Jamy   |            | Sheet No. |       | 5 from 5   |