

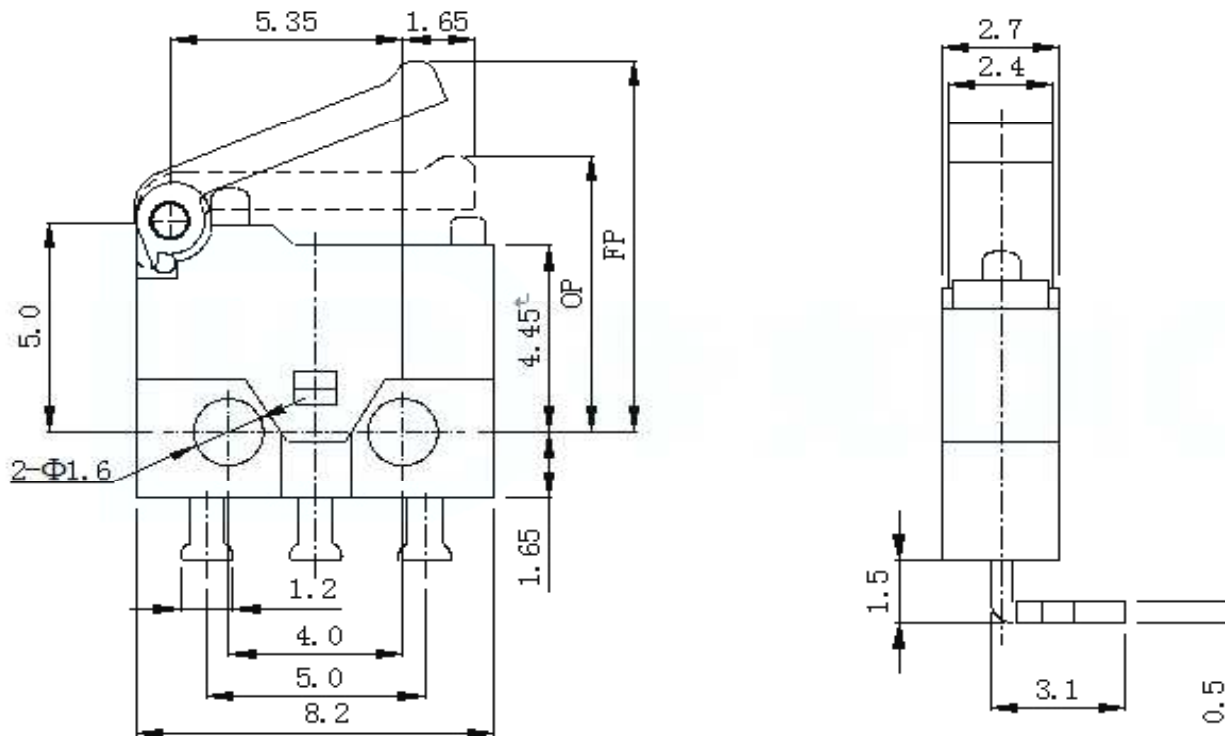
# EDCON-COMPONENTS



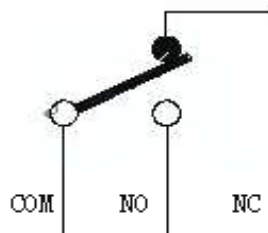
## SPECIFICATION:

Rated Voltage:	DC6V
Rated Current:	0,3A
Contact Resistance:	≤ 50mΩ
Operating Force:	10 ~60gr
Resilience:	RF
Free Position:(FP)	7,5 ± 0,5mm
Action Position:(OP)	6,7 ± 0,5mm
Return Position (RP)	
Stroke:	PT
Sensitivity:	BT ≤5ms
Mechanical:	
Mechanical Life:	100.000 cycles,
Electrical Life:	50.000 cycles,
Applicable Temperature:	.-25°C + 80°C
Insulation Resistance:	≥100MΩ DC250V
	Applicable Humidity <85% RH
Withstanding Voltage:	AC 250V 1 minute

## Drawing / Dimension (mm)



## SCHEMATIC



Tolerances unless otherwise specified (mm)				
x	x.x	x.xx	x.xxx	Angle
±	±	±	±	±3°

**Mikro SWITCH 8,2x6,5mm**

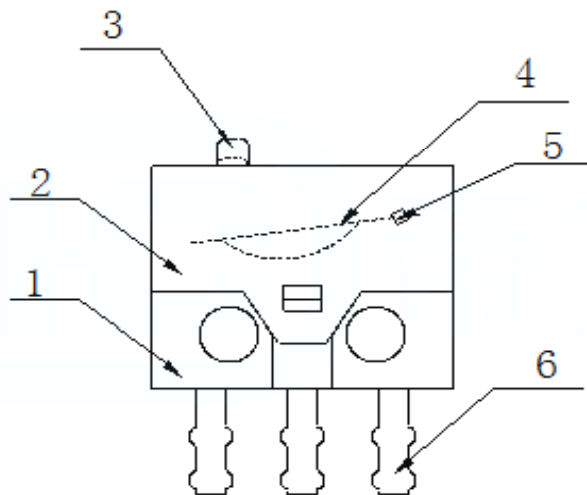
Part No.: **Q19056**

DRW:	Jason	CHKD	Wilson	MATL:	Wilson	TOLERANCE	Mason	DATE	14.11.2021
APPD:	Schumi			FINISH	Jamy		Sheet No.		1 from 5

Customer:



## Structure Chart



NO.	品名
1	Base底座
2	Case上盖
3	Button按钮
4	Spring Plate弹片
5	Contact接点
6	Terminal端子

**Mikro SWITCH 8,2x6,5mm**

Part No.: **Q19056**

Customer:

DRW:	Jason	CHKD	Wilson	MATL:	Wilson	TOLERANCE	Mason	DATE	14.11.2021
APPD:	Schumi			FINISH	Jamy		Sheet No.		3 from 5

# EDCON-COMPONENTS



## Ordering Informations

Serie	Switch Type	Lever Style Code (Ax)	Operating force (Bx)	Special function	Special function	ROHS	Packing
<b>Q19056</b>	<b>1</b>	<b>A0</b>	<b>Bx</b>	<b>C0</b>	<b>D0</b>	<b>R</b>	<b>BU</b>

1= 0,3A/ DC6		<b>B0= 60gr</b>	<b>C0= No function</b>	<b>D0= No function</b>	<b>R= ROHS conform</b>	<b>BU= Bulk Ware</b>
		<b>B1= 30gr</b>			<b>N= Non ROHS</b>	<b>TY= Tray Packing</b>
						<b>IV= Individual Packing</b>

Order Code	Operating Force (gf)	
	OF	
<b>B0</b>	60	±25gf
<b>B1</b>	30	±15gf

**Mikro SWITCH 8,2x6,5mm**

Part No.: **Q19056**

Customer:

DRW:	Jason	CHKD	Wilson	MATL:	Wilson	TOLERANCE	Mason	DATE	14.11.2021
APPD:	Schumi			FINISH	Jamy		Sheet No.		4 from 5



Soldering Profile for Lead Free Soldering

Soldering Profile for Reflow Soldering

## Classification Reflow Profile (JEDEC J-STD-020C)



**Mikro SWITCH 8,2x6,5mm**

Part No.: **Q19056**

Customer:

DRW:	Jason	CHKD	Wilson	MATL:	Wilson	TOLERANCE	Mason	DATE	14.11.2021
APPD:	Schumi			FINISH	Jamy		Sheet No.	5 from 5	