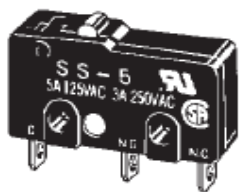


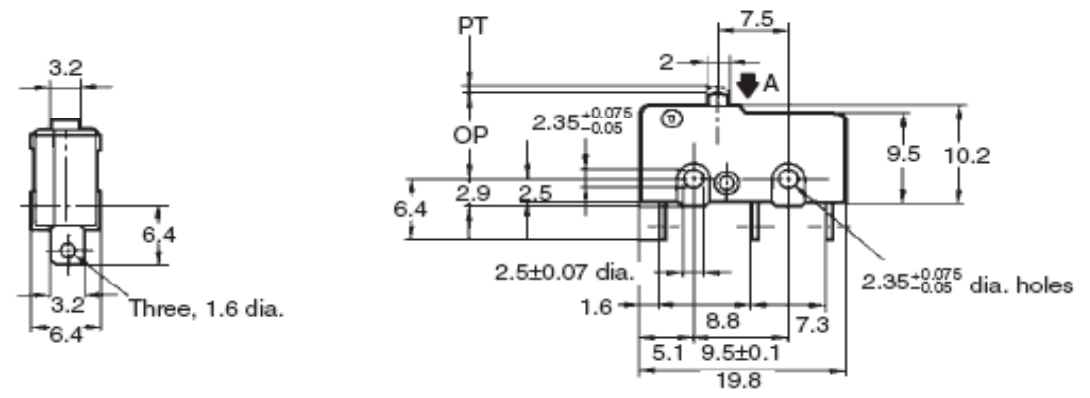
EDCON-COMPONENTS



SPECIFICATION:

Operating Force	50gr
Contact Rating	10A
Rated Voltage	250VAC
Contact Material	Silver Alloy
Degree of Protection	IP40
Mechanical Lifetime:	10 Million Operation min at 60 Operations per Minute
Electrical Lifetime	50000 Operation min at 30 Operations per Minute
Operating Temperature:	-.25°C to +85°C at 60% RH
Insulation Resistance:	100MΩ at 500VDC
Ambient Humidity Temp.	85% max, (for 5°C to 35°C)

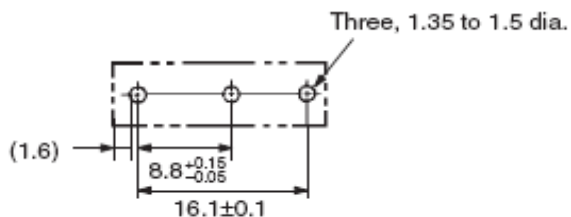
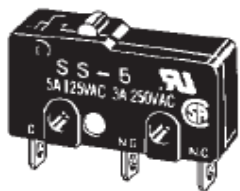
Technical Explanation



Micro Switch Type 19,8x10,2x6,4mm
Part No.: Q19049
Customer:

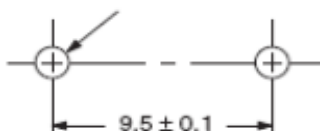
DRW:	Jason	CHKD	Wilson	MATL:	Wilson	TOLERANCE	Mason	DATE	09.08.2017
APPD:	Schumi			FINISH	Jamy		Sheet No.	1 from 6	

EDCON-COMPONENTS

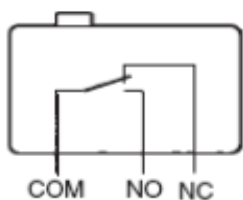


PCB Layout

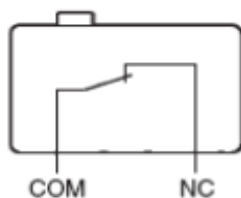
Two 2,4-diam. Mounting holes of M2,3 screw holes



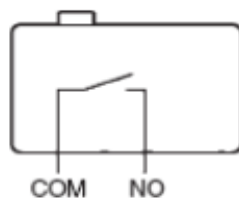
Panel Mounting



A=Contact Form SPDT



B= Contact Form SPST-NC

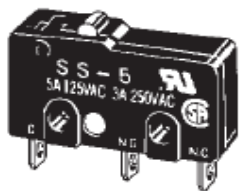


C=Contact Form SPST-NO

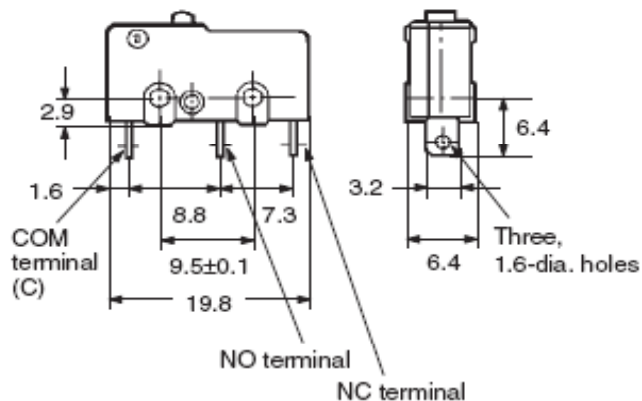
Micro Switch Type 19,8x10,2x6,4mm	
Part No.:	Q19049
Customer:	

DRW:	Jason	CHKD	Wilson	MATL:	Wilson	TOLERANCE	Mason	DATE	09.08.2017
APPD:	Schumi			FINISH	Jamy		Sheet No.	2 from 6	

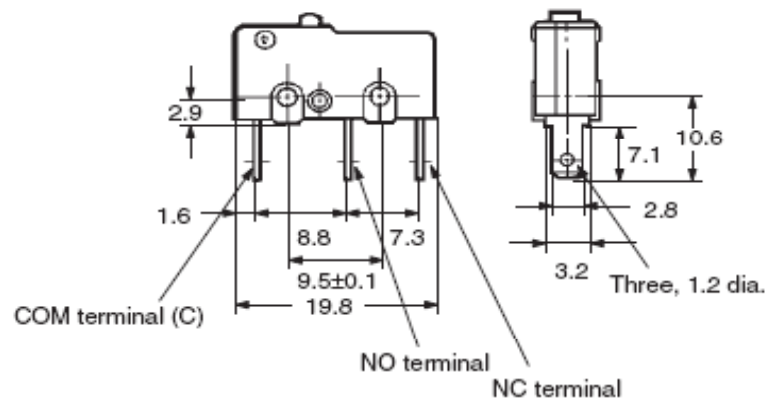
EDCON-COMPONENTS



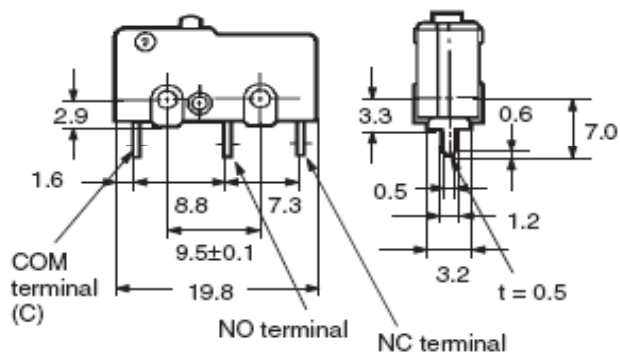
Terminal Styles



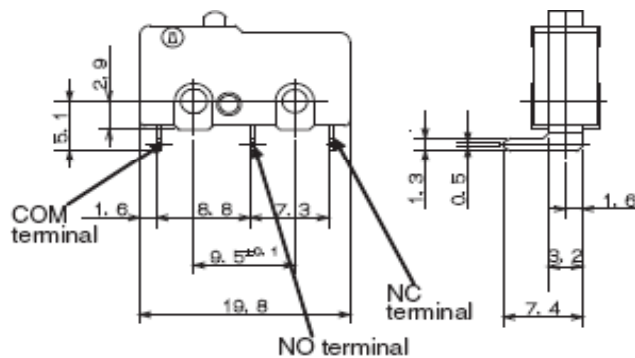
Type 1



Type 2



Type 3

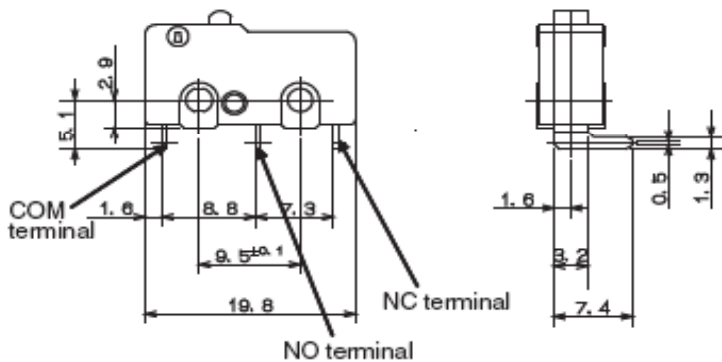
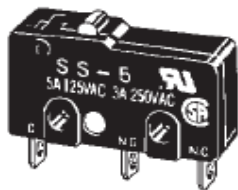


Type 4

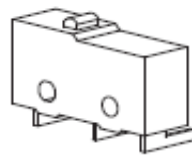
Micro Switch Type 19,8x10,2x6,4mm	
Part No.:	Q19049
Customer:	

DRW:	Jason	CHKD	Wilson	MATL:	Wilson	TOLERANCE	Mason	DATE	09.08.2017
APPD:	Schumi			FINISH	Jamy		Sheet No.		3 from 6

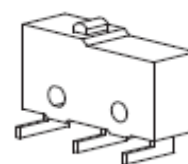
EDCON-COMPONENTS



Type 5



Right-Angle Type

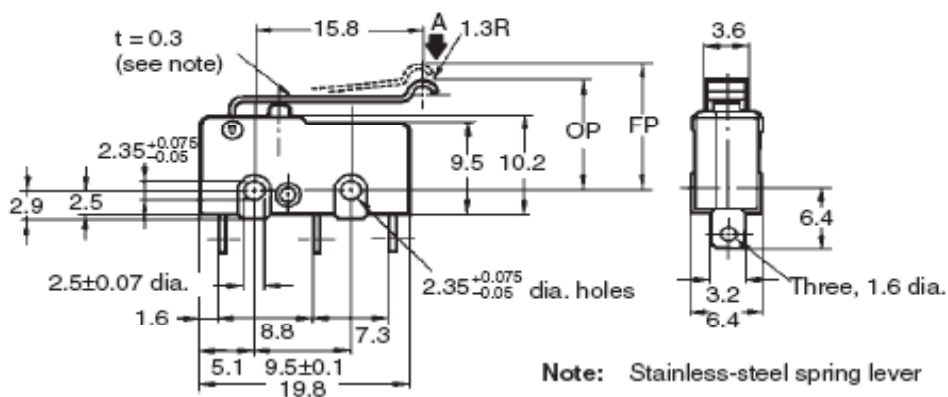
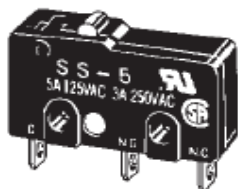


Left-Angle Type

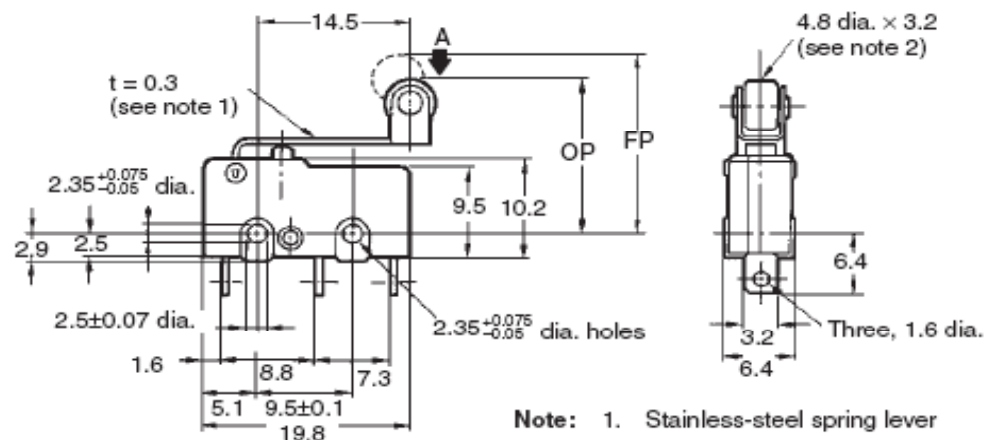
Micro Switch Type 19,8x10,2x6,4mm	
Part No.:	Q19049
Customer:	

DRW:	Jason	CHKD	Wilson	MATL:	Wilson	TOLERANCE	Mason	DATE	09.08.2017
APPD:	Schumi			FINISH	Jamy		Sheet No.	4 from 6	

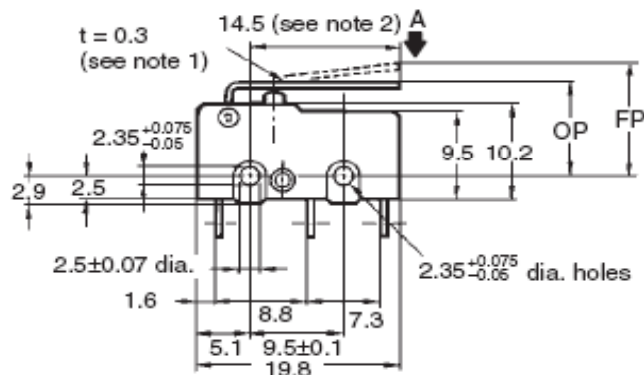
EDCON-COMPONENTS



Lever Type 01



Lever Type 03

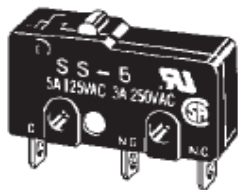


Lever Type 02

Micro Switch Type 19,8x10,2x6,4mm	
Part No.:	Q19049
Customer:	

DRW:	Jason	CHKD	Wilson	MATL:	Wilson	TOLERANCE	Mason	DATE	09.08.2017
APPD:	Schumi			FINISH	Jamy		Sheet No.		5 from 6

EDCON-COMPONENTS



Ordering Informations

Serie	Terminal Style	Operating Force	Current Rating	Electrical life	Contact Form	Lever Type	ROHS	Packing		
Q19049	1	070	A	106	1	00	R	TY		

1= Style 1	A =25gr	A= 0,1A/30VDC	106= 10000000 Cycles	A= SPDT	00= without Lever	N= Non ROHS	BU= Bulk Ware
2= Style 2	A= 50gr	B= 5A/125VAC		B= SPST-NC	01= Lever Type 01	R= ROHS conform	TY= Tray Packing
3= Style 3	C= 150gr	C= 10A/250VAC		C= SPST-NO	02= Lever Type 02		
4= Style 4					03= Lever Type 03		
5= Style 5							

Micro Switch Type 19,8x10,2x6,4mm
Part No.: Q19049
Customer:

DRW:	Jason	CHKD	Wilson	MATL:	Wilson	TOLERANCE	Mason	DATE	09.08.2017
APPD:	Schumi			FINISH	Jamy		Sheet No.		6 from 6