

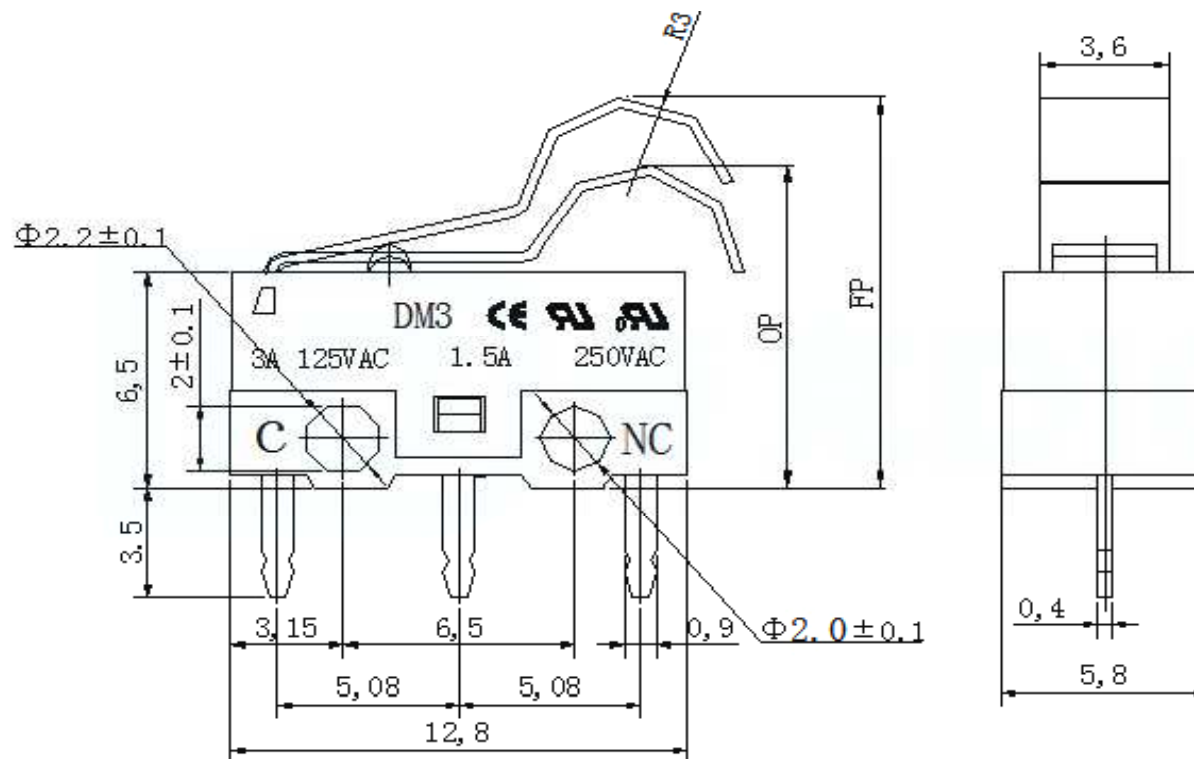
# EDCON-COMPONENTS



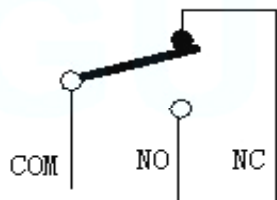
## SPECIFICATION:

Rated Voltage:	125 / 250VAC / 50mA/DC5V
Rated Current:	3A/125VAC / 1m5A/250VAC
Contact Resistance:	≤ 100mΩ / DC500V
Operating Force:	70 ± 20gf
Resilience:	RF
Free Position:(FP)	12,15 ± 0,8mm
Action Position: (OP)	10,65 ± 0,8mm
Return Position	
Stroke:	PT
Sensitivity:	BT
Mechanical:	
Mechanical Life:	1.000.000 cycles, 2,5 Welding Process Manual Welding
Electrical Life:	10.000 cycles
Applicable Temperature:	.-25°C + 85°C
Insulation Resistance:	≥100MΩ DC500V Applicable Humidity <85% RH
Withstanding Voltage:	AC 1000V 1 minute

## Drawing / Dimension (mm)



## SCHEMATIC



Tolerances unless otherwise specified (mm)				
x	x.x	x.xx	x.xxx	Angle
±	±	±	±	±3°
DRW:	Jason	CHKD	Wilson	MATL:
APPD:	Schumi			FINISH
			Wilson	TOLERANCE
			Jamy	Mason
			DATE	
			13.11.2021	
			Sheet No.	
			1 from 4	

<b>THT Mikro SWITCH</b>	
<b>12,8x6,5mm</b>	
Part No.:	<b>Q19038</b>
Customer:	

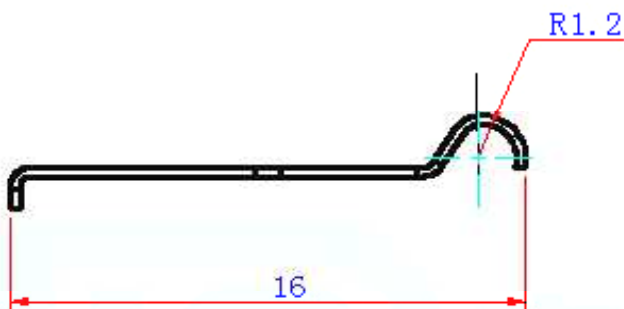
# EDCON-COMPONENTS



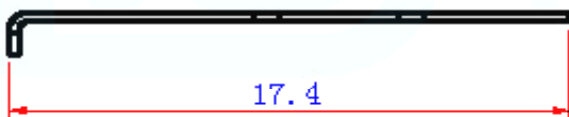
## Lever Style (Ax)



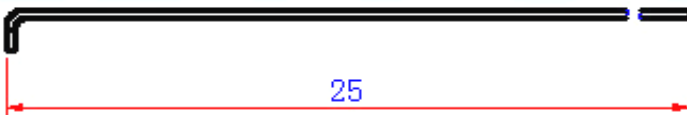
Order Code = A1



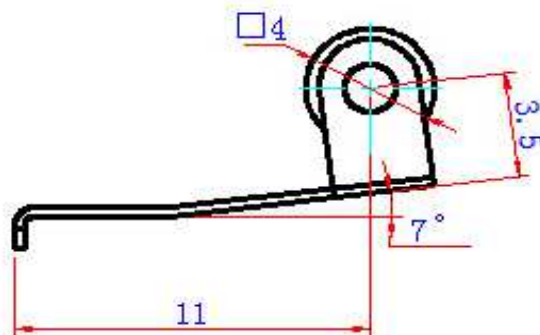
Order Code = A2



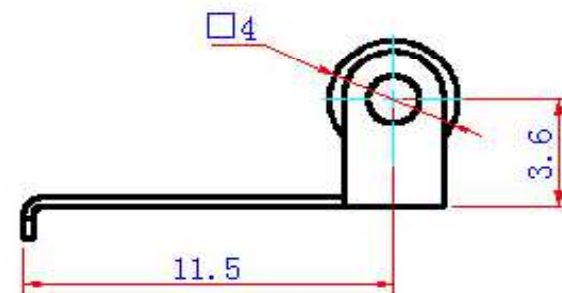
Order Code = A3



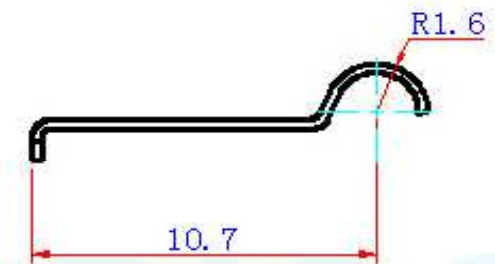
Order Code = A4



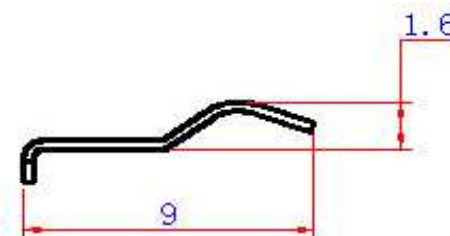
Order Code = A5



Order Code = A6



Order Code = A7



Order Code = A8

Order Code	Operating Force (gf)	
	BT	PT
B0	70	130
B1	20	40
B2	20	40
B3	20	30

**THT Mikro SWITCH**  
12,8x6,5mm

Part No.: **Q19038**

DRW:	Jason	CHKD	Wilson	MATL:	Wilson	TOLERANCE	Mason	DATE	13.11.2021
APPD:	Schumi			FINISH	Jamy		Sheet No.		2 from 4

Customer:

# EDCON-COMPONENTS



## Ordering Informations

Serie	Switch Type	Lever Style Code (Ax)	Operating force (Bx)	Special function	Special function	ROHS	Packing
<b>Q19038</b>	<b>1</b>	<b>A0</b>	<b>Bx</b>	<b>C0</b>	<b>D0</b>	<b>R</b>	<b>BU</b>

<b>1= 1A/125VAC / 50mA/DC5</b>	<b>A0=</b> without Lever	<b>B0=</b> 175gr	<b>C0=</b> No function	<b>D0=</b> No function	<b>R=</b> ROHS conform	<b>BU=</b> Bulk Ware
<b>3= 3A/125VAC / 1,5A/250VAC</b>	<b>A1=</b> Type A1	<b>B1=</b> 45gr			<b>N=</b> Non ROHS	<b>TY=</b> Tray Packing
	<b>A2=</b> Type A2	<b>B2=</b> 38gr				
	<b>A3=</b> Type A3	<b>B3=</b> 28gr				
	<b>A4=</b> Type A4					<b>IV=</b> Individual Packing
	<b>A5=</b> Type A5					
	<b>A6=</b> Type A6					
	<b>A7=</b> Type A7					
	<b>A8=</b> Type A8					

**THT Mikro SWITCH  
12,8x6,5mm**

Part No.: **Q19038**

DRW:	Jason	CHKD	Wilson	MATL:	Wilson	TOLERANCE	Mason	DATE	13.11.2021
APPD:	Schumi			FINISH	Jamy		Sheet No.		3 from 4

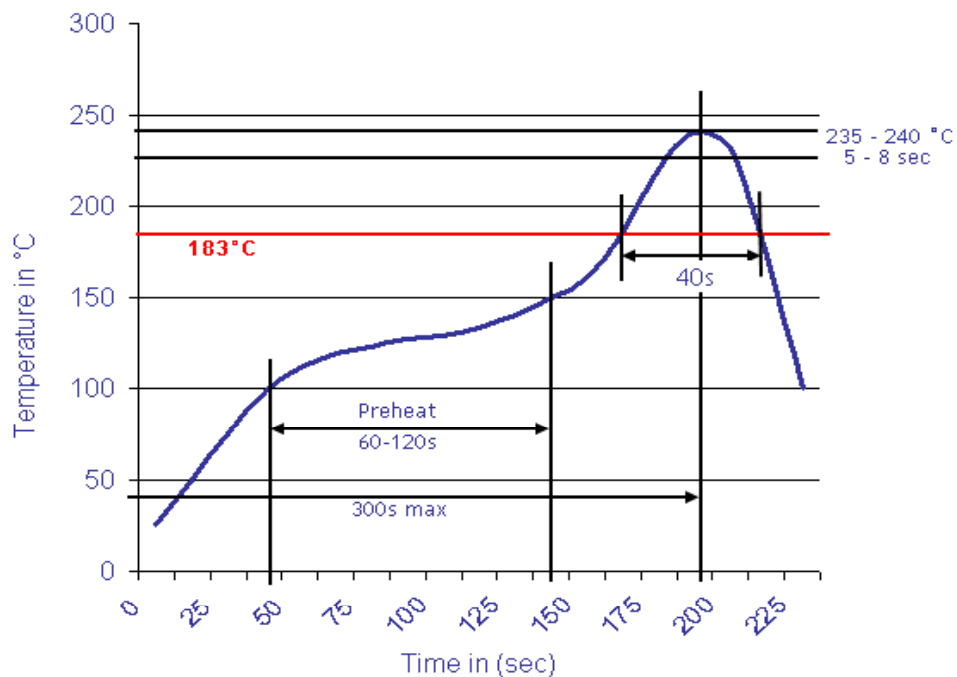
Customer:  
email: info@edcon-components.com



Soldering Profile for Lead Free Soldering

Soldering Profile for Reflow Soldering

## Classification Reflow Profile (JEDEC J-STD-020C)



**THT Mikro SWITCH  
12,8x6,5mm**

Part No.: **Q19038**

Customer:

DRW:	Jason	CHKD	Wilson	MATL:	Wilson	TOLERANCE	Mason	DATE	13.11.2021
APPD:	Schumi			FINISH	Jamy		Sheet No.	4 from 4	