

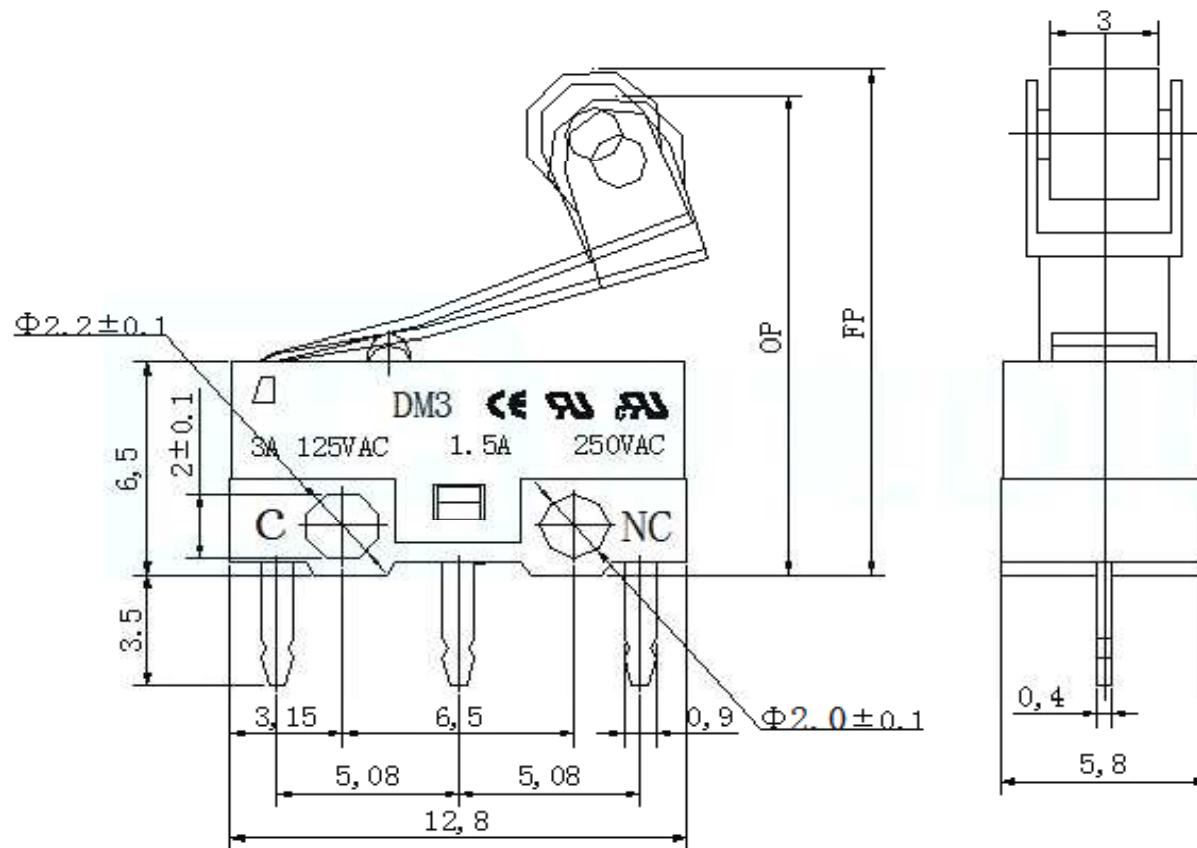
EDCON-COMPONENTS



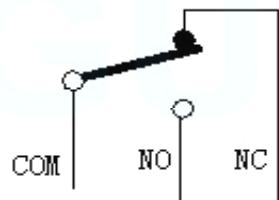
SPECIFICATION:

Rated Voltage:	125 / 250VAC / 50mA/DC5V
Rated Current:	3A/125VAC / 1m5A/250VAC
Contact Resistance:	≤ 100mΩ / DC500V
Operating Force:	70 ± 20gf
Resilience:	RF
Free Position: /FP	15,6 ± 1mm
Action Position: (OP)	14,8 ± 1mm
Return Position	
Stroke:	PT
Sensitivity:	BT
Mechanical:	
Mechanical Life:	1.000.000 cycles, 2,5 Welding Process Manual Welding
Electrical Life:	10.000 cycles
Applicable Temperature:	.-25°C + 85°C
Insulation Resistance:	≥100MΩ DC500V Applicable Humidity <85% RH
Withstanding Voltage:	AC 1000V 1 minute

Drawing / Dimension (mm)



SCHEMATIC



Tolerances unless otherwise specified (mm)				
x	x.x	x.xx	x.xxx	Angle
±	±	±	±	±3°

THT Mikro SWITCH	
12,8x6,5mm	
Part No.:	Q19037
Customer:	

DRW:	Jason	CHKD	Wilson	MATL:	Wilson	TOLERANCE	Mason	DATE	13.11.2021
APPD:	Schumi			FINISH	Jamy		Sheet No.		1 from 4

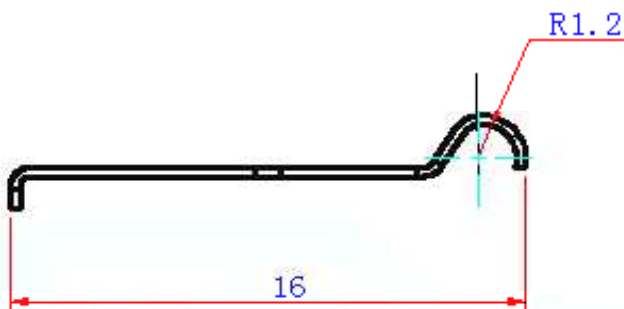
EDCON-COMPONENTS



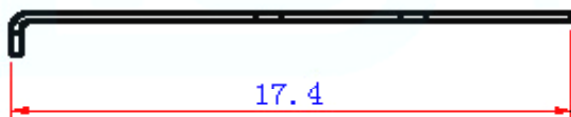
Lever Style (Ax)



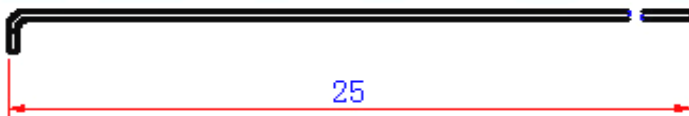
Order Code = A1



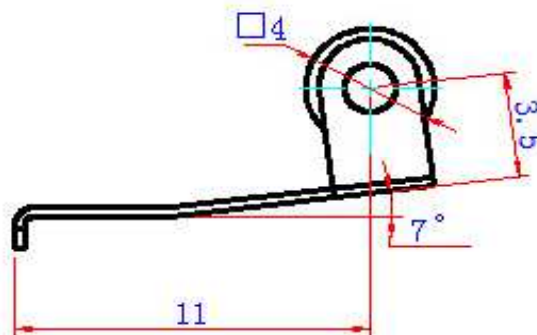
Order Code = A2



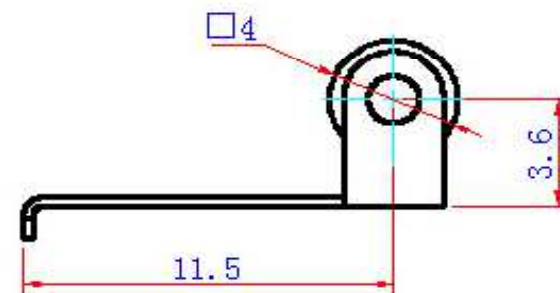
Order Code = A3



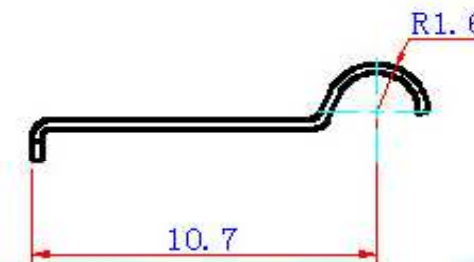
Order Code = A4



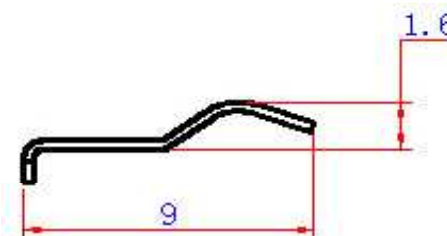
Order Code = A5



Order Code = A6



Order Code = A7



Order Code = A8

Order Code	Operating Force (gf)	
	BT	PT
B0	70	130
B1	20	40
B2	20	40
B3	20	30

THT Mikro SWITCH
12,8x6,5mm

Part No.: **Q19037**

DRW:	Jason	CHKD	Wilson	MATL:	Wilson	TOLERANCE	Mason	DATE	13.11.2021
APPD:	Schumi			FINISH	Jamy		Sheet No.		2 from 4

Customer:

EDCON-COMPONENTS



Ordering Informations

Serie	Switch Type	Lever Style Code (Ax)	Operating force (Bx)	Special function	Special function	ROHS	Packing
Q19037	1	A0	Bx	C0	D0	R	BU

1= 1A/125VAC / 50mA/DC5	A0= without Lever	B0= 175gr	C0= No function	D0= No function	R= ROHS conform	BU= Bulk Ware
3= 3A/125VAC / 1,5A/250VAC	A1= Type A1	B1= 45gr			N= Non ROHS	TY= Tray Packing
	A2= Type A2	B2= 38gr				
	A3= Type A3	B3= 28gr				
	A4= Type A4					IV= Individual Packing
	A5= Type A5					
	A6= Type A6					
	A7= Type A7					
	A8= Type A8					

**THT Mikro SWITCH
12,8x6,5mm**

Part No.: **Q19037**

DRW:	Jason	CHKD	Wilson	MATL:	Wilson	TOLERANCE	Mason	DATE	13.11.2021
APPD:	Schumi			FINISH	Jamy		Sheet No.		3 from 4

Customer:
email: info@edcon-components.com



Soldering Profile for Lead Free Soldering

Soldering Profile for Reflow Soldering

Classification Reflow Profile (JEDEC J-STD-020C)



**THT Mikro SWITCH
12,8x6,5mm**

Part No.: **Q19037**

Customer:

DRW:	Jason	CHKD	Wilson	MATL:	Wilson	TOLERANCE	Mason	DATE	13.11.2021
APPD:	Schumi			FINISH	Jamy		Sheet No.	4 from 4	