

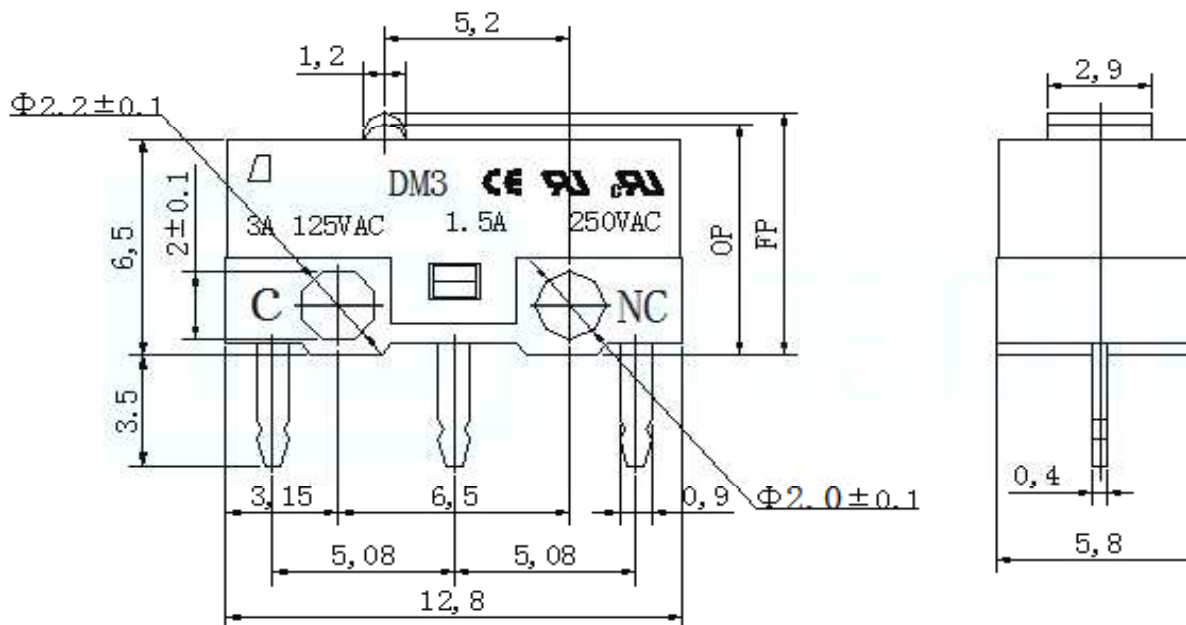
EDCON-COMPONENTS



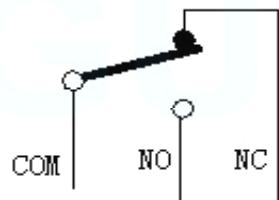
SPECIFICATION:

| | |
|-------------------------|---|
| Rated Voltage: | 125 / 250VAC / 50mA/DC5V |
| Rated Current: | 3A/125VAC / 1m5A/250VAC |
| Contact Resistance: | ≤ 100mΩ / DC500V |
| Operating Force: | 70 ± 20gf |
| Resilience: | RF |
| Free Position:(FP) | 7,35 ± 0,2mm |
| Action Position: (OP) | 7,0 ± 0,2mm |
| Return Position | |
| Stroke: | PT |
| Sensitivity: | BT |
| | |
| Mechanical: | |
| Mechanical Life: | 1.000.000 cycles, 2,5 Welding Process Manual Welding |
| Electrical Life: | 10.000 cycles |
| Applicable Temperature: | .-25°C + 85°C |
| Insulation Resistance: | ≥100MΩ DC500V Applicable Humidity <85% RH |
| Withstanding Voltage: | AC 1000V 1 minute |

Drawing / Dimension (mm)



SCHEMATIC



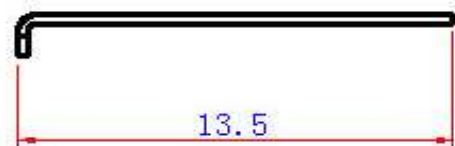
| Tolerances unless otherwise specified (mm) | | | | |
|--|--------|------|--------|-----------|
| x | x.x | x.xx | x.xxx | Angle |
| ± | ± | ± | ± | ±3° |
| DRW: | Jason | CHKD | Wilson | MATL: |
| APPD: | Schumi | | | FINISH |
| | | | | Jamy |
| | | | | Sheet No. |
| | | | | 1 from 4 |

| | |
|-------------------------|---------------|
| THT Mikro SWITCH | |
| 12,8x6,5mm | |
| Part No.: | Q19033 |
| Customer: | |

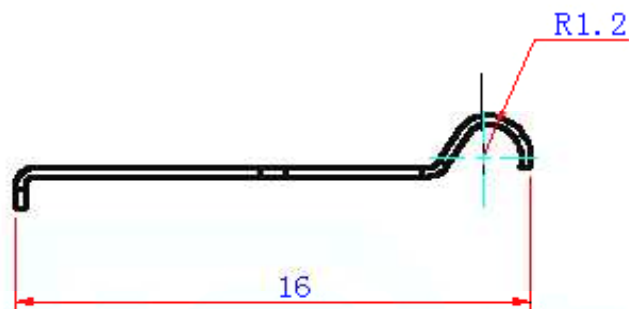
EDCON-COMPONENTS



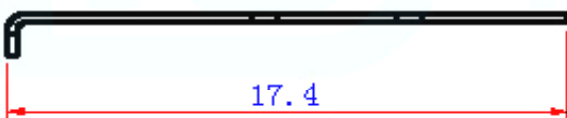
Lever Style (Ax)



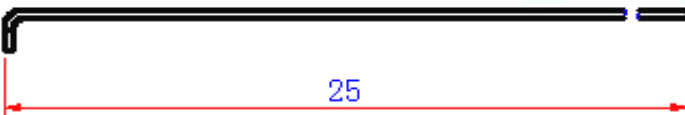
Order Code = A1



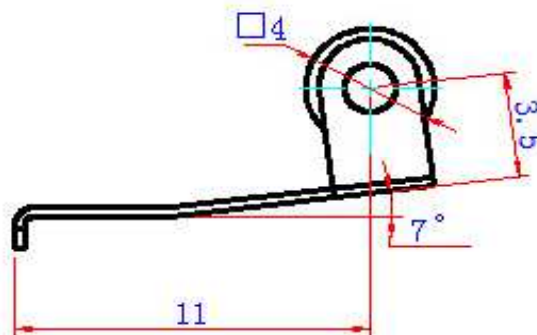
Order Code = A2



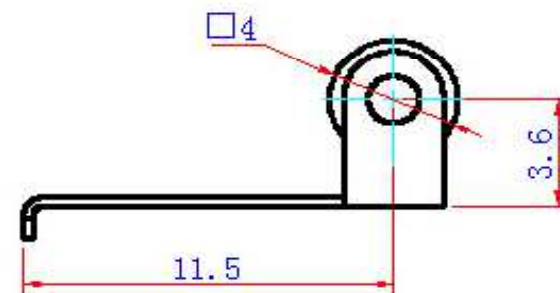
Order Code = A3



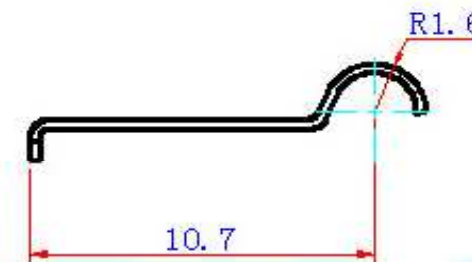
Order Code = A4



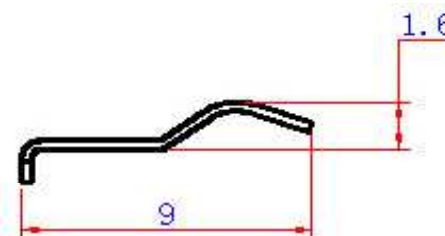
Order Code = A5



Order Code = A6



Order Code = A7



Order Code = A8

| Order Code | Operating Force (gf) | |
|------------|----------------------|-----|
| | BT | PT |
| B0 | 70 | 130 |
| B1 | 20 | 40 |
| B2 | 20 | 40 |
| B3 | 20 | 30 |

THT Mikro SWITCH
12,8x6,5mm

Part No.: **Q19033**

| | | | | | | | | | |
|-------|--------|------|--------|--------|--------|-----------|-----------|------|------------|
| DRW: | Jason | CHKD | Wilson | MATL: | Wilson | TOLERANCE | Mason | DATE | 13.11.2021 |
| APPD: | Schumi | | | FINISH | Jamy | | Sheet No. | | 2 from 4 |

Customer:

EDCON-COMPONENTS



Ordering Informations

| Serie | Switch Type | Lever Style Code (Ax) | Operating force (Bx) | Special function | Special function | ROHS | Packing |
|---------------|-------------|-----------------------|----------------------|------------------|------------------|----------|-----------|
| Q19033 | 1 | A0 | Bx | C0 | D0 | R | BU |

| | | | | | | |
|-----------------------------------|--------------------------|------------------|------------------------|------------------------|------------------------|-------------------------------|
| 1= 1A/125VAC / 50mA/DC5 | A0= without Lever | B0= 175gr | C0= No function | D0= No function | R= ROHS conform | BU= Bulk Ware |
| 3= 3A/125VAC / 1,5A/250VAC | A1= Type A1 | B1= 45gr | | | N= Non ROHS | TY= Tray Packing |
| | A2= Type A2 | B2= 38gr | | | | |
| | A3= Type A3 | B3= 28gr | | | | |
| | A4= Type A4 | | | | | IV= Individual Packing |
| | A5= Type A5 | | | | | |
| | A6= Type A6 | | | | | |
| | A7= Type A7 | | | | | |
| | A8= Type A8 | | | | | |

**THT Mikro SWITCH
12,8x6,5mm**

Part No.: **Q19033**

| | | | | | | | | | |
|-------|--------|------|--------|--------|--------|-----------|-----------|------|------------|
| DRW: | Jason | CHKD | Wilson | MATL: | Wilson | TOLERANCE | Mason | DATE | 13.11.2021 |
| APPD: | Schumi | | | FINISH | Jamy | | Sheet No. | | 3 from 4 |

Customer:



Soldering Profile for Lead Free Soldering

Soldering Profile for Reflow Soldering

Classification Reflow Profile (JEDEC J-STD-020C)



**THT Mikro SWITCH
12,8x6,5mm**

Part No.: **Q19033**

Customer:

| | | | | | | | | | |
|-------|--------|------|--------|--------|--------|-----------|-----------|----------|------------|
| DRW: | Jason | CHKD | Wilson | MATL: | Wilson | TOLERANCE | Mason | DATE | 13.11.2021 |
| APPD: | Schumi | | | FINISH | Jamy | | Sheet No. | 4 from 4 | |