

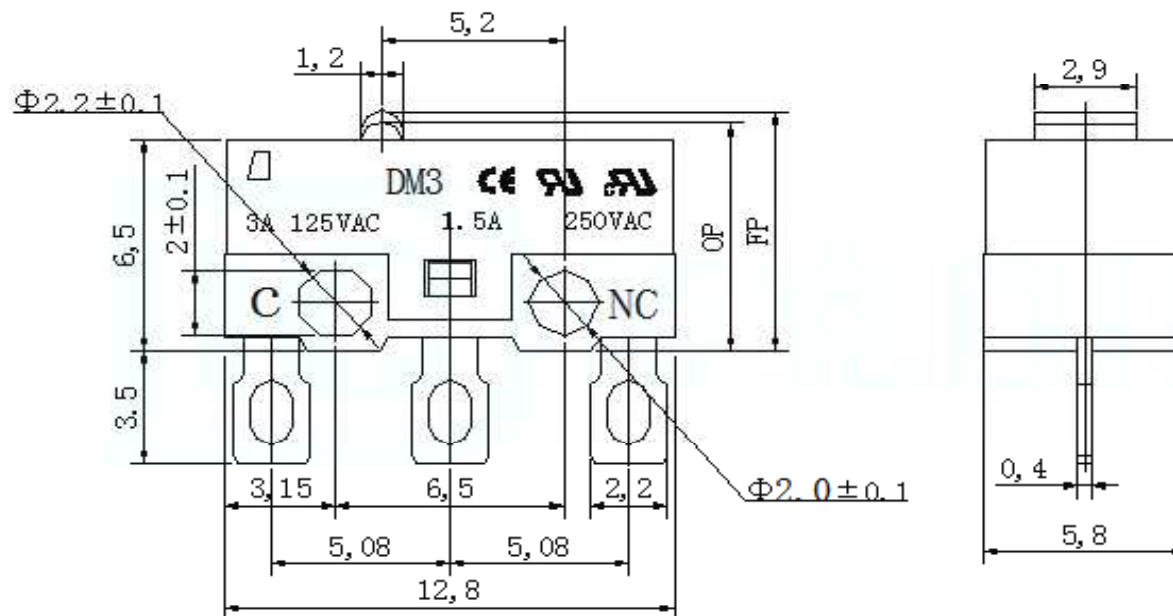
# EDCON-COMPONENTS



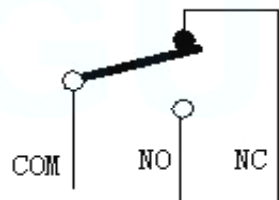
## SPECIFICATION:

Rated Voltage:	125 / 250VAC / 50mA/DC5V
Rated Current:	3A/125VAC / 1m5A/250VAC
Contact Resistance:	≤ 100mΩ / DC500V
Operating Force:	70 ± 20gf
Resilience:	RF
Free Position: (FP)	7,35 ± 0,2mm
Action Position: (OP)	7,0 ± 0,2mm
Return Position	
Stroke:	PT
Sensitivity:	BT
Mechanical:	
Mechanical Life:	1.000.000 cycles, 2,5 Welding Process Manual Welding
Electrical Life:	10.000 cycles
Applicable Temperature:	.-25°C + 85°C
Insulation Resistance:	≥100MΩ DC500V Applicable Humidity <85% RH
Withstanding Voltage:	AC 1000V 1 minute

## Drawing / Dimension (mm)



## SCHEMATIC



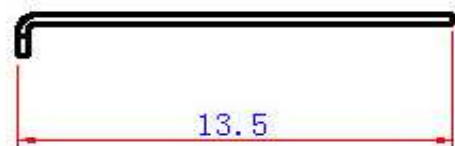
Tolerances unless otherwise specified (mm)									
x	x.x	x.xx	x.xxx	Angle					
±	±	±	±	±3°					
DRW:	Jason	CHKD	Wilson	MATL:	Wilson	TOLERANCE	Mason	DATE	13.11.2021
APPD:	Schumi			FINISH	Jamy		Sheet No.	1 from 4	Customer:

<b>THT Mikro SWITCH</b>	
<b>12,8x6,5mm</b>	
Part No.:	<b>Q19032</b>
Customer:	

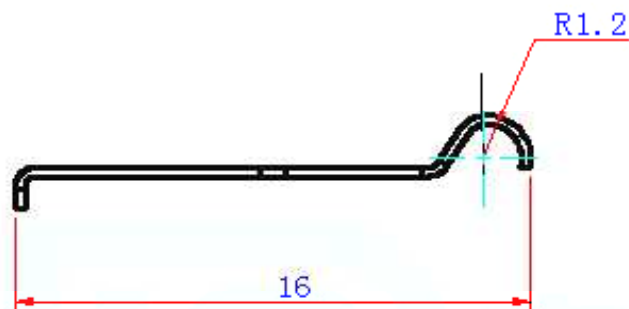
# EDCON-COMPONENTS



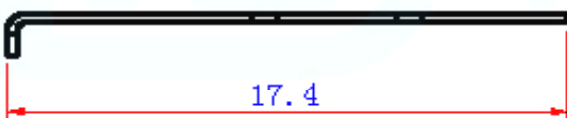
## Lever Style (Ax)



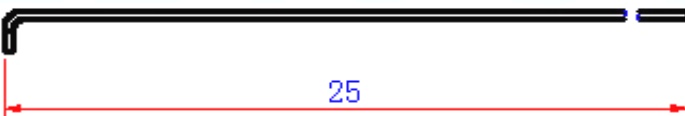
Order Code = A1



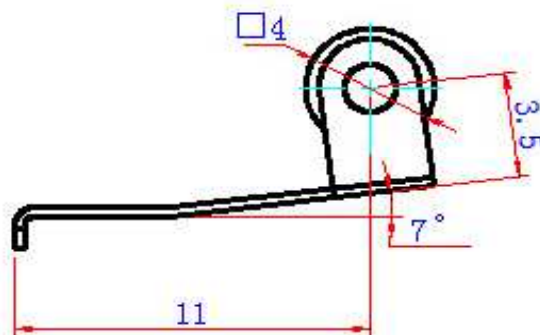
Order Code = A2



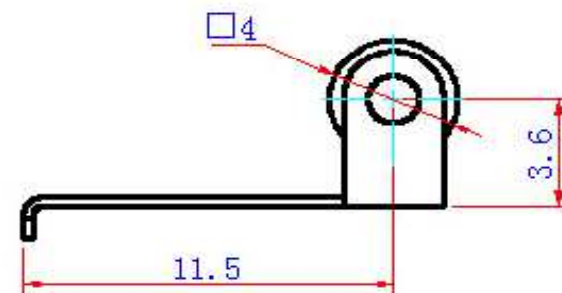
Order Code = A3



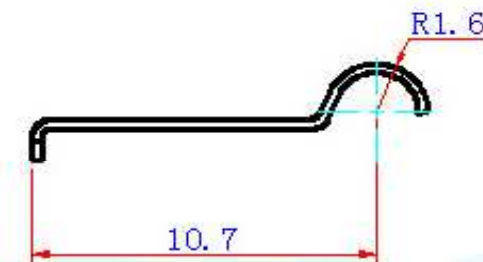
Order Code = A4



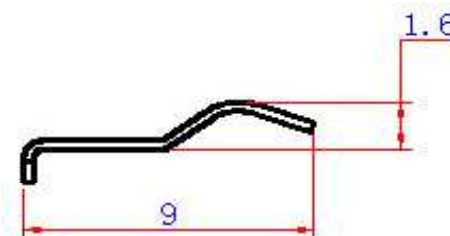
Order Code = A5



Order Code = A6



Order Code = A7



Order Code = A8

Order Code	Operating Force (gf)	
	BT	PT
<b>B0</b>	70	130
<b>B1</b>	20	40
<b>B2</b>	20	40
<b>B3</b>	20	30

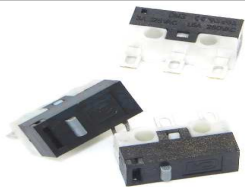
**THT Mikro SWITCH**  
12,8x6,5mm

Part No.: **Q19032**

DRW:	Jason	CHKD	Wilson	MATL:	Wilson	TOLERANCE	Mason	DATE	13.11.2021
APPD:	Schumi			FINISH	Jamy		Sheet No.		2 from 4

Customer:

# EDCON-COMPONENTS



## Ordering Informations

Serie	Switch Type	Lever Style Code (Ax)	Operating force (Bx)	Special function	Special function	ROHS	Packing
<b>Q19032</b>	<b>1</b>	<b>A0</b>	<b>Bx</b>	<b>C0</b>	<b>D0</b>	<b>R</b>	<b>BU</b>

<b>1= 1A/125VAC / 50mA/DC5</b>	<b>A0= without Lever</b>	<b>B0= 175gr</b>	<b>C0= No function</b>	<b>D0= No function</b>	<b>R= ROHS conform</b>	<b>BU= Bulk Ware</b>
<b>3= 3A/125VAC / 1,5A/250VAC</b>	<b>A1= Type A1</b>	<b>B1= 45gr</b>			<b>N= Non ROHS</b>	<b>TY= Tray Packing</b>
	<b>A2= Type A2</b>	<b>B2= 38gr</b>				
	<b>A3= Type A3</b>	<b>B3= 28gr</b>				
	<b>A4= Type A4</b>					<b>IV= Individual Packing</b>
	<b>A5= Type A5</b>					
	<b>A6= Type A6</b>					
	<b>A7= Type A7</b>					
	<b>A8= Type A8</b>					

**THT Mikro SWITCH  
12,8x6,5mm**

Part No.: **Q19032**

Customer:

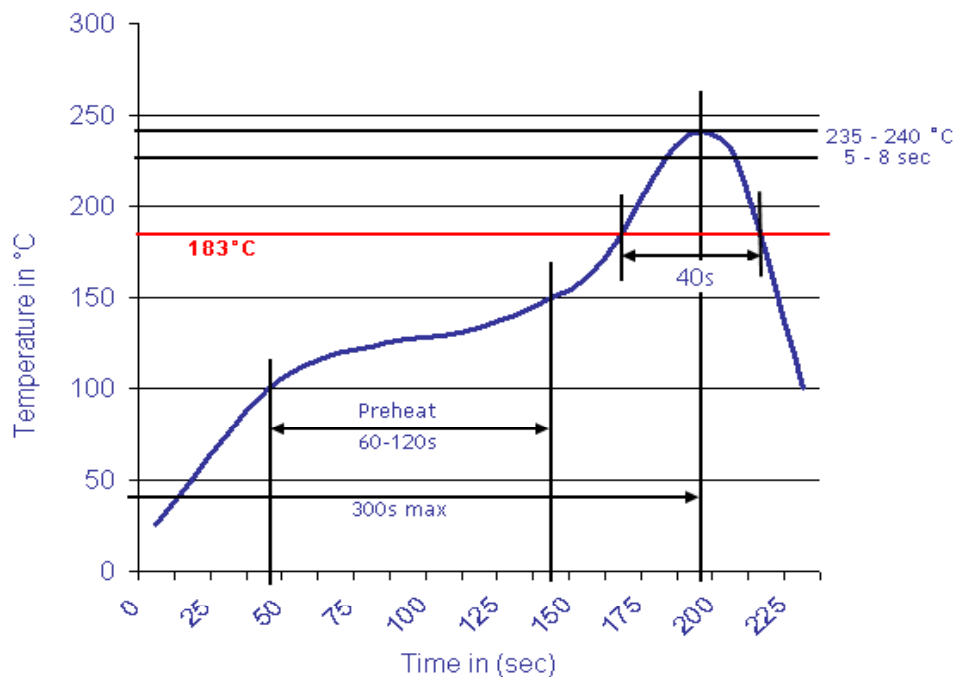
DRW:	Jason	CHKD	Wilson	MATL:	Wilson	TOLERANCE	Mason	DATE	13.11.2021
APPD:	Schumi			FINISH	Jamy		Sheet No.		3 from 4



## Soldering Profile for Lead Free Soldering

## Soldering Profile for Reflow Soldering

### Classification Reflow Profile (JEDEC J-STD-020C)



**THT Mikro SWITCH  
12,8x6,5mm**

Part No.: **Q19032**

Customer:

DRW:	Jason	CHKD	Wilson	MATL:	Wilson	TOLERANCE	Mason	DATE	13.11.2021
APPD:	Schumi			FINISH	Jamy		Sheet No.	4 from 4	