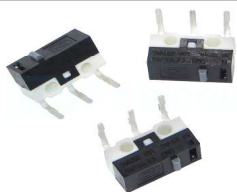


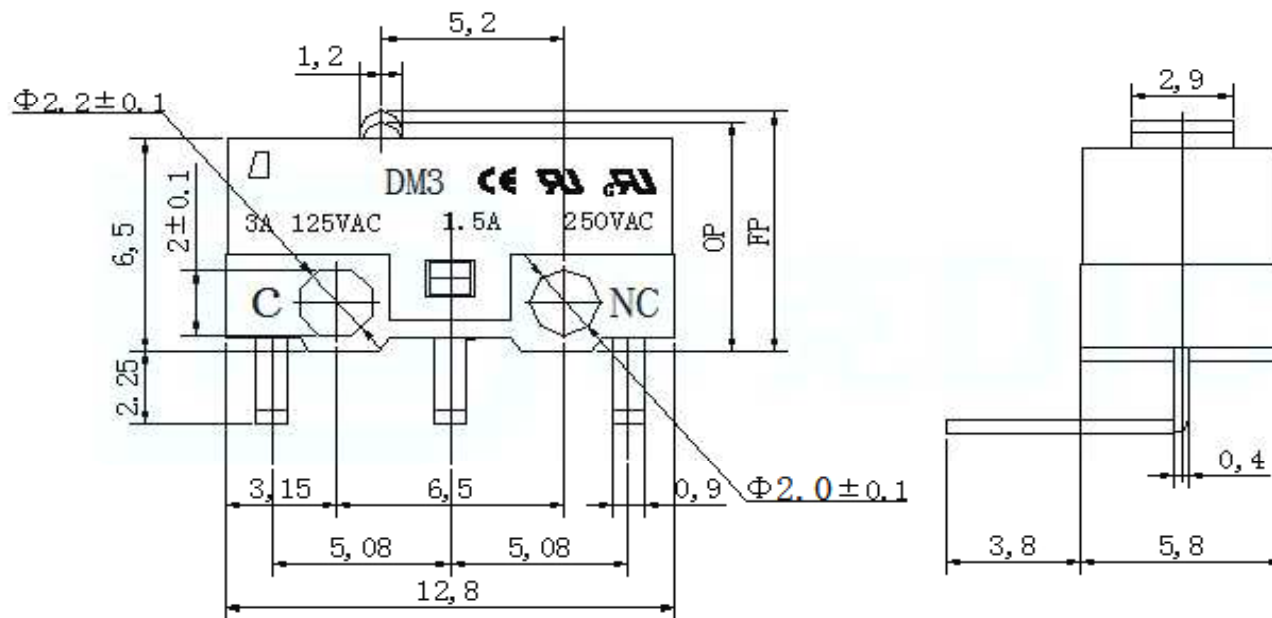
# EDCON-COMPONENTS



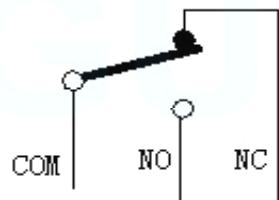
## SPECIFICATION:

Rated Voltage:	125 / 250VAC / 50mA/DC5V
Rated Current:	3A/125VAC / 1m5A/250VAC
Contact Resistance:	≤ 100mΩ / DC500V
Operating Force:	70 ± 20gf
Resilience:	RF
Free Position:(FP)	7,35 ± 0,2mm
Action Position: (OP)	7,0 ± 0,2mm
Return Position	
Stroke:	PT
Sensitivity:	BT
Mechanical:	
Mechanical Life:	1.000.000 cycles, 2,5 Welding Process Manual Welding
Electrical Life:	10.000 cycles
Applicable Temperature:	.-25°C + 85°C
Insulation Resistance:	≥100MΩ DC500V Applicable Humidity <85% RH
Withstanding Voltage:	AC 1000V 1 minute

## Drawing / Dimension (mm)



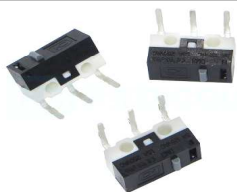
## SCHEMATIC



Tolerances unless otherwise specified (mm)									
x	x.x	x.xx	x.xxx	Angle					
±	±	±	±	±3°					
DRW:	Jason	CHKD	Wilson	MATL:	Wilson	TOLERANCE	Mason	DATE	13.11.2021
APPD:	Schumi			FINISH	Jamy		Sheet No.		1 from 4

<b>THT Mikro SWITCH</b>	
<b>12,8x6,5mm</b>	
Part No.:	<b>Q19030</b>
Customer:	

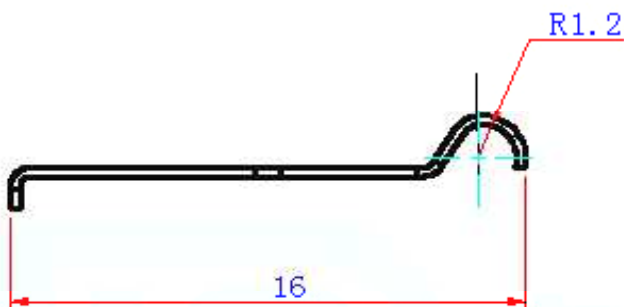
# EDCON-COMPONENTS



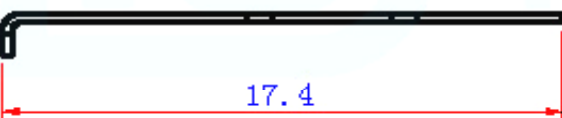
## Lever Style (Ax)



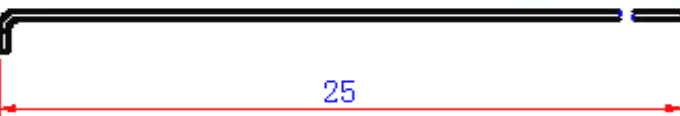
Order Code = A1



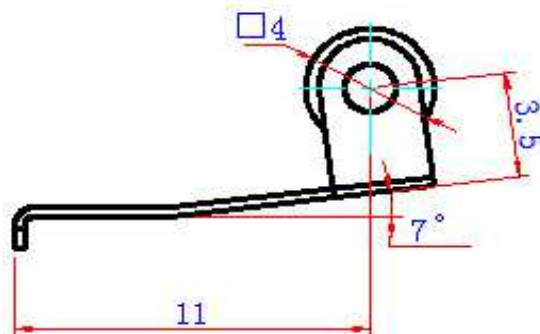
Order Code = A2



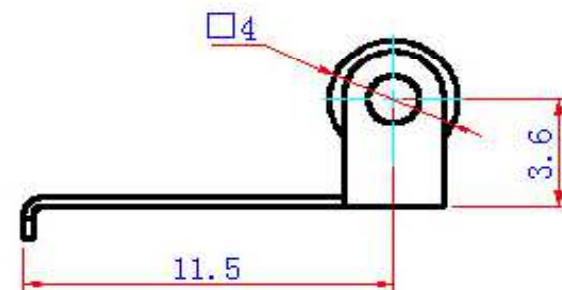
Order Code = A3



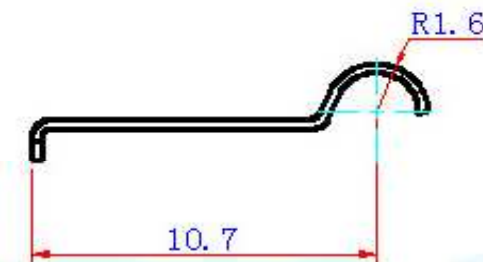
Order Code = A4



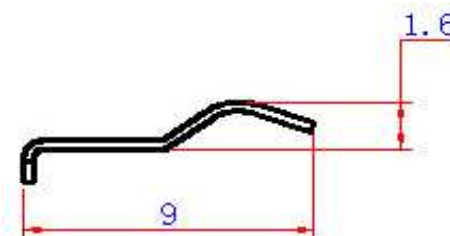
Order Code = A5



Order Code = A6



Order Code = A7



Order Code = A8

Order Code	Operating Force (gf)	
	BT	PT
<b>B0</b>	70	130
<b>B1</b>	20	40
<b>B2</b>	20	40
<b>B3</b>	20	30

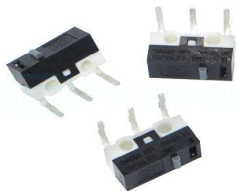
**THT Mikro SWITCH**  
**12,8x6,5mm**

Part No.: **Q19030**

DRW:	Jason	CHKD	Wilson	MATL:	Wilson	TOLERANCE	Mason	DATE	13.11.2021
APPD:	Schumi			FINISH	Jamy		Sheet No.		2 from 4

Customer:

# EDCON-COMPONENTS



## Ordering Informations

Serie	Switch Type	Lever Style Code (Ax)	Operating force (Bx)	Special function	Special function	ROHS	Packing
<b>Q19030</b>	<b>1</b>	<b>A0</b>	<b>Bx</b>	<b>C0</b>	<b>D0</b>	<b>R</b>	<b>BU</b>

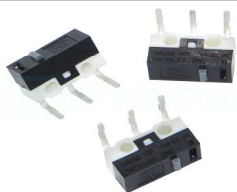
<b>1= 1A/125VAC / 50mA/DC5</b>	<b>A0=</b> without Lever	<b>B0=</b> 175gr	<b>C0=</b> No function	<b>D0=</b> No function	<b>R=</b> ROHS conform	<b>BU=</b> Bulk Ware
<b>3= 3A/125VAC / 1,5A/250VAC</b>	<b>A1=</b> Type A1	<b>B1=</b> 45gr			<b>N=</b> Non ROHS	<b>TY=</b> Tray Packing
	<b>A2=</b> Type A2	<b>B2=</b> 38gr				
	<b>A3=</b> Type A3	<b>B3=</b> 28gr				
	<b>A4=</b> Type A4					<b>IV=</b> Individual Packing
	<b>A5=</b> Type A5					
	<b>A6=</b> Type A6					
	<b>A7=</b> Type A7					
	<b>A8=</b> Type A8					

**THT Mikro SWITCH  
12,8x6,5mm**

Part No.: **Q19030**

Customer:

DRW:	Jason	CHKD	Wilson	MATL:	Wilson	TOLERANCE	Mason	DATE	13.11.2021
APPD:	Schumi			FINISH	Jamy		Sheet No.		3 from 4



## Soldering Profile for Lead Free Soldering

## Soldering Profile for Reflow Soldering

### Classification Reflow Profile (JEDEC J-STD-020C)



**THT Mikro SWITCH  
12,8x6,5mm**

Part No.: **Q19030**

DRW:	Jason	CHKD	Wilson	MATL:	Wilson	TOLERANCE	Mason	DATE	13.11.2021
APPD:	Schumi			FINISH	Jamy		Sheet No.	4 from 4	Customer: