

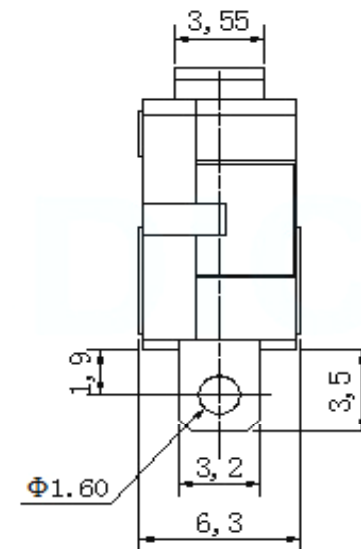
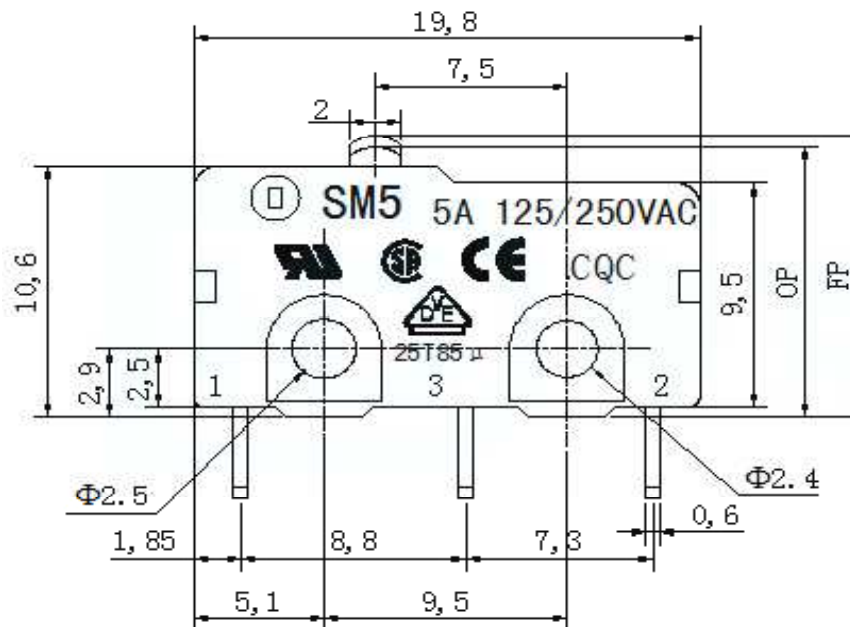
EDCON-COMPONENTS



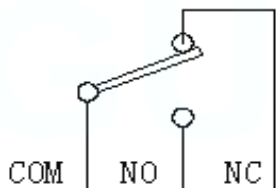
SPECIFICATION:

Rated Voltage:	125/250VAC
Rated Current:	5A
Contact Resistance:	≤ 100mΩ
Operating Force:	115 ± 30gf
Resilience:	RF
Free Position:	11,9 ± 0,3mm
Action Position:	11,3 ± 0,35mm
Return Position:	RP
Stroke:	PT
Sensitivity:	BT
Mechanical:	
Mechanical Life:	1.000.000 cycles, 2,5 Welding Process Manual Welding
Electrical Life:	10.000 cycles
Insulation Resistance:	2.6 Applicable Temperature: -25°C + 85°C ≥100MΩ DC500V
Compressive Strength:	Applicable Humidity <85% RH AC 1000V 1 minute

Drawing / Dimension (mm)



SCHEMATIC



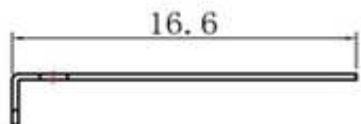
Tolerances unless otherwise specified (mm)				
x	x.x	x.xx	x.xxx	Angle
±	±	±	±	±3°
DRW:	Jason	CHKD	Wilson	MATL:
APPD:	Schumi			FINISH
				Wilson
				Jamy
				Mason
				DATE
				13.11.2021
				Sheet No.
				1 from 4

THT Mikro SWITCH	
19,8x10,6mm	
Part No.:	Q19021
Customer:	

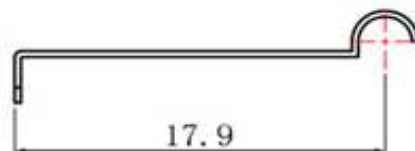
EDCON-COMPONENTS



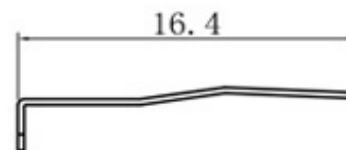
Lever Style (Ax)



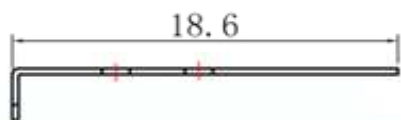
Order Code = A1



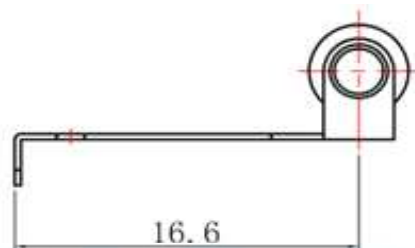
Order Code = A4



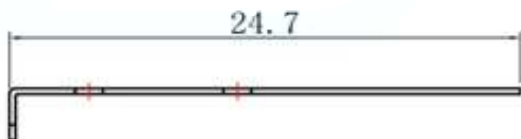
Order Code = Bx



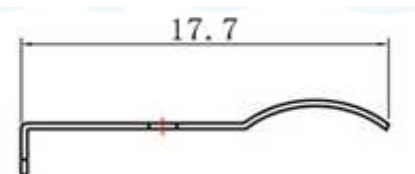
Order Code = A2



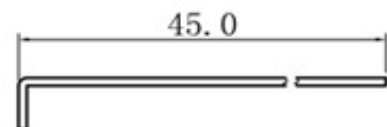
Order Code = A5



Order Code = A3



Order Code = A6



Order Code = A7

Order Code	Operating Force (gf)		
	BT	RP	PT
B0	115	175	250
B1	30	45	60
B2	25	38	55
B3	18	28	45
B4	28	40	60
B5	30	45	68
B6	38	55	75
B7	14	20	25

**THT Mikro SWITCH
19,8x10,6mm**

Part No.: **Q19021**

Customer:

DRW:	Jason	CHKD	Wilson	MATL:	Wilson	TOLERANCE	Mason	DATE	13.11.2021
APPD:	Schumi			FINISH	Jamy		Sheet No.		2 from 4

EDCON-COMPONENTS



Ordering Informations

Serie	Lever Style Code (Ax)	Operating force (Bx)	Special function	Special function	ROHS	Packing
-------	-----------------------	----------------------	------------------	------------------	------	---------

Q19021	A0	Bx	C0	D0	R	BU
---------------	-----------	-----------	-----------	-----------	----------	-----------

A0 = without Lever	B0 = 175gr	C0 = No function	D0 = No function	R = ROHS conform	BU = Bulk Ware
A1 = Type A1	B1 = 45gr			N = Non ROHS	TY = Tray Packing
A2 = Type A2	B2 = 38gr				
A3 = Type A3	B3 = 28gr				
A4 = Type A4	B4 = 40gr				IV = Individual Packing
A5 = Type A5	B5 = 45gr				
A6 = Type A6	B6 = 55gr				
A7 = Type A7	B7 = 20gr				
A8 = Type A8					

**THT Mikro SWITCH
19,8x10,6mm**

Part No.: **Q19021**

Customer:

DRW:	Jason	CHKD	Wilson	MATL:	Wilson	TOLERANCE	Mason	DATE	13.11.2021
APPD:	Schumi			FINISH	Jamy		Sheet No.		3 from 4



Soldering Profile for Lead Free Soldering

Soldering Profile for Reflow Soldering

Classification Reflow Profile (JEDEC J-STD-020C)



**THT Mikro SWITCH
19,8x10,6mm**

Part No.: **Q19021**

DRW:	Jason	CHKD	Wilson	MATL:	Wilson	TOLERANCE	Mason	DATE	13.11.2021
APPD:	Schumi			FINISH	Jamy		Sheet No.	4 from 4	Customer: