

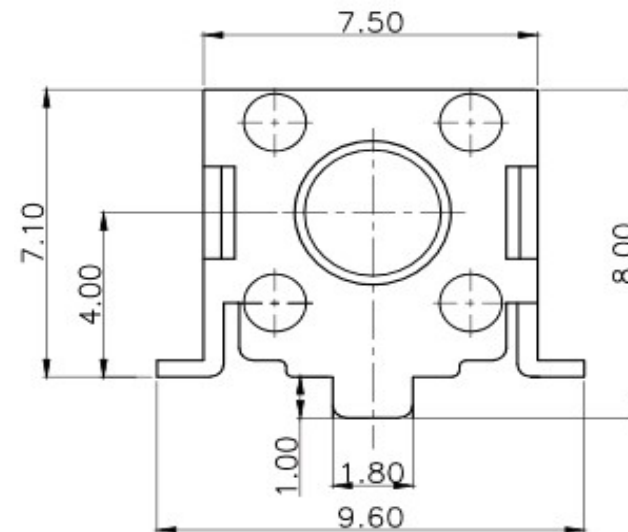
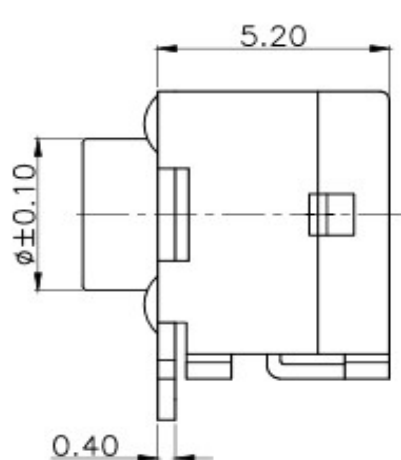
EDCON-COMPONENTS



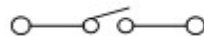
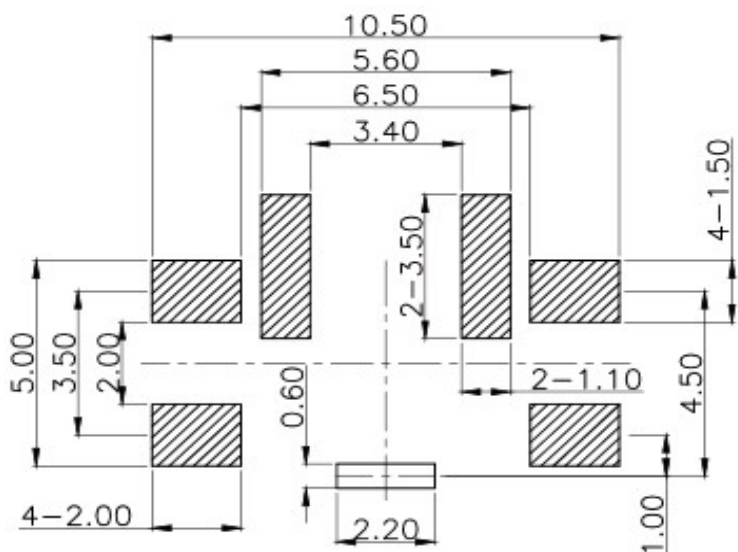
SPECIFICATION:

Voltage Rating:	12VDC
Current Rating:	50mA
Mechanical Life:	100000 cycles
Contact Resistance:	100m Ω max. (initial)
Insulation Resistance:	10M Ω min. 500VDC
Dielectric Strength:	250VAC/1min.
Operating Temperature:	-40°C ~ +80°C

Drawing / Dimensions (mm)



PCB-Layout (View Pattern Side)



Circuit Diagram

Tolerances unless otherwise specified (mm)

x	x.x	x.xx	x.xxx	Angle
±	±	±	±	±3°

SMT Tact Switch

Part No.: **Q12247**

Customer:

DRW:	Jason	CHKD	Wilson	MATL:	Wilson	TOLERANCE	Mason	DATE	24.04.2024
APPD:	Schumi			FINISH	Jamy		Sheet No.		1 from 4

www.edcon-components.com

email: info@edcon-components.com

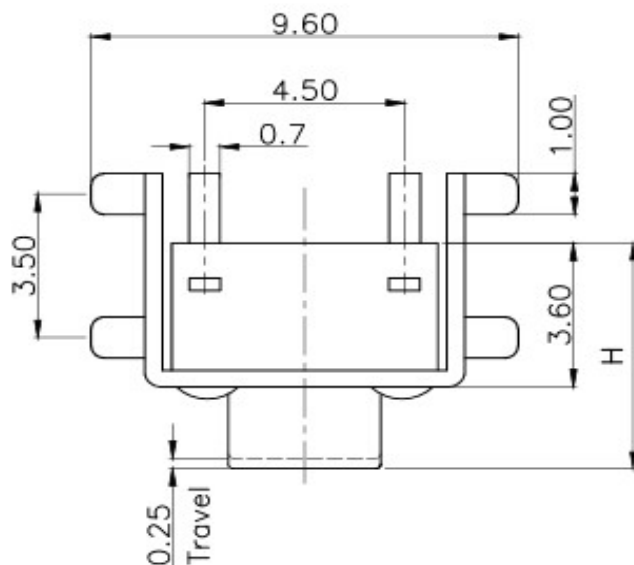
EDCON-COMPONENTS



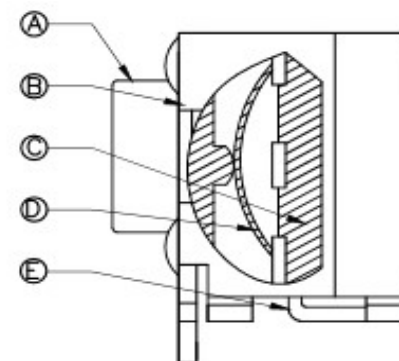
Knob Length oder ode Table (H)

Drawing / Dimensions (mm)

Order Code	H	Ø
043	4,3	3,5
045	4,5	3,5
050	5,0	3,5
955	5,5	3,5
060	6,0	3,5
065	6,5	3,3
070	7,0	3,3
075	7,5	3,3
080	8,0	3,3
085	8,5	3,3
090	9,0	3,1
095	9,5	3,1
100	10,0	3,1
105	10,5	3,0
110	11,0	3,0
115	11,5	3,0
120	12,0	3,0
125	12,5	3,0
130	13,0	3,0
135	13,5	3,0
140	14,0	3,0
150	15,0	3,0
160	16,0	3,0
170	17,0	3,0



NO.	Name	Number	Qty	Materil	Remarks
(E)	Terminal	2		Brass	Silvering
(D)	Reed	1		Phosphorus copper	Silver Covered
(C)	Button	1		PPA	Black
(B)	Cover	1		SPCC	Nickel plating
(A)	Base	1		PPA	Black



SMT Tact Switch

Part No.: **Q12247**

DRW:	Jason	CHKD	Wilson	MATL:	Wilson	TOLERANCE	Mason	DATE	24.04.2024	Customer:
APPD:	Schumi			FINISH	Jamy		Sheet No.	2 from 4		

www.edcon-components.com

email: info@edcon-components.com

EDCON-COMPONENTS



Ordering Informations

Serie	Knob Length H	Fill with 0	Operating Force	Polarisation Peg	Electrical life	Cap Option	Cap Colour	Special function	ROHS	Packing
Q12247	043	X	121	N	104	N	N	N	R	TR

xxx= look Table H	X= no function	121= 120gr	N= without Peg	104= 100000 Cycles	N= No Cap	N= No Cap Colour	N= No Function	N= Non ROHS	TR = Tape/Reel Packing
		181= 180gr	Y= with Peg					R= ROHS conform	TU= Tube Packing
		251= 250gr							BU= Bulk Ware

SMT Tact Switch

Part No.: **Q12247**

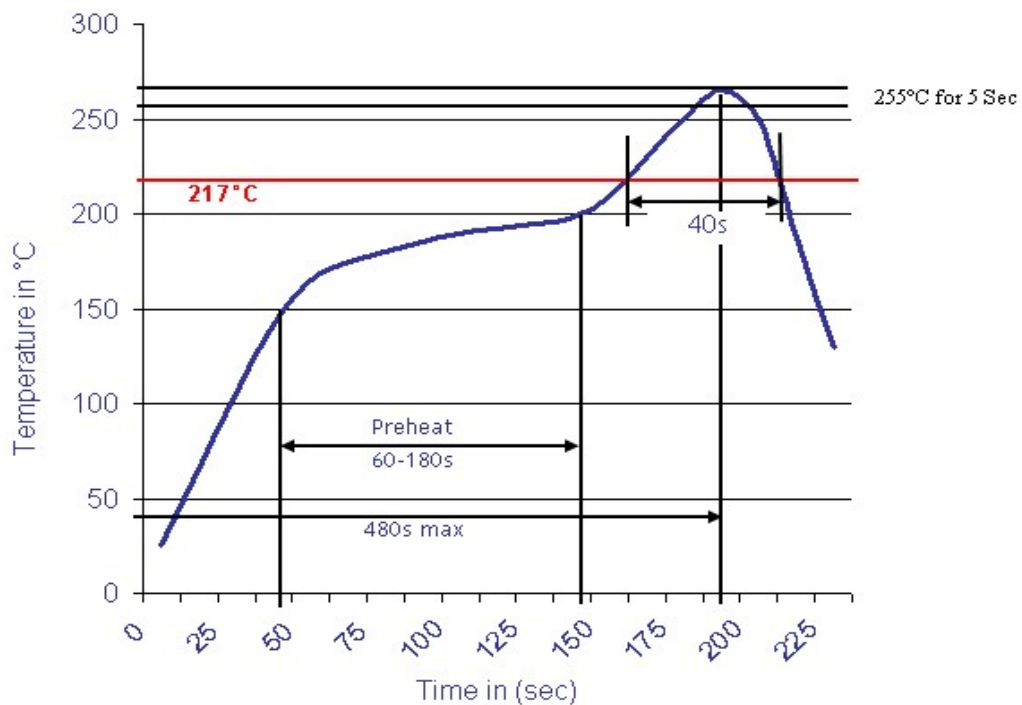
DRW:	Jason	CHKD	Wilson	MATL:	Wilson	TOLERANCE	Mason	DATE	24.04.2024
APPD:	Schumi			FINISH	Jamy		Sheet No.		3 from 4

Customer:



Soldering Profile Lead Free Curve

Classification Reflow Profile (JEDEC J-STD-020C)



SMT Tact Switch

Part No.: **Q12247**

DRW:	Jason	CHKD	Wilson	MATL:	Wilson	TOLERANCE	Mason	DATE	24.04.2024
APPD:	Schumi			FINISH	Jamy		Sheet No.	4 from 4	

Customer: