

# EDCON-COMPONENTS



## SPECIFICATION:

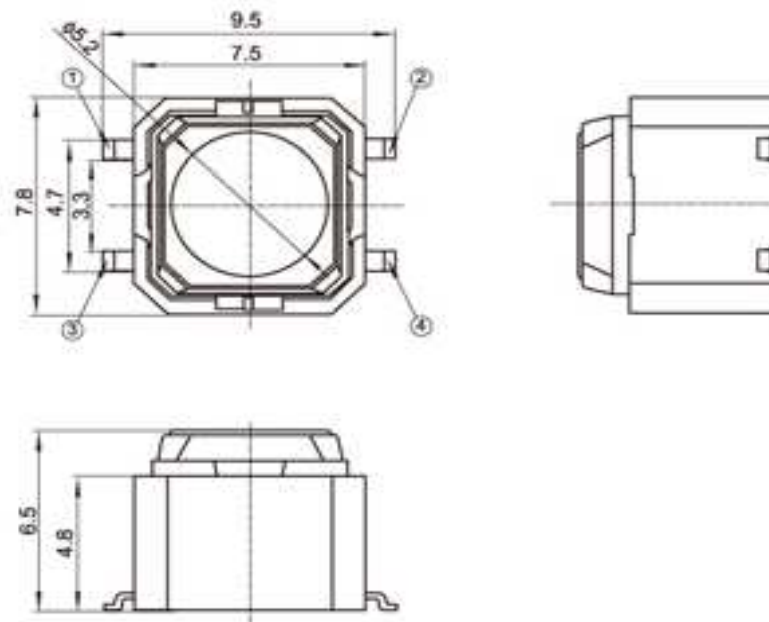
Circuit: SPST  
 Function: Momentary  
 Current Rating: 50mA  
 Voltage Rating: 12 VDC  
 Dielectric withstanding Volt: 250VAC for 1 minute

Insulation resistance: 100M  $\Omega$  min.  
 Operating Force: look order code  
 Total travel: 1,0mm +/- 0,1mm  
 Operating lifetime: look order code  
 Operating Temperature: -40°C ~ +85°C  
 Storage Temperature:

Material:  
 Contact Material: Brass  
 Contact Plating: silver or tin plated  
 Contact resistance: 100m $\Omega$  max.  
 Body: Nylon 66 UL rated 94V-2  
 Frame: Nylon 66 UL rated 94V-2  
 Cap: PC

Illuminated: No  
 Illuminated colors: look order code

## Drawing



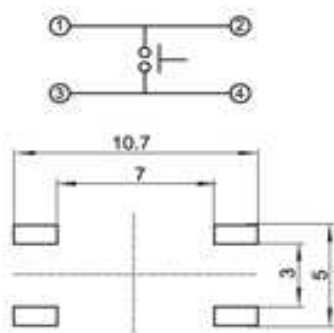
**TACT SWITCH THT**  
**7,5x7,8mm**

Part No.: **Q12127**

DRW:	Jason	CHKD	Wilson	MATL:	Wilson	TOLERANCE	Mason	DATE	12.10.2013	Customer:
APPD:	Schumi			FINISH	Jamy		Sheet No.	1 from 4		



**P.C.B Layout**



<b>TACT SWITCH THT 7,5x7,8mm</b>	
Part No.:	<b>Q12127</b>
Customer:	

DRW:	Jason	CHKD	Wilson	MATL:	Wilson	TOLERANCE	Mason	DATE	12.10.2013
APPD:	Schumi			FINISH	Jamy		Sheet No.	2 from 4	

[www.edcon-components.com](http://www.edcon-components.com)

email: [info@edcon-components.com](mailto:info@edcon-components.com)

Copyright by S.Tiede



**Ordering Informations**

Serie	Total height w. Body	Fill with 0	Operating Force	Polarisation Peg	Electrical life	Knob Color	ROHS	Packing		
<b>Q12127</b>	<b>065</b>	<b>X</b>	<b>251</b>	<b>N</b>	<b>104</b>	<b>BK</b>	<b>R</b>	<b>BU</b>		

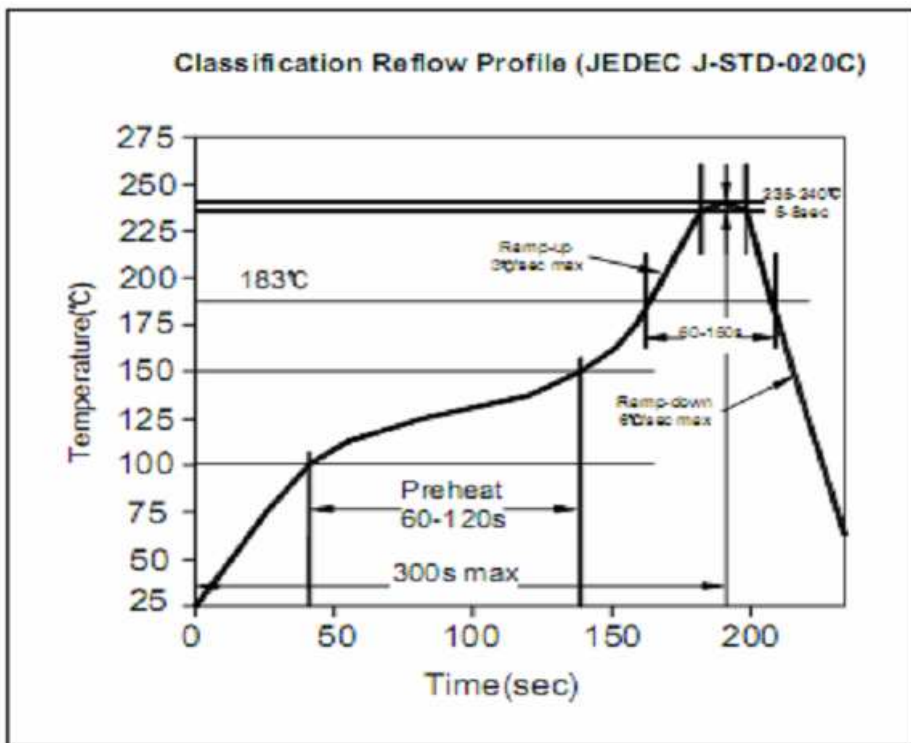
<b>065</b> = 6,5mm		<b>251</b> = 250gr	<b>N</b> = without Peg	<b>104</b> = 100000 Cycles		<b>N</b> = non ROHS	<b>BU</b> = Bulk Ware
		<b>521</b> = 520gr			<b>BK</b> = Black	<b>R</b> = ROHS conform	<b>TY</b> = Tray Packing
							<b>TU</b> = Tube Packing


<b>TACT SWITCH THT 7,5x7,8mm</b>	
Part No.:	<b>Q12127</b>
Customer:	

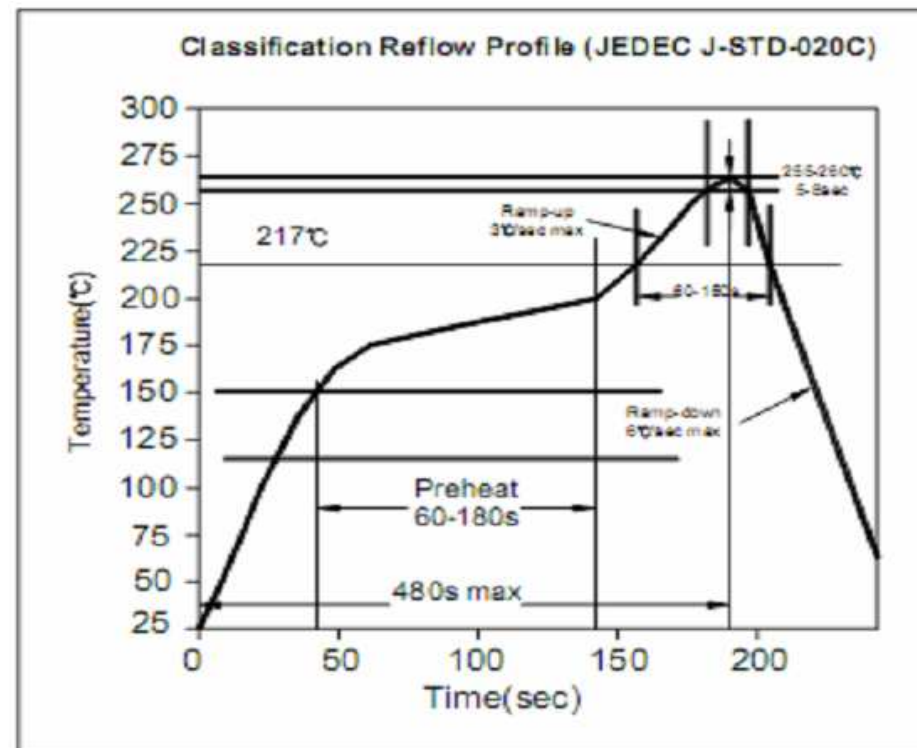
DRW:	Jason	CHKD	Wilson	MATL:	Wilson	TOLERANCE	Mason	DATE	12.10.2013
APPD:	Schumi			FINISH	Jamy		Sheet No.		3 from 4



**Soldering Profile for Lead Soldering**



**Soldering Profile for Lead Free Soldering**



**TACT SWITCH THT  
 7,5x7,8mm**

Part No.: **Q12127**

DRW:	Jason	CHKD	Wilson	MATL:	Wilson	TOLERANCE	Mason	DATE	12.10.2013
APPD:	Schumi			FINISH	Jamy		Sheet No.		4 from 4

Customer: