

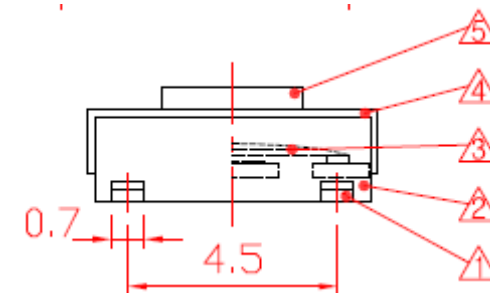
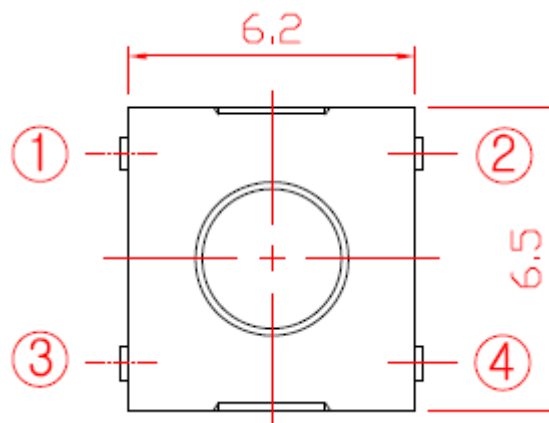
# EDCON-COMPONENTS



## SPECIFICATION:

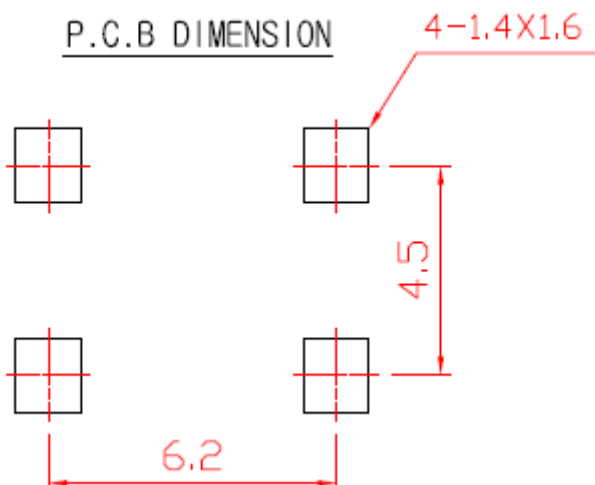
Current Rating: 50mA / 12VDC  
 Insulator Resistance: 100M Ohm min 100VDC  
 Dielectric Withstanding: 250VAC for 1 min.  
 Operating Temperature: -30°C ~ +85°C  
 Contact Resistance: 100 milli Ohm max.  
 Travel: 0,25mm (+/- 0,1mm)

## Drawing

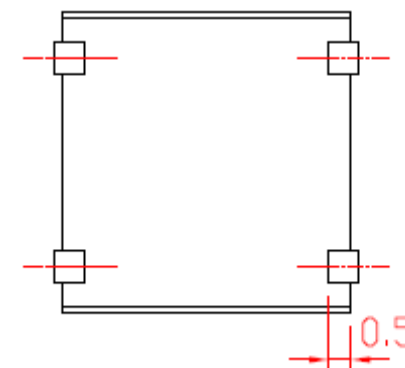
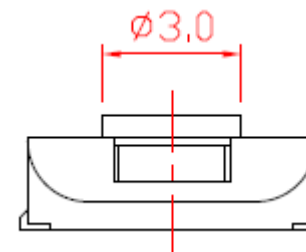
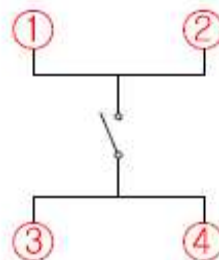


## P.C.B Layout

### P.C.B DIMENSION



### CIRCUIT DIAGRAM



<b>SMT Tact Switch</b>	
<b>6,2x6,5mm</b>	
Part No.:	<b>Q12081</b>
Customer:	

DRW:	Jason	CHKD	Wilson	MATL:	Wilson	TOLERANCE	Mason	DATE	29.08.2013
APPD:	Schumi			FINISH	Jamy		Sheet No.	1 from 3	

# EDCON-COMPONENTS



## Ordering Informations

Serie	Total height w. Body	Special function	Operating Force	Polarisation Peg	Electrical life	Special function	ROHS	Packing		
<b>Q12081</b>	<b>020</b>	<b>X</b>	<b>301</b>	<b>N</b>	<b>104</b>	<b>X</b>	<b>R</b>	<b>TR</b>		

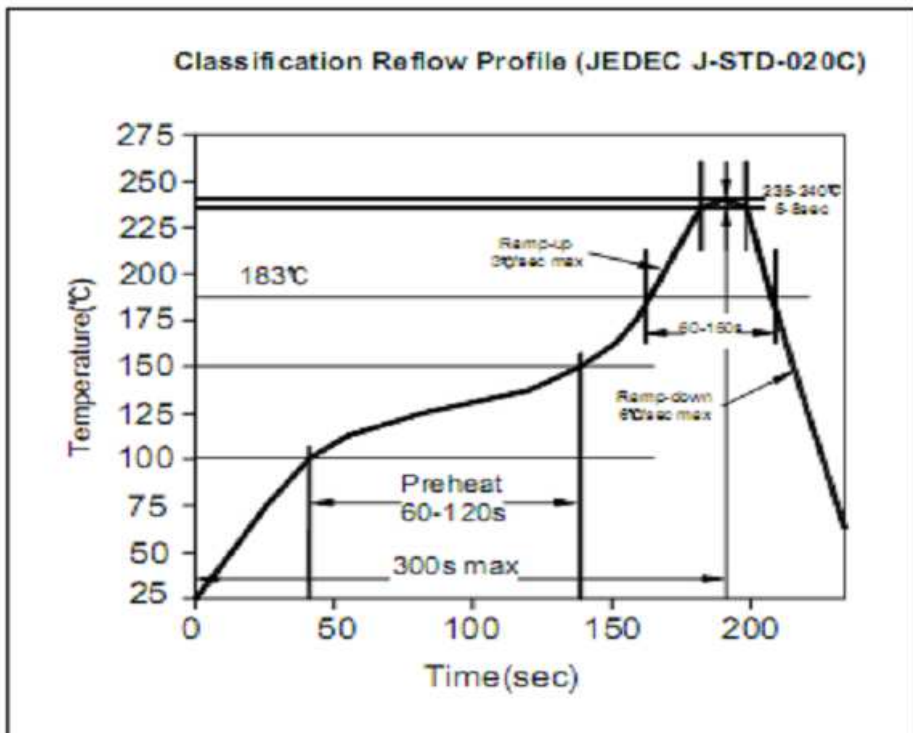
<b>020</b> = 2,0mm	<b>X</b> = no special function	<b>301</b> = 300gr	<b>N</b> = without Peg	<b>104</b> = 10000 Cycles	<b>X</b> = no special function	<b>N</b> = non ROHS	<b>BU</b> = Bulk Ware
<b>023</b> = 2,3mm						<b>R</b> = ROHS conform	<b>TY</b> = Tray Packing
<b>025</b> = 2,5mm							<b>TR</b> = Tape/Reel Packing
<b>031</b> = 3,1mm							
<b>034</b> = 3,4mm							

<b>SMT Tact Switch 6,2x6,5mm</b>
Part No.: <b>Q12081</b>
Customer:

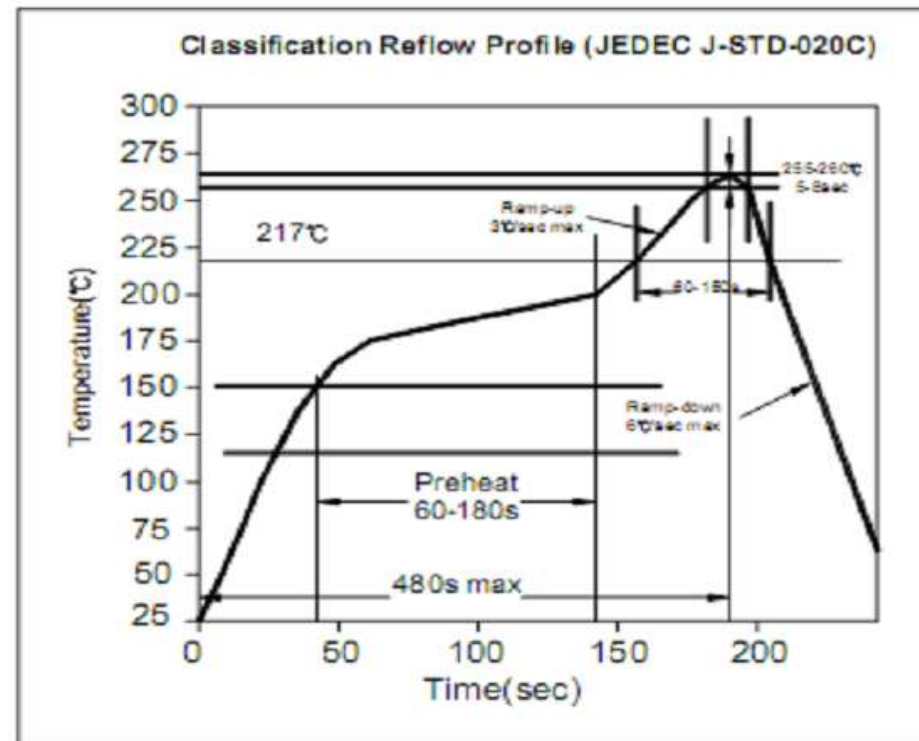
DRW:	Jason	CHKD	Wilson	MATL:	Wilson	TOLERANCE	Mason	DATE	29.08.2013
APPD:	Schumi			FINISH	Jamy		Sheet No.	2 from 3	



## Soldering Profile for Lead Soldering



## Soldering Profile for Lead Free Soldering



<b>SMT Tact Switch 6,2x6,5mm</b>	
Part No.:	<b>Q12081</b>
Customer:	

DRW:	Jason	CHKD	Wilson	MATL:	Wilson	TOLERANCE	Mason	DATE	29.08.2013
APPD:	Schumi			FINISH	Jamy		Sheet No.	3 from 3	