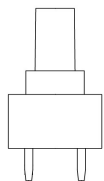


# EDCON-COMPONENTS



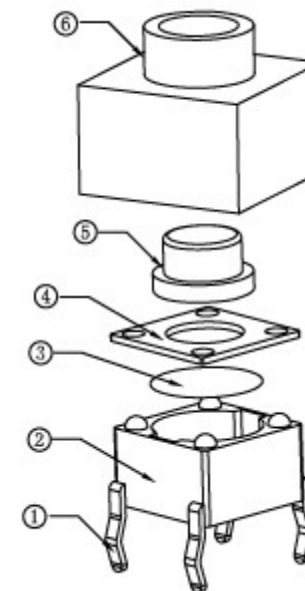
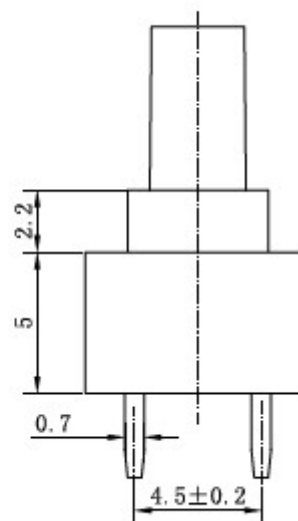
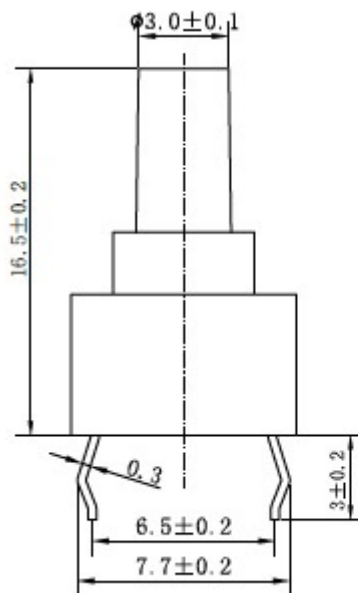
## SPECIFICATION:

Circuit: SPST  
 Function: Momentary  
 Current Rating: 50mA  
 Voltage Rating: 12 VDC  
 Dielectric withstanding Volt: 250VAC for 1 minute

Insulation resistance: 100M  $\Omega$  min.  
 Operating Force: look order code  
 Total travel: 0,25mm +/- 0,1mm  
 Operating lifetime: look order code  
 Operating Temperature: . -10°C ~ +60°C  
 Storage Temperature:  
 Material:  
 Contact Material: Brass  
 Contact Plating: silver or tin plated  
 Contact resistance: 100m $\Omega$  max.  
 Body: Nylon 66 UL rated 94V-2  
 Frame: Nylon 66 UL rated 94V-2  
 Cap: PC

Illuminated: Yes  
 Illuminated colors: look order code

## Drawing / Dimension (mm)



Tolerances unless otherwise specified (mm)

X	X.X	X.XX	X.XXX	Angle
±	±	±	±	±3°

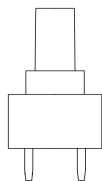
**THT TACT SWITCH**

Part No.: **Q11163**

DRW:	Jason	CHKD	Wilson	MATL:	Wilson	TOLERANCE	Mason	DATE	11.02.2023
APPD:	Schumi			FINISH	Jamy		Sheet No.		1 from 4

Customer:

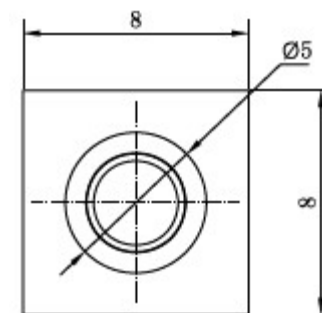
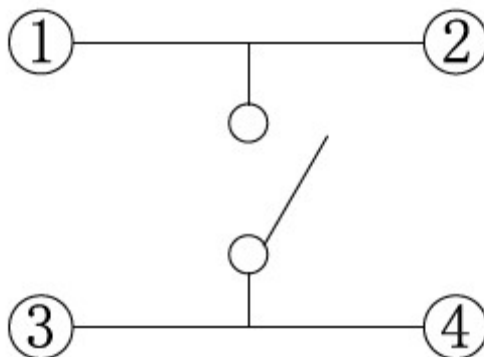
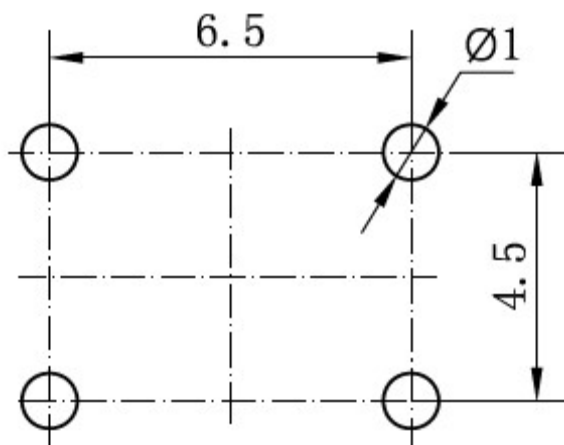
# EDCON-COMPONENTS



P.C.B Layout (mm)

Circuit Diagramm

Square Dimension



**THT TACT SWITCH**

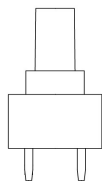
Part No.: **Q11163**

DRW:	Jason	CHKD	Wilson	MATL:	Wilson	TOLERANCE	Mason	DATE	11.02.2023
APPD:	Schumi			FINISH	Jamy		Sheet No.		2 from 4

[www.edcon-components.com](http://www.edcon-components.com)

email: [info@edcon-components.com](mailto:info@edcon-components.com)

# EDCON-COMPONENTS



## Ordering Informations

Serie	Total height w. Body	Special function	Operating Force	Special function	Electrical life	Special function	ROHS	Packing		
<b>Q11163</b>	<b>165</b>	<b>X</b>	<b>000</b>	<b>N</b>	<b>000</b>	<b>X</b>	<b>R</b>	<b>BU</b>		

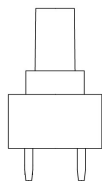
<b>165</b> = 16,5mm	<b>X</b> = No special Function	<b>101</b> = 100gr	<b>X</b> = No special Function	<b>103</b> = 10000 Cycles	<b>X</b> = No special Function	<b>N</b> = Non ROHS	<b>BU</b> = Bulk Ware
<b>xxx</b> = xx,xmm		<b>151</b> = 150gr		<b>503</b> = 50000 cycles		<b>R</b> = ROHS conform	<b>TY</b> = Tray Packing
		<b>201</b> = 200gr		<b>104</b> = 100000 cycles			
		<b>251</b> = 250gr		<b>105</b> = 1000000 cycles			
		<b>501</b> = 500gr					

**THT TACT SWITCH**

Part No.: **Q11163**

DRW:	Jason	CHKD	Wilson	MATL:	Wilson	TOLERANCE	Mason	DATE	11.02.2023
APPD:	Schumi			FINISH	Jamy		Sheet No.		3 from 4

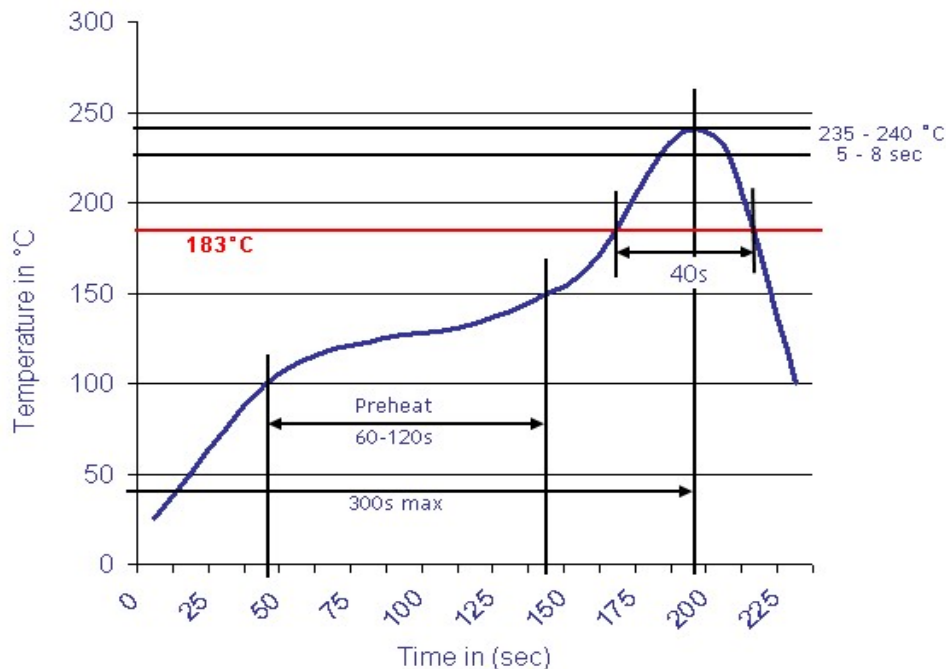
Customer:



Soldering Profile for Lead Free Soldering

Soldering Profile for Reflow Soldering

Classification Reflow Profile (JEDEC J-STD-020C)



**THT TACT SWITCH**

Part No.: **Q11163**

Customer:

DRW:	Jason	CHKD	Wilson	MATL:	Wilson	TOLERANCE	Mason	DATE	11.02.2023
APPD:	Schumi			FINISH	Jamy		Sheet No.	4 from 4	