

EDCON-COMPONENTS



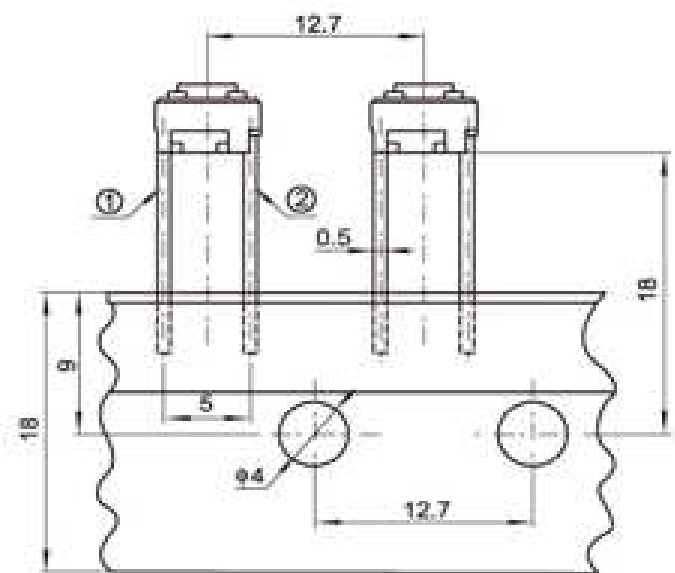
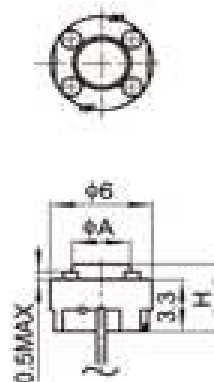
SPECIFICATION:

Circuit: SPST
 Function: Momentary
 Current Rating: 50mA
 Voltage Rating: 12 VDC
 Dielectric withstanding Volt: 250VAC for 1 minute

Insulation resistance: 100M Ω min.
 Operating Force: look order code
 Total travel: 0,25mm +/- 0,1mm
 Operating lifetime: look order code
 Operating Temperature: -30°C ~ +85°C
 Storage Temperature:
 Material:
 Contact Material: Brass
 Contact Plating: silver or tin plated
 Contact resistance: 100m Ω max.
 Body: Nylon 66 UL rated 94V-2
 Frame: Nylon 66 UL rated 94V-2
 Cap: PC

Illuminated: No
 Illuminated colors: look order code

Drawing



**TACT SWITCH THT
6x6mm**

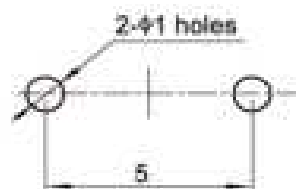
Part No.: **Q11114**

DRW:	Jason	CHKD	Wilson	MATL:	Wilson	TOLERANCE	Mason	DATE	12.10.2013
APPD:	Schumi			FINISH	Jamy		Sheet No.		1 from 4

Customer:



P.C.B Layout



TACT SWITCH THT 6x6mm	
Part No.:	Q11114
Customer:	

DRW:	Jason	CHKD	Wilson	MATL:	Wilson	TOLERANCE	Mason	DATE	12.10.2013
APPD:	Schumi			FINISH	Jamy		Sheet No.	2 from 4	

www.edcon-components.com

email: info@edcon-components.com

Copyright by S.Tiede



Ordering Informations

Serie	Total height w. Body	Fill with 0	Operating Force	Polarisation Peg	Electrical life	Fill with 0	ROHS	Packing		
Q11114	043	X	090	N	104	XX	R	BU		

043 = 4,3mm	X = no function	090 = 90gr	N = without Peg	104 = 100000 Cycles	XX = no function	N = non ROHS	BU = Bulk Ware
050 = 5,0mm		181 = 180gr		304 = 300000 Cycles		R = ROHS conform	TY = Tray Packing
		251 = 250gr					TR = Tape Reel Packing

**TACT SWITCH THT
 6x6mm**

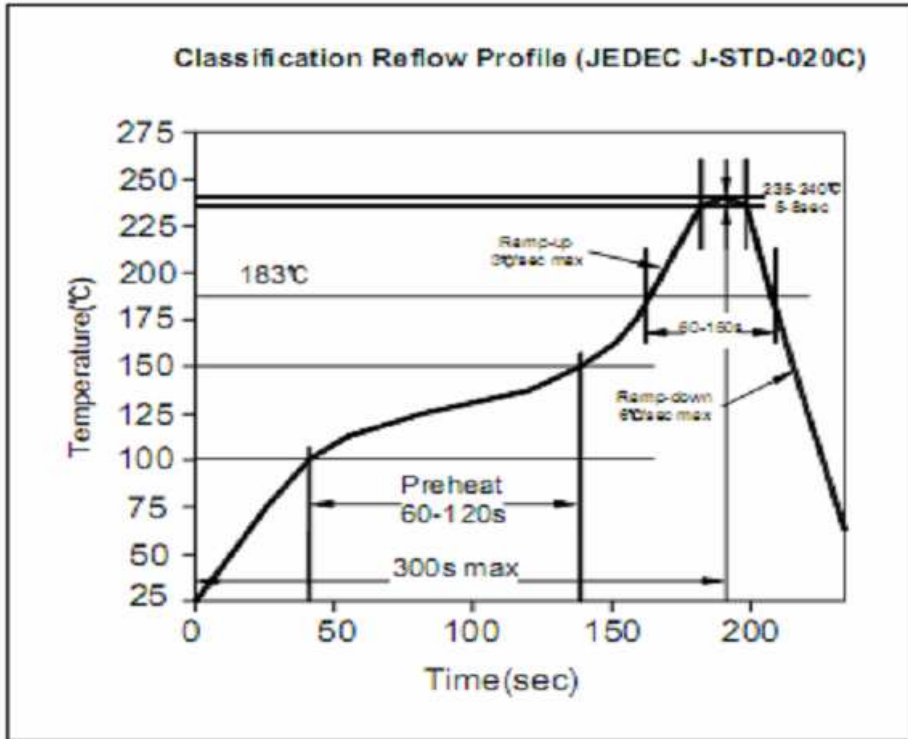
Part No.: **Q11114**

DRW:	Jason	CHKD	Wilson	MATL:	Wilson	TOLERANCE	Mason	DATE	12.10.2013
APPD:	Schumi			FINISH	Jamy		Sheet No.		3 from 4

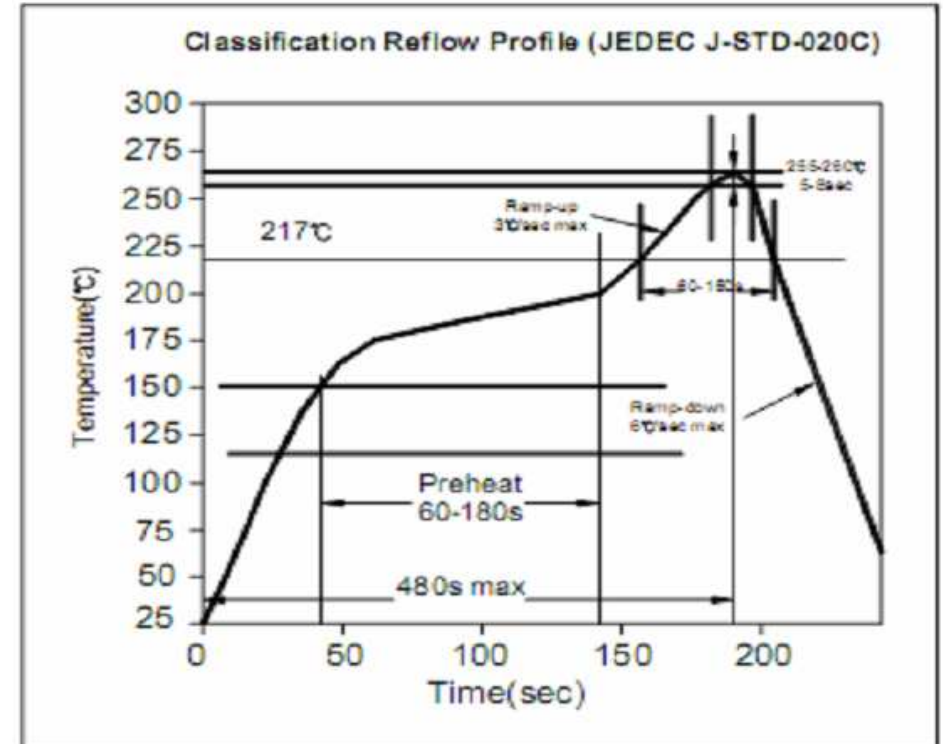
Customer:



Soldering Profile for Lead Soldering



Soldering Profile for Lead Free Soldering



**TACT SWITCH THT
 6x6mm**

Part No.: **Q11114**

Customer:

DRW:	Jason	CHKD	Wilson	MATL:	Wilson	TOLERANCE	Mason	DATE	12.10.2013
APPD:	Schumi			FINISH	Jamy		Sheet No.		4 from 4