

EDCON-COMPONENTS



SPECIFICATION:

Circuit: SPST
 Function: Momentary
 Current Rating: 50mA
 Voltage Rating: 12 VDC
 Dielectric withstanding Volt: 250VAC for 1 minute

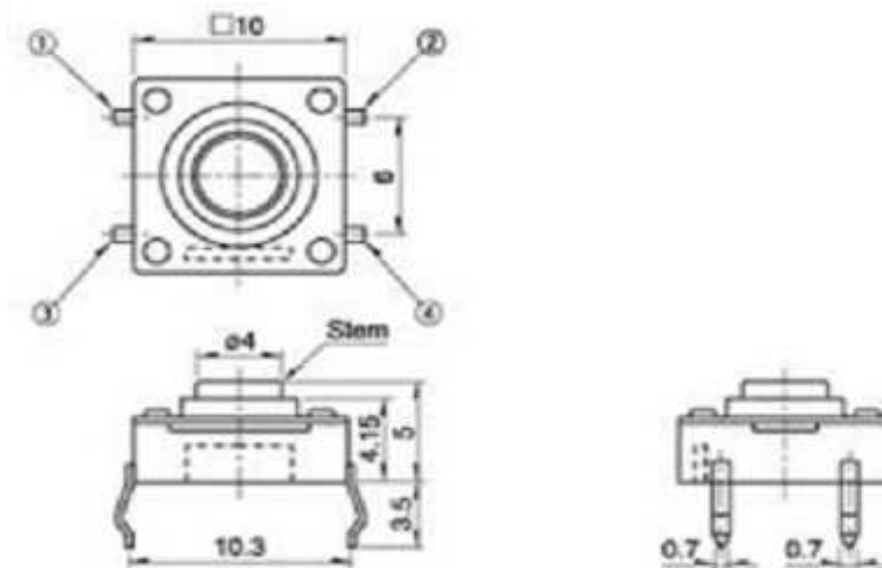
Insulation resistance: 500M Ω min.
 Operating Force: look order code
 Total travel: 0,3mm +/- 0,1mm
 Operating lifetime: look order code
 Operating Temperature: -40°C ~ +90°C
 Storage Temperature:

Material:
 Contact Material: Brass
 Contact Plating: silver or tin plated
 Contact resistance: 100m Ω max.
 Body: Nylon 66 UL rated 94V-2
 Frame: Nylon 66 UL rated 94V-2
 Cap: Metal

Illuminated: No
 Illuminated colors: look order code

| | Vertical | Horizontal |
|----------------------|----------|------------|
| Temperature of Water | 60°C | 60°C |
| Depth of Water | 10cm | 10cm |
| Immersion duration | 240h | 1h |

Drawing

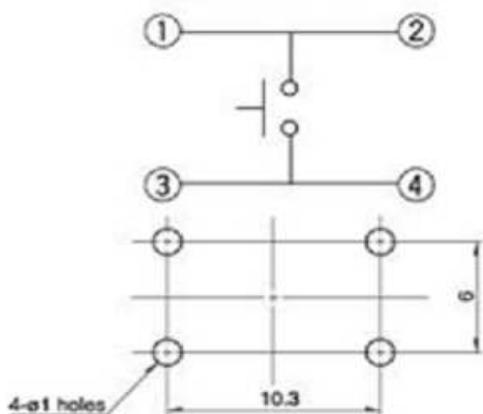


| | |
|---|---------------|
| TACT SWITCH THT 10x10mm Waterproof | |
| Part No.: | Q11112 |
| Customer: | |

| | | | | | | | | | |
|-------|--------|------|--------|--------|--------|-----------|-----------|------|------------|
| DRW: | Jason | CHKD | Wilson | MATL: | Wilson | TOLERANCE | Mason | DATE | 12.10.2013 |
| APPD: | Schumi | | | FINISH | Jamy | | Sheet No. | | 1 from 4 |



P.C.B Layout



| | |
|---------------------------|---------------|
| TACT SWITCH THT | |
| 10x10mm Waterproof | |
| Part No.: | Q11112 |
| Customer: | |

| | | | | | | | | | |
|-------|--------|------|--------|--------|--------|-----------|-----------|----------|------------|
| DRW: | Jason | CHKD | Wilson | MATL: | Wilson | TOLERANCE | Mason | DATE | 12.10.2013 |
| APPD: | Schumi | | | FINISH | Jamy | | Sheet No. | 2 from 4 | |

www.edcon-components.com

email: info@edcon-components.com

Copyright by S.Tiede



Ordering Informations

| Serie | Total height w. Body | Fill with 0 | Operating Force | Polarisation Peg | Electrical life | Fill with | ROHS | Packing | | |
|---------------|----------------------|-------------|-----------------|------------------|-----------------|-----------|----------|-----------|--|--|
| Q11112 | 050 | X | 181 | N | 104 | XX | R | BU | | |

| | | | | | | | |
|--------------------|--|--------------------|------------------------|----------------------------|--|-------------------------|--------------------------|
| 050 = 5,0mm | | 181 = 180gr | N = without Peg | 104 = 100000 Cycles | | N = non ROHS | BU = Bulk Ware |
| | | 251 = 250gr | | | | R = ROHS conform | TY = Tray Packing |
| | | | | | | | TU = Tube Packing |
| | | | | | | | |
| | | | | | | | |

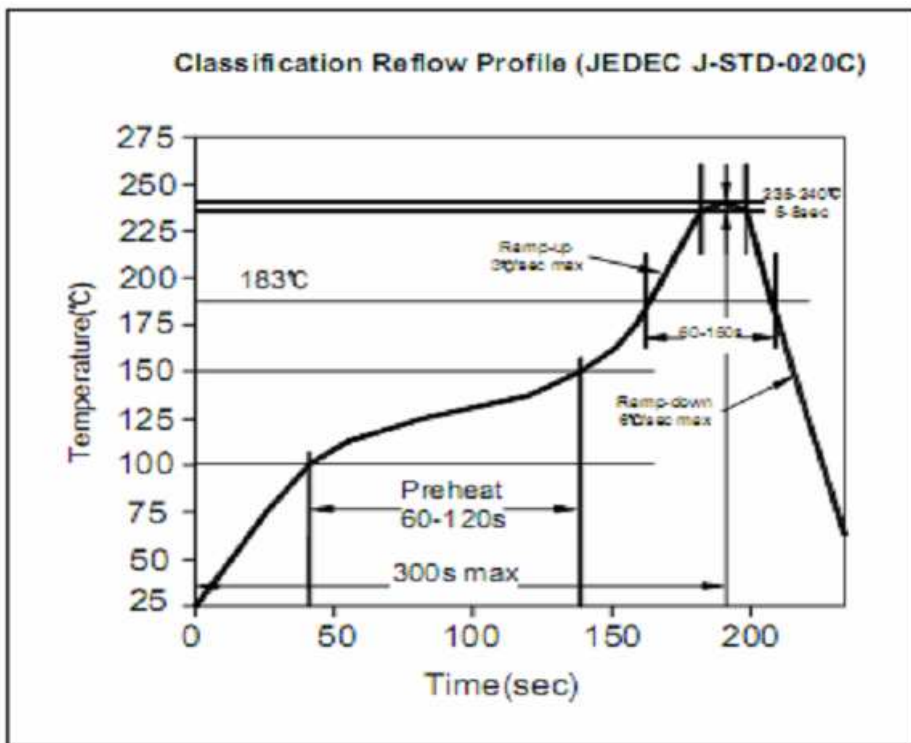
| |
|--|
| |
| |
| |

| | |
|---|---------------|
| TACT SWITCH THT 10x10mm Waterproof | |
| Part No.: | Q11112 |
| Customer: | |

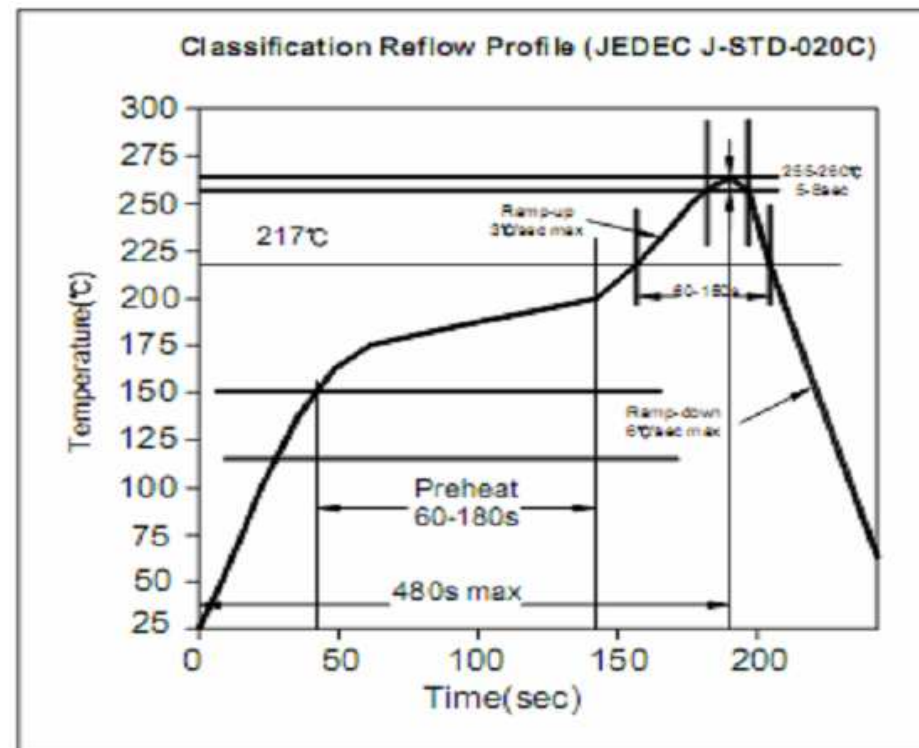
| | | | | | | | | | |
|-------|--------|------|--------|--------|--------|-----------|-----------|------|------------|
| DRW: | Jason | CHKD | Wilson | MATL: | Wilson | TOLERANCE | Mason | DATE | 12.10.2013 |
| APPD: | Schumi | | | FINISH | Jamy | | Sheet No. | | 3 from 4 |



Soldering Profile for Lead Soldering



Soldering Profile for Lead Free Soldering



| | |
|---|---------------|
| TACT SWITCH THT 10x10mm Waterproof | |
| Part No.: | Q11112 |
| Customer: | |

| | | | | | | | | | |
|-------|--------|------|--------|--------|--------|-----------|-----------|------|------------|
| DRW: | Jason | CHKD | Wilson | MATL: | Wilson | TOLERANCE | Mason | DATE | 12.10.2013 |
| APPD: | Schumi | | | FINISH | Jamy | | Sheet No. | | 4 from 4 |