

EDCON-COMPONENTS



SPECIFICATION:

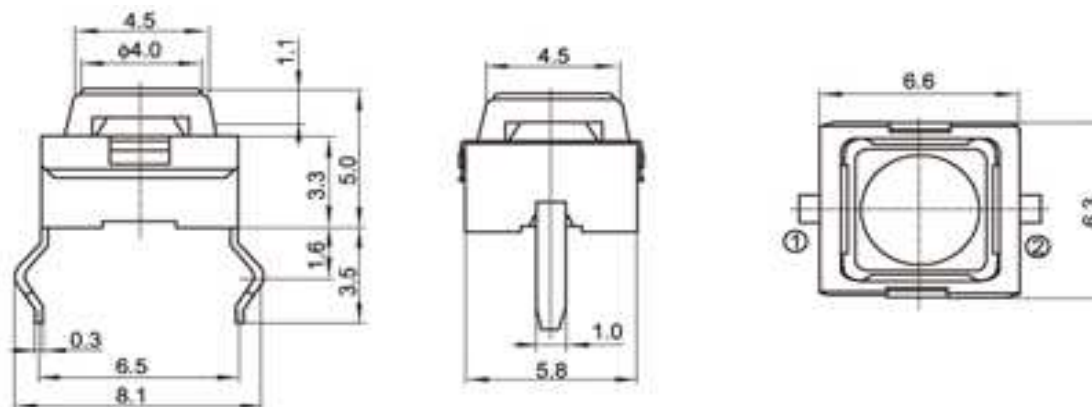
Circuit: SPST
 Function: Momentary
 Current Rating: 50mA
 Voltage Rating: 12 VDC
 Dielectric withstanding Volt: 250VAC for 1 minute

Insulation resistance: 100M Ω min.
 Operating Force: look order code
 Total travel: 1,10mm +/- 0,1mm
 Operating lifetime: look order code
 Operating Temperature: -40°C ~ +85°C
 Storage Temperature:

Material:
 Contact Material: Brass
 Contact Plating: silver or tin plated
 Contact resistance: 100m Ω max.
 Body: Nylon 66 UL rated 94V-2
 Frame: Nylon 66 UL rated 94V-2
 Cap: PC

Illuminated: No
 Illuminated colors: look order code

Drawing



**TACT SWITCH THT
6x6mm**

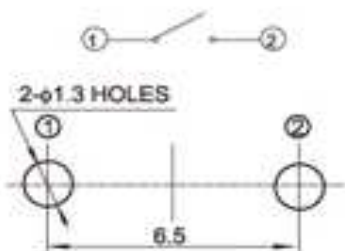
Part No.: **Q11111**

DRW:	Jason	CHKD	Wilson	MATL:	Wilson	TOLERANCE	Mason	DATE	12.10.2013
APPD:	Schumi			FINISH	Jamy		Sheet No.		1 from 4

Customer:



P.C.B Layout



TACT SWITCH THT 6x6mm	
Part No.:	Q11111
Customer:	

DRW:	Jason	CHKD	Wilson	MATL:	Wilson	TOLERANCE	Mason	DATE	12.10.2013
APPD:	Schumi			FINISH	Jamy		Sheet No.	2 from 4	

www.edcon-components.com

email: info@edcon-components.com

Copyright by S.Tiede



Ordering Informations

Serie	Total height w. Body	Fill with 0	Operating Force	Polarisation Peg	Electrical life	Led Colour	ROHS	Packing		
Q11111	050	X	131	N	503	XX	R	BU		

050 = 5,0mm		131 = 130gr	N = without Peg	503 = 50000 Cycles	XX = without LED	N = non ROHS	BU = Bulk Ware
		251 = 250gr				R = ROHS conform	TY = Tray Packing
		321 = 320gr					TU = Tube Packing

TACT SWITCH THT 6x6mm	
Part No.:	Q11111
Customer:	

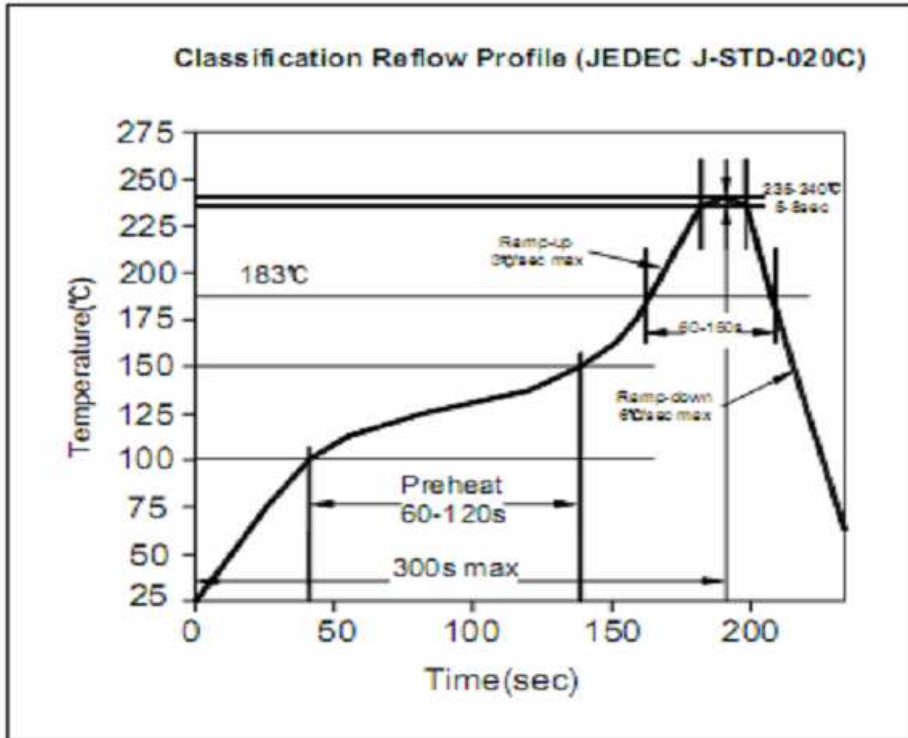
DRW:	Jason	CHKD	Wilson	MATL:	Wilson	TOLERANCE	Mason	DATE	12.10.2013
APPD:	Schumi			FINISH	Jamy		Sheet No.		3 from 4

www.edcon-components.com

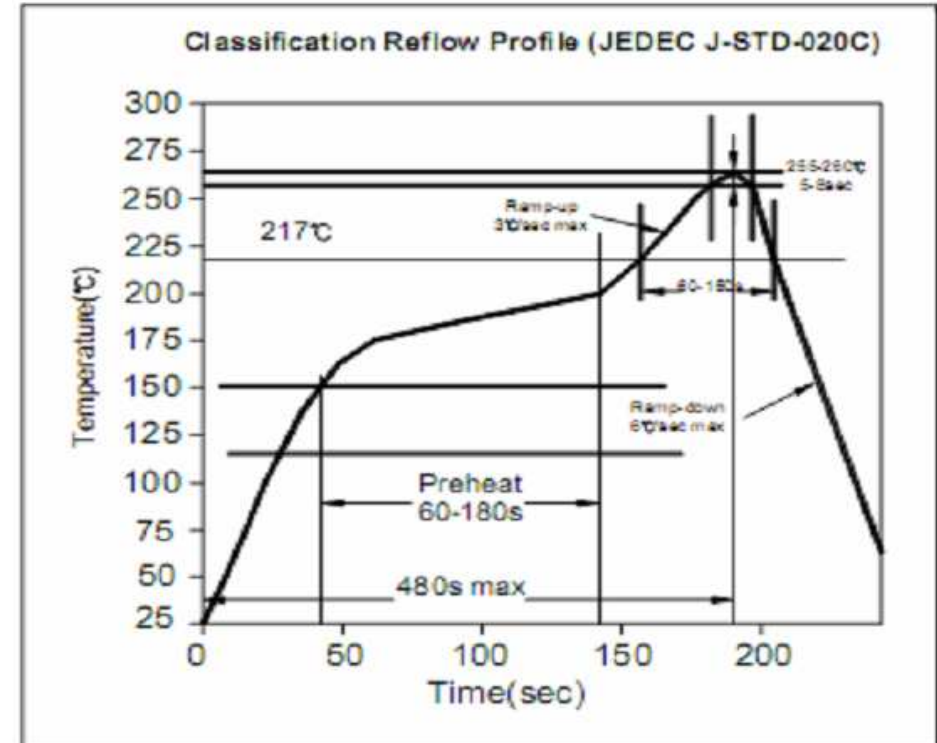
email: info@edcon-components.com



Soldering Profile for Lead Soldering



Soldering Profile for Lead Free Soldering



**TACT SWITCH THT
 6x6mm**

Part No.: **Q11111**

Customer:

DRW:	Jason	CHKD	Wilson	MATL:	Wilson	TOLERANCE	Mason	DATE	12.10.2013
APPD:	Schumi			FINISH	Jamy		Sheet No.		4 from 4