

EDCON-COMPONENTS



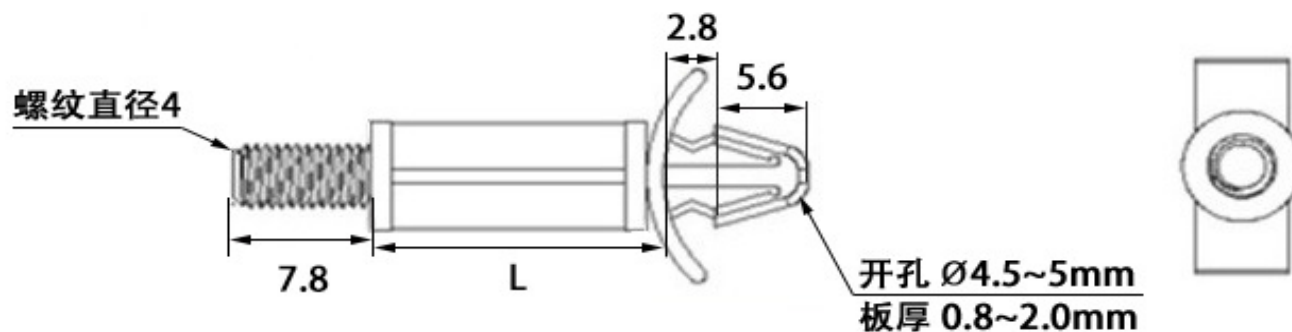
Technical Informations

Material: Nylon 66
 Flame Class: 94V-2 / V0
 Color: Natural
 Temperature Range: -40°C ~ +85°C

Hole Diameter

Hole 1 (+/-0,08mm): 4,5~5,0mm
 PCB Thickness Hole 1: 0,8~2,0mm
 Hole 2 (+/-0,08mm): Thread M4
 PCB Thickness Hole 2:

Dimension (mm)



Ordering Code Table (mm)

Order Code	L	Order Code	
A01	8,3	A16	
A02	11,6	A17	
A03	14,6	A18	
A04	18,0	A19	
A05	21,0	A20	
A06		A21	
A07		A22	
A08		A23	
A09		A24	
A10		A25	
A11		A26	
A12		A27	
A13		A28	
A14		A29	
A15		A30	

PCB Spacer	
Part No.:	N17143
Customer:	

DRW:	Jason	CHKD	Wilson	MATL:	Wilson	TOLERANCE	Mason	DATE	04.03.2019
APPD:	Schumi			FINISH	Jamy		Sheet No.		1 from 2

EDCON-COMPONENTS



Ordering Informations

Serie	Order Code table	Material	Color	ROHS	Packing					
N17143	A01	NY	WH	R	BU					

A01= Length	NY= Nylon		R= ROHS Conform	BU= Bulk-Ware					
		WH= White	N= NON ROHS Conform	IV= Individual Packing					

PCB Spacer	
Part No.:	N17143
Customer:	

DRW:	Jason	CHKD	Wilson	MATL:	Wilson	TOLERANCE	Mason	DATE	04.03.2019
APPD:	Schumi			FINISH	Jamy			Sheet No.	2 from 2