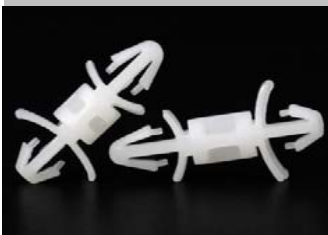


EDCON-COMPONENTS



Technical Informations

Material: Nylon 66
 Flame Class: 94V-2 / V0
 Color: Natural
 Temperature Range: -40°C ~ +85°C

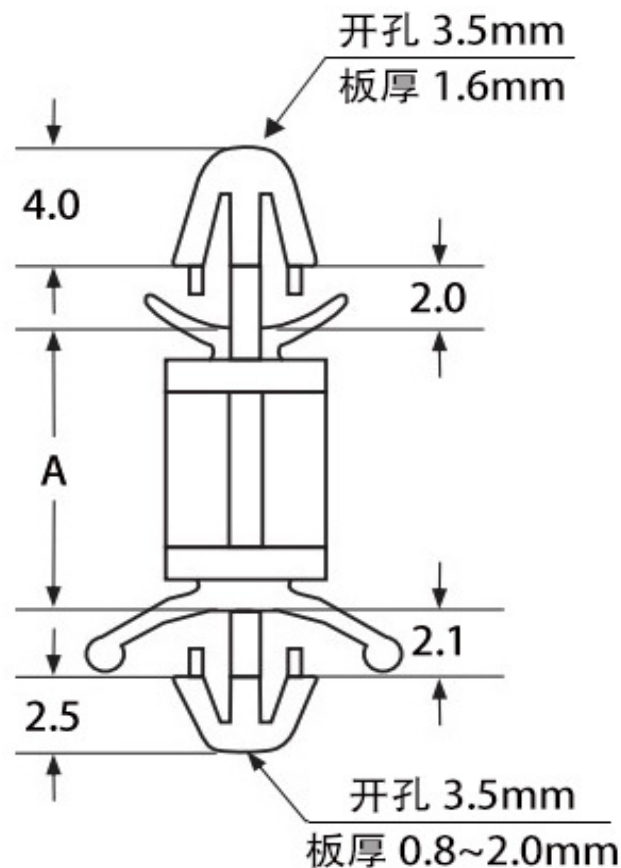
Hole Diameter

Hole 1 (+/-0,08mm) 3,5mm
 PCB Thickness Hole 1 1,6mm
 Hole 2 (+/-0,08mm) 3,5mm
 PCB Thickness Hole 2 0,8~2,0mm

Ordering Code Table (mm)

Order Code	A			
A01	3,2			
A02	4,0			
A03	4,8			
A04	6,4			
A05	7,0			
A06	8,0			
A07	9,6			
A08	11,2			
A09	12,7			
A10				
A11				
A12				
A13				
A14				
A15				

Dimension (mm)



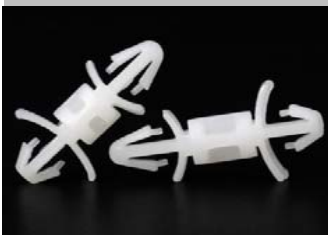
PCB Spacer

Part No.: **N17137**

Customer:

DRW:	Jason	CHKD	Wilson	MATL:	Wilson	TOLERANCE	Mason	DATE	04.03.2019
APPD:	Schumi			FINISH	Jamy		Sheet No.		1 from 2

EDCON-COMPONENTS



Ordering Informations

Serie	Order Code table	Material	Color	ROHS	Packing					
N17137	A01	NY	WH	R	BU					

A01= Length	NY= Nylon	WH= White	R= ROHS Conform	BU= Bulk-Ware			
			N= NON ROHS Conform	IV= Individual Packing			

PCB Spacer	
Part No.:	N17137
Customer:	

DRW:	Jason	CHKD	Wilson	MATL:	Wilson	TOLERANCE	Mason	DATE	04.03.2019
APPD:	Schumi			FINISH	Jamy		Sheet No.		2 from 2